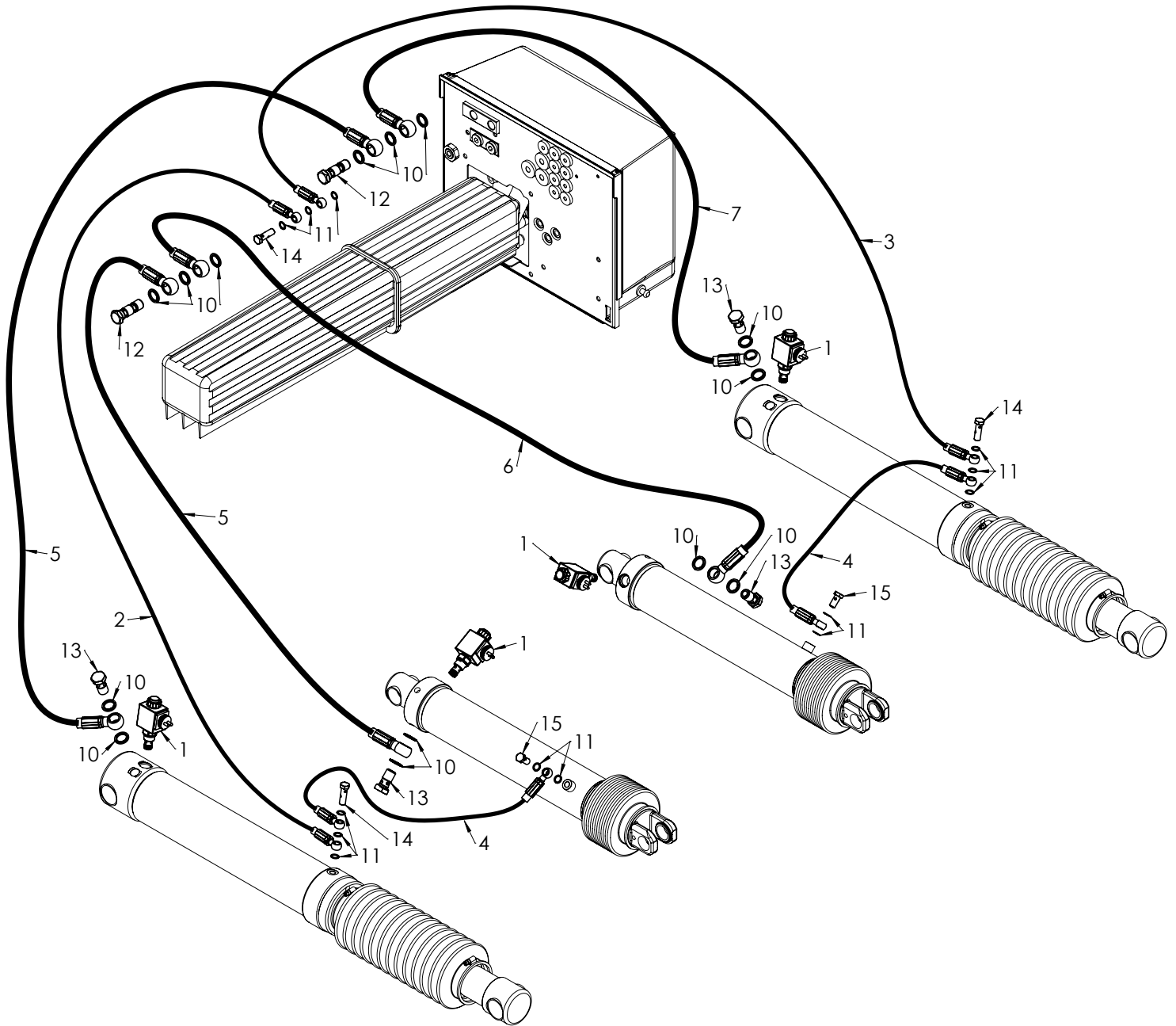
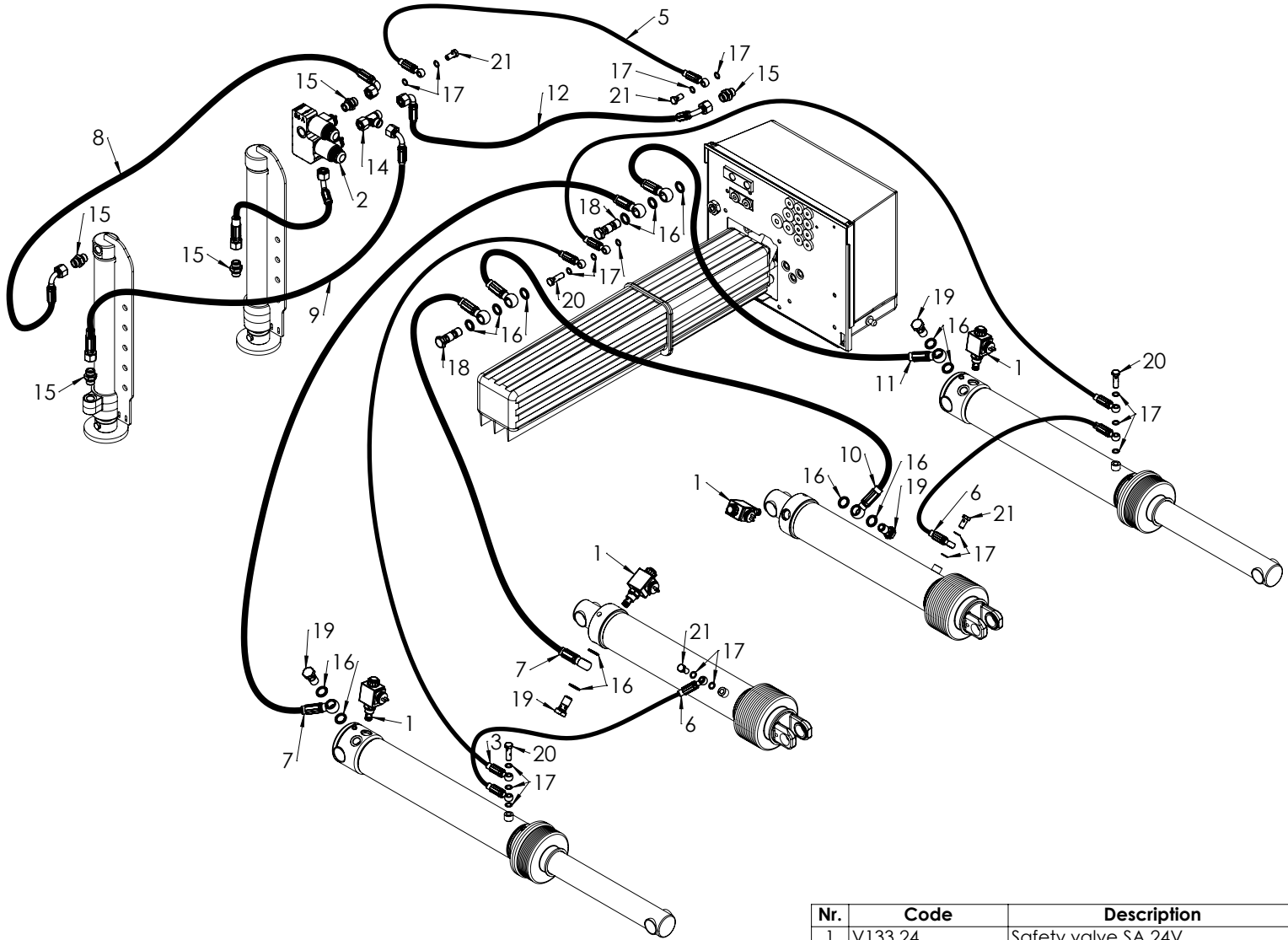


Nr.	Code	Description
1	XH.LM.30.04.CA.LE	Lift arm LM.30.04 + Snr
2	XF.LM.30.04.CA.O.VK	Frame LM.30.04 + Snr
3	MM.0.1818.375.S	Mounting plate set 180x180 - 375mm
4	M1840.30T	Bearing bush $\varnothing 40 \times 30 \text{mm}$
5	M1840.25T	Bearing bush $\varnothing 40 \times 25 \text{mm}$
6	M1835.30T	Bearing bush $\varnothing 35 \times 30 \text{mm}$
7	M1825.25T	Bearing bush $\varnothing 25 \times 25 \text{mm}$
8	M1740.096.P50.L	Pin $\varnothing 40 \times 96 \text{mm}$ 50cc
9	M1735.169.P35.D	Pin $\varnothing 35 \times 169 \text{mm}$ - 35cc
10	M1735.160.P50	Pin $\varnothing 35 \times 160 \text{mm}$ - 50cc
11	M1730.093.P50.L	Pin $\varnothing 30 \times 93 \text{mm}$ - 50cc
12	M1725.078.BO08	Pin $\varnothing 25 \times 78 \text{mm}$ - BO08
13	M1327.D	Swing bracket LM.30 -D-
13	M1327	Swing bracket LM.30 >2012
14	M1127.SSU	Plate hydr.stabilising leg SSU
15	M0502.180	Closing cap 180x180mm
16	CH51.R	Lift cylinder right CH51 + Snr
17	CH51.L	Lift cylinder left CH51 + Snr
18	GE.R.V02	Hydr.power pack left + Snr
18	GE.L.V02	Hydr.power pack left + Snr
19	CSD35.D	Tilt cylinder DA CSD35.D + Snr
19	CS27.D.R	Tilt cylinder right CS27 -D-
20	CAD14.D.R	Stabilising leg right CAD14.D + Snr
21	CAD14.D.L	Stabilising leg left CAD14.D + Snr



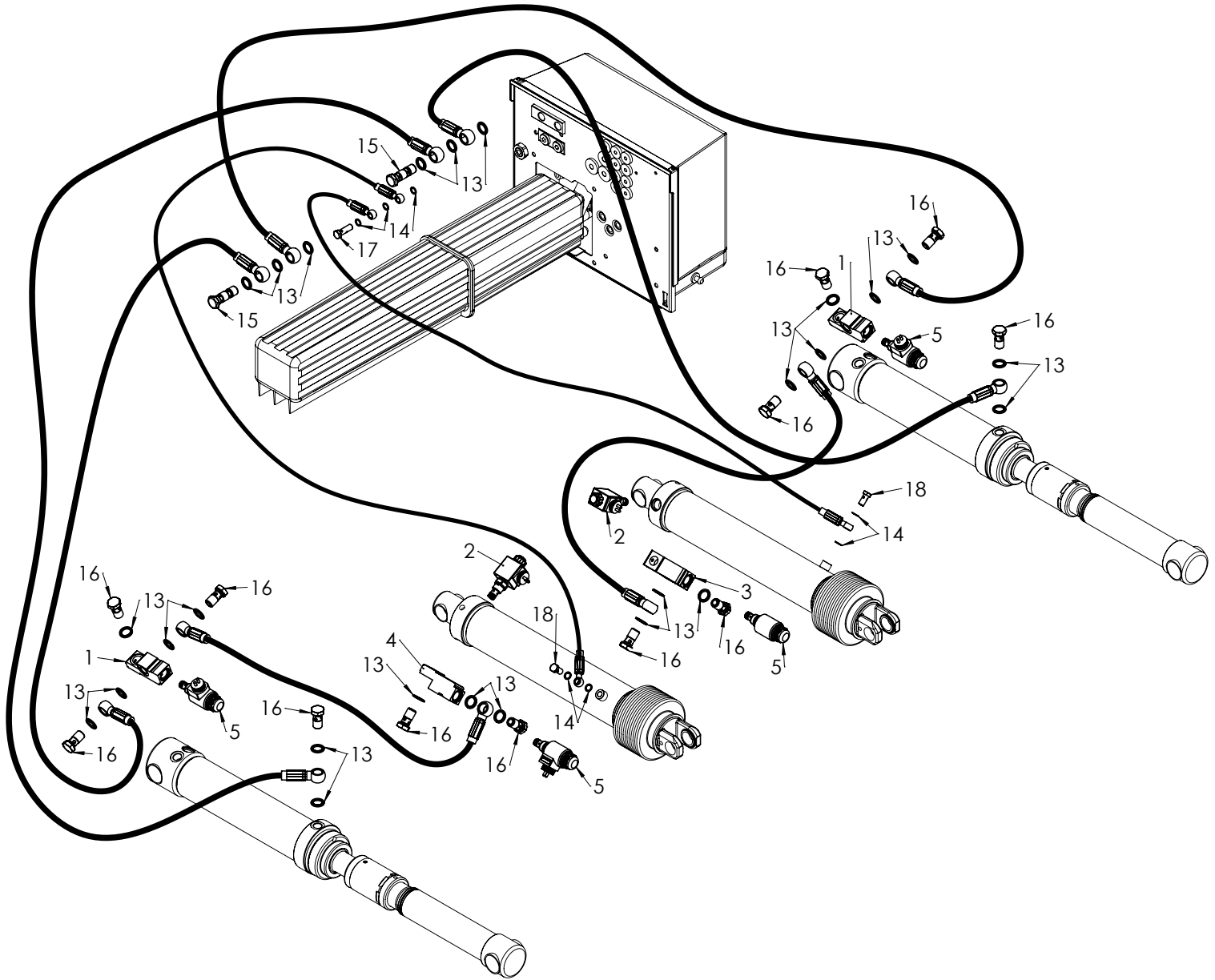
Nr.	Code	Description	
1	V133.24	Safety valve SA 24V	
1	V133.12	Safety valve SA 12V	
o	KSL3500.OO	LP hose E-E 3500mm	
*	KSL3100.OO	LP hose E-E 3100mm	
\$	KSL2900.OO	LP hose E-E 2900mm	
	3	KSL1600.OO	LP hose E-E 1600mm
	4	KSL0400.OO	LP hose E-E 400mm
o	5	KSH3200.OO	HP hose E-E 3200 mm
*	5	KSH2850.OO	HP hose E-E 2850 mm
\$	5	KSH2650.OO	HP hose E-E 2650 mm
	6	KSH1300.OO	HP hose E-E 1300mm
	7	KSH1200.OO	HP hose E-E 1200 mm
	10	K0700.3-8	Sealing ring 3/8"
	11	K0700.10x1	Sealing ring 10x1mm
	12	K0188	Banjo double 3/8"
	13	K0172	Banjo simple 3/8"
	14	K0112	Banjo double M10x1
	15	K0110	Banjo simple M10x1

	CA
o	1550
*	1300
\$	1150

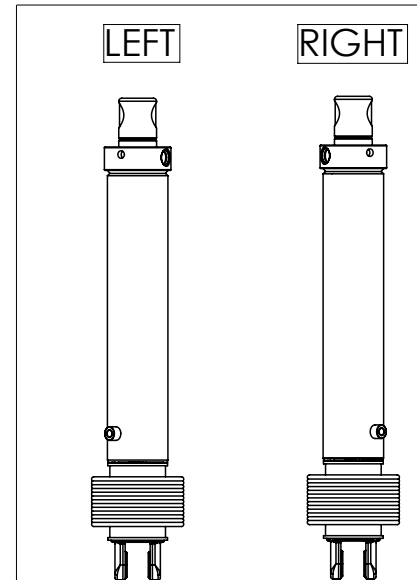
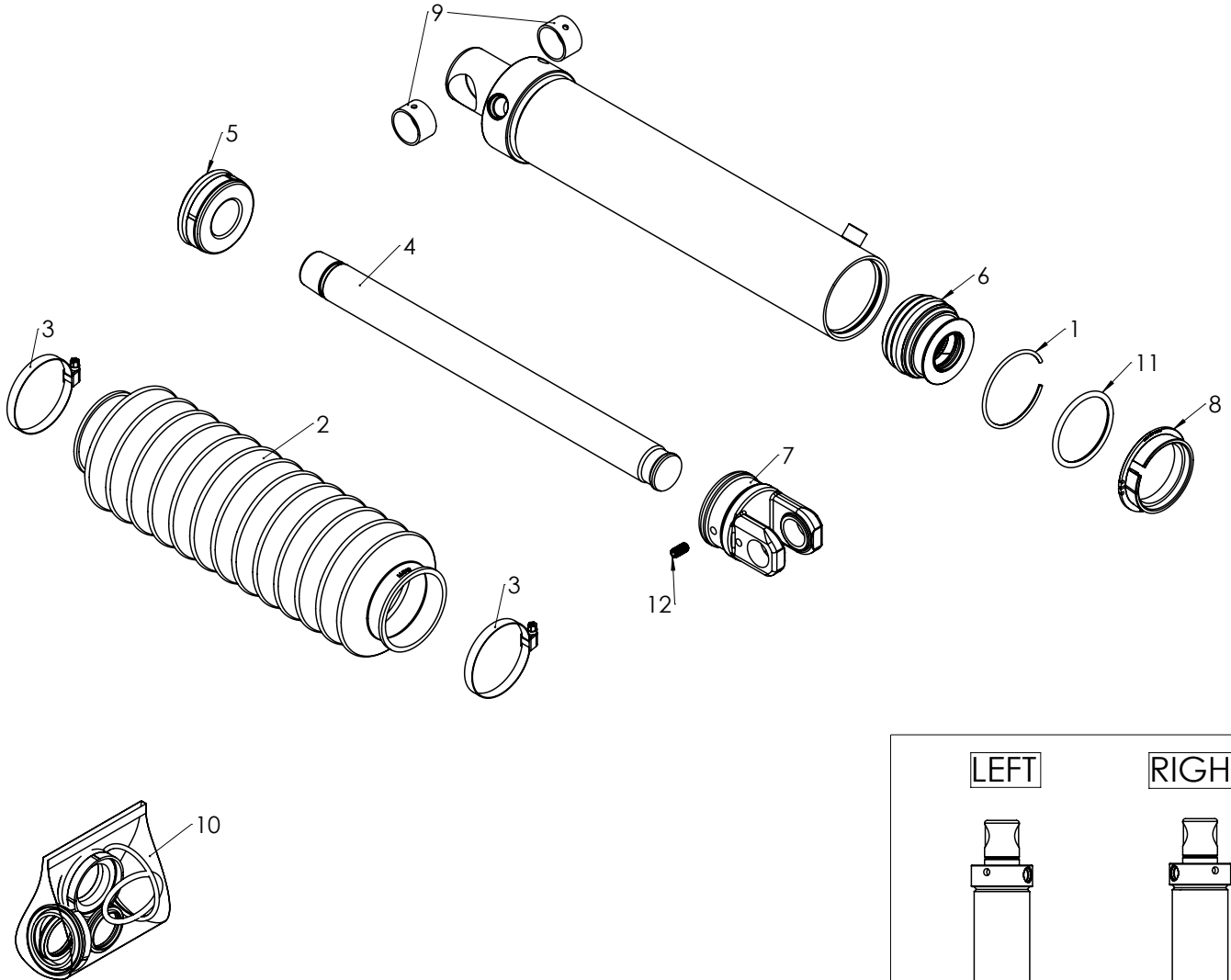


Nr.	Code	Description
1	V133.24	Safety valve SA 24V
1	V133.12	Safety valve SA 12V
2	V093	Valve hydr.stabilising leg
o	3	KSL3500.OO LP hose E-E 3500mm
*	3	KSL3100.OO LP hose E-E 3100mm
\$	3	KSL2900.OO LP hose E-E 2900mm
4	KSL1600.OO	LP hose E-E 1600mm
5	KSL0500.OO	LP hose E-E 500mm
6	KSL0400.OO	LP hose E-E 400 mm
o	7	KSH3200.OO HP hose E-E 3200 mm
*	7	KSH2850.OO HP hose E-E 2850 mm
\$	7	KSH2650.OO HP hose E-E 2650 mm
8	KSH2000.NN	HP hose N90°- N90° 2000mm
9	KSH1700.MN	HP hose N-N 90° 1700mm
10	KSH1300.OO	HP hose E-E 1300mm
11	KSH1200.OO	HP hose E-E 1200 mm
12	KSH0500.NN	HP hose N90°- N90° 500mm
13	KSH0500.MN	HP hose N-N 90° 500mm
14	K1213	Coupling adjustable T 12
15	K1201	Coupling straight 3/8"-12
16	K0700.3-8	Sealing ring 3/8"
17	K0700.10x1	Sealing ring 10x1mm
18	K0188	Banjo double 3/8"
19	K0172	Banjo simple 3/8"
20	K0112	Banjo double M10x1
21	K0110	Banjo simple M10x1

	CA
o	1550
*	1300
\$	1150

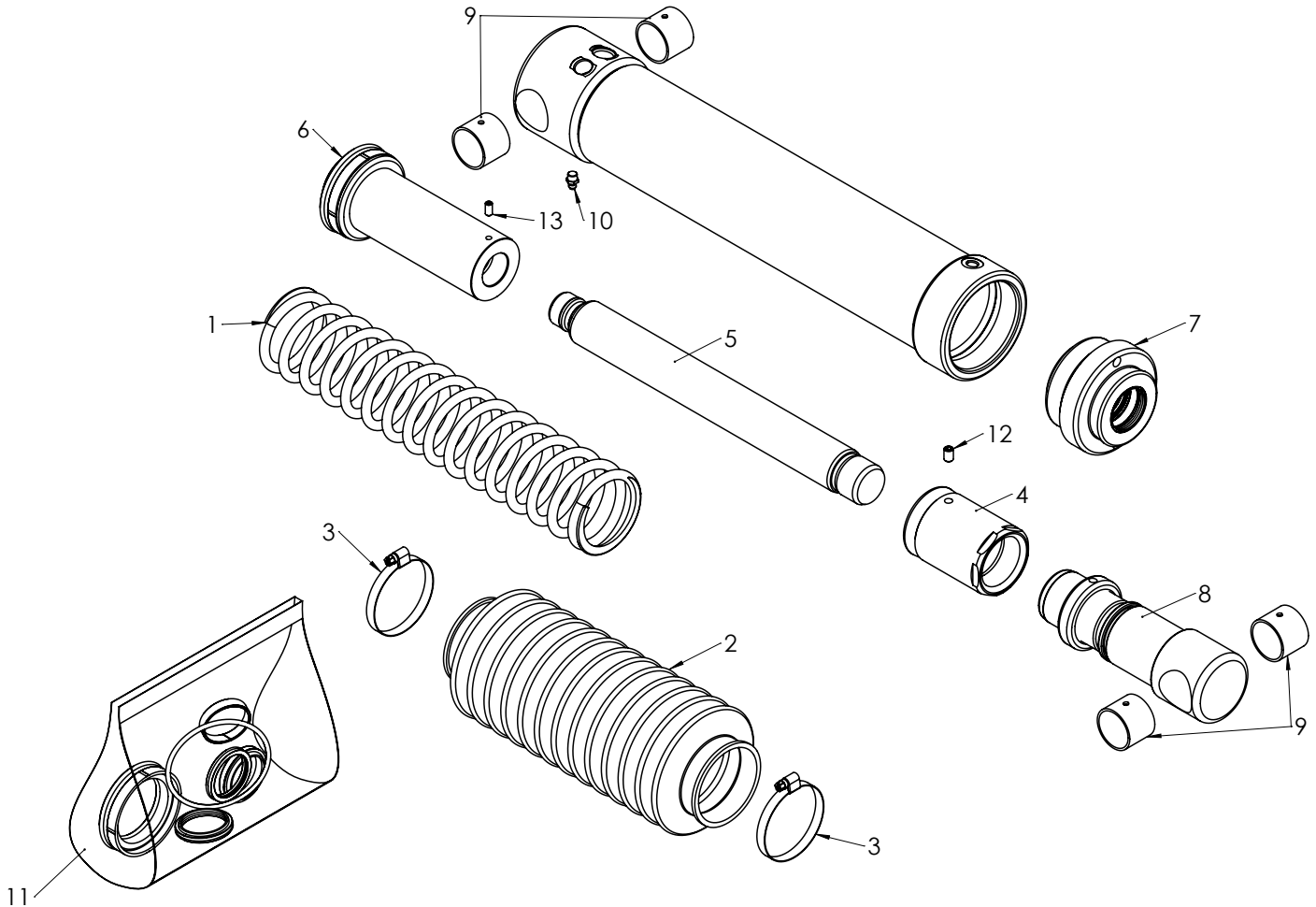


Nr.	Code	Description
1	V136	Block safety valve side L
2	V133.24	Safety valve SA 24V
2	V133.12	Safety valve SA 12V
3	V130.R	Block safety valve side R
4	V130.L	Block safety valve side L
5	V072.H	Safety valve DA 12V HYDAC
5	V071.H	Safety valve DA 24V HYDAC
6	KSL2900.OO	LP hose E-E 2900mm
7	KSL1500.OO	LP hose E-E 1500mm
8	KSH2850.OO	HP hose E-E 2850 mm
9	KSH2650.OO	HP hose E-E 2650 mm
10	KSH1400.OO	HP hose E-E 1400mm
11	KSH1200.OO	HP hose E-E 1200 mm
12	KSH0400.OO	HP hose E-E 400mm
13	K0700.3-8	Sealing ring 3/8"
14	K0700.10x1	Sealing ring 10x1mm
15	K0188	Banjo double 3/8"
16	K0172	Banjo simple 3/8"
17	K0112	Banjo double M10x1
18	K0110	Banjo simple M10x1

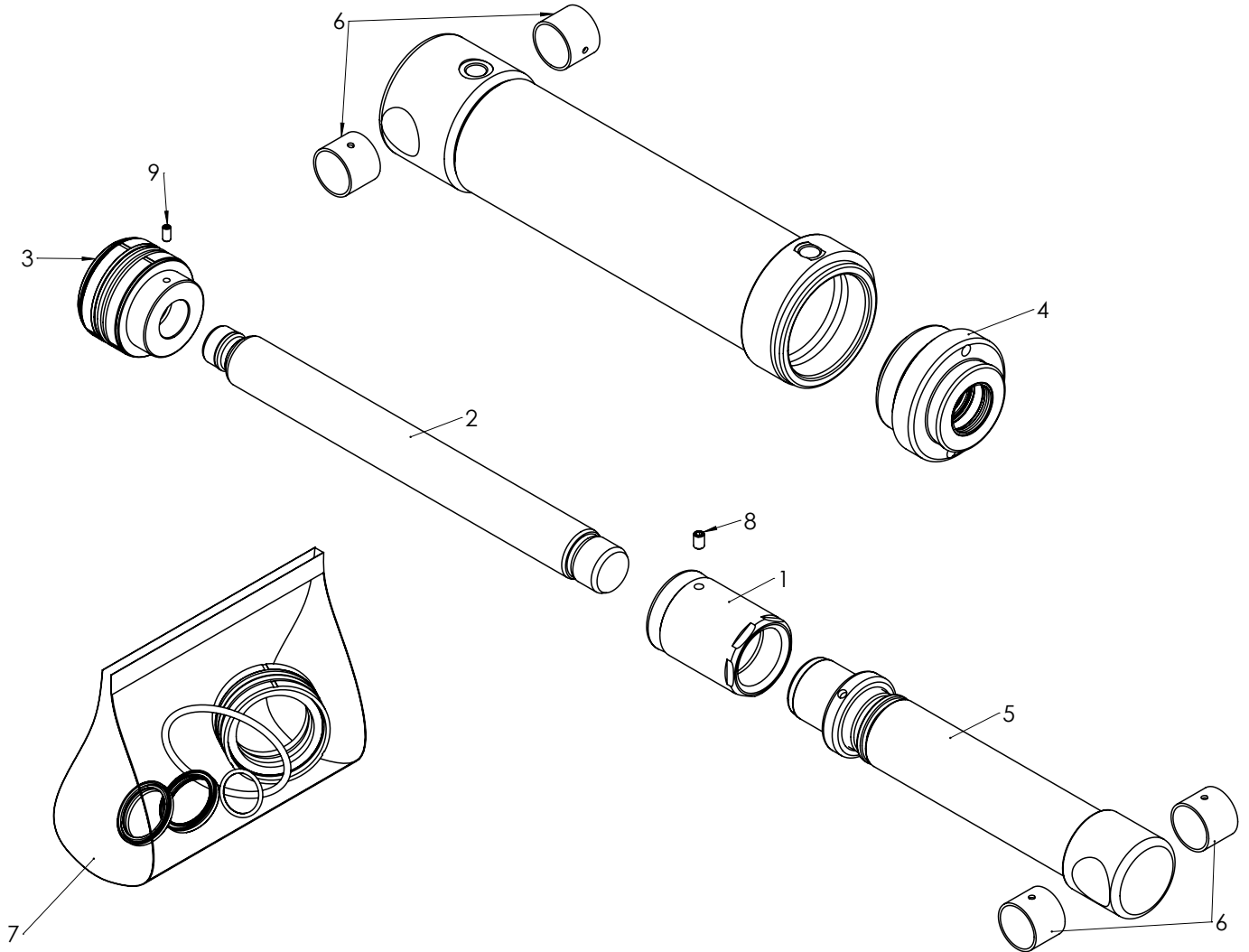


Nr.	Code	Description
1	VRX085.80	Spring ring ø80 mm
1	VRX085.60	Spring ring ø60mm
1	VRX085.70	Spring ring ø70
2	M4929	Rubber sleeve 70x70
3	M4901.070	Collar ø70
4	M4635.405	Rod OK311 D72 ø35x435mm
4	M4640.434	Rod OK310 ø40x434mm
4	M4635.503	Rod lift cylinder ø35x503mm
4	M4635.435	Rod OK311 D72 ø35x435mm
5	M4440.080	Piston SA ø80-40
5	M4435.070	Piston SA ø70-35
5	M4435.060	Piston SA ø60-35
6	M4240.080.AP	Cilinderkop ø80-40 -AP-
6	M4235.070.AP	Cylinder head ø70/35 AP
6	M4235.070.AC	Cylinder head with circlip ø70-35

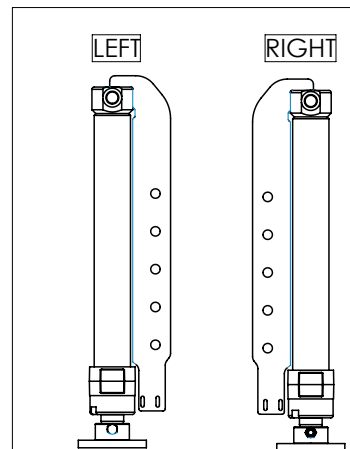
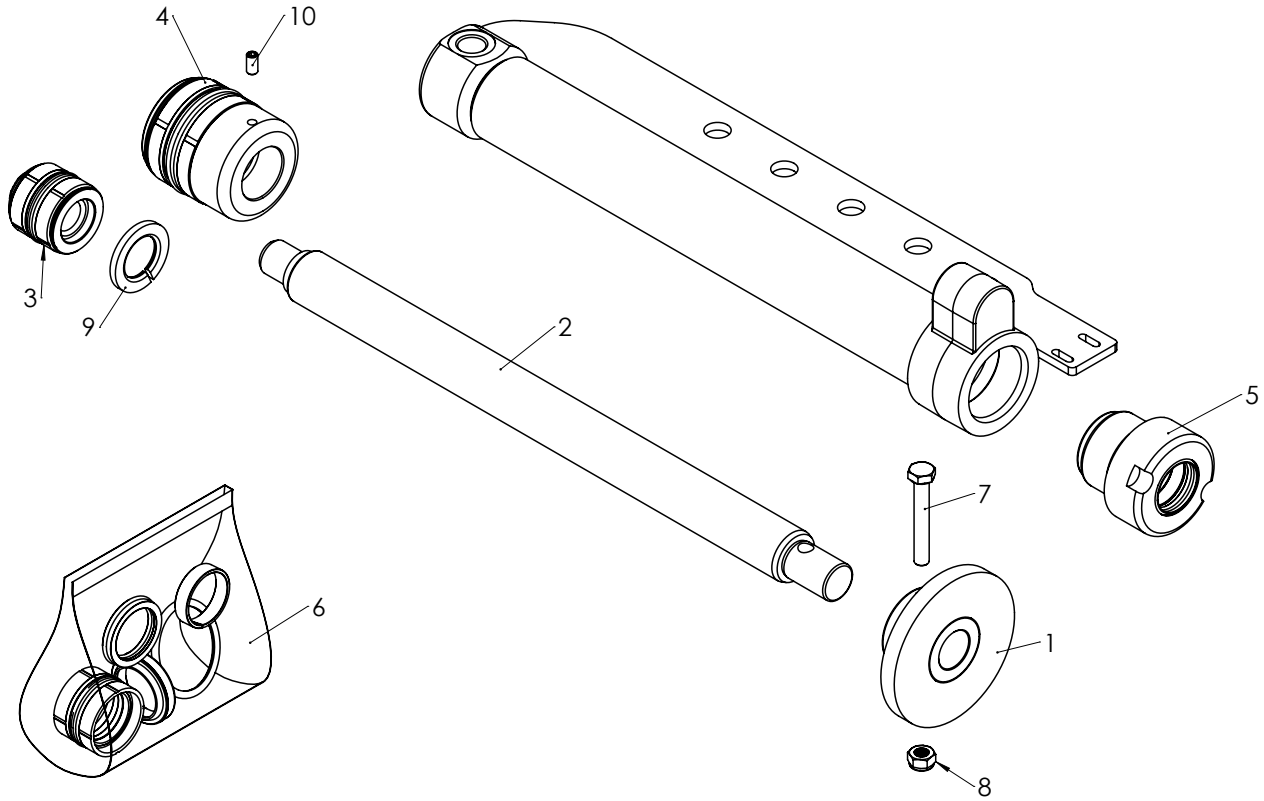
Nr.	Code	Description
6	M4235.060.AC	Cylinder head with circlip ø60-35 AC
7	M4107.070.25.35.25.F	Fork rod ø35F L=70 (arm 25)
7	M4102.070.25.35.25.F	Fork rod ø35F L=70 (arm 25)
8	M1991.57	Ring cylinder dia 80
8	M1979.57	Ring cylinder Dia 70
8	BC52.983	Locking ring DIN983 ø52
9	M1830.20T	Bearing bush ø30x20mm
10	DSE080.40	Seal set SA ø80-40
10	DSE070.35	Seal set SA ø70-35
10	DSE060.35	Seal set SA ø60-35
11	DO072.5	O-ring 72x5 mm
11	DO062.5	O-ring ø62x5
11	DO052.5	O-ring ø52x5
12	BB08.16	Allenbolt headless M8x16



Nr.	Code	Description
1	VRD011	Pressure spring BD=78 L=385 DD=8.5mm
2	M4929	Rubber sleeve 70x70
3	M4901.070	Collar ø70
4	M4821.B	Adjustment bush extension M37
5	M4645.493	Rod SKSV317 ø45x493mm
5	M4645.433	Rod SKSV297 ø45x433
5	M4640.433.B	Rod SKV266 ø40x433mm 2009>..
5	M4640.373.B	Rod SKS236 ø40x373mm 2009>..
6	M4407.090	Piston SA SKSV ø90 >2008
6	M4407.080	Piston SA SKSV ø80 >2008
7	M4245.090.AG	Cylinder head ø90-45mm
7	M4240.090.AG	Cylinder head guide ø90-40
7	M4240.080.AG	Cylinder head guide ø80-40
8	M4054.LE	Adjustable extension LSU ...mm
9	M1835.30T	Bearing bush ø35x30mm
10	M1701	Grease nipple M8
11	DSE090.45	Seal set SA ø90-45
11	DSE090.40.B	Seal set SA ø90-40
11	DSE080.40.B	Seal set SA ø80/40 -B-
12	BB08.12	Allenbolt headless M8x12
13	BB06.12.PC	Allenbolt headless M6x12 PC

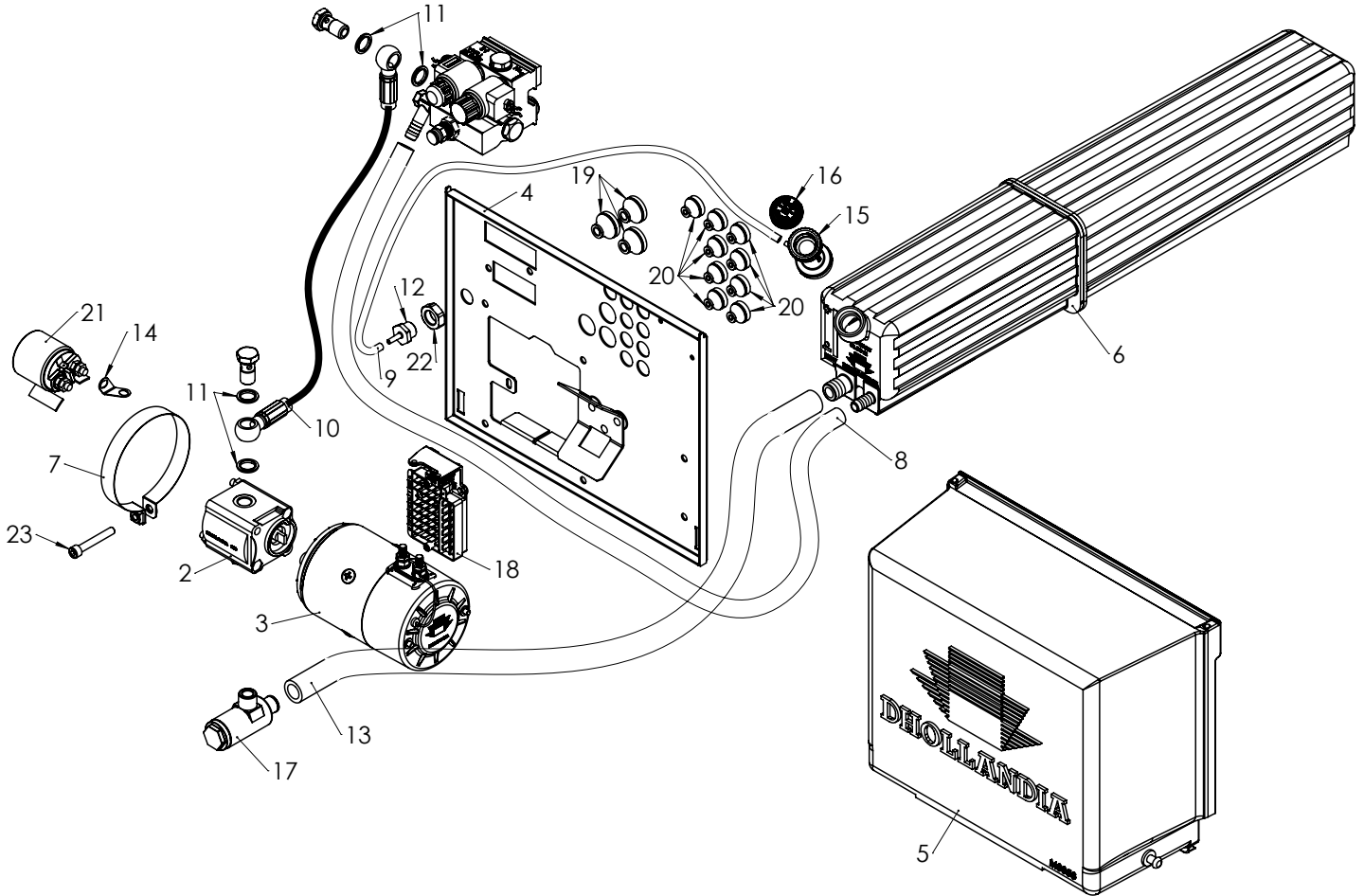


Nr.	Code	Description
1	M4821.B	Adjustment bush extension M37
2	M4640.471.B	Rod tilt cylinder ø40x471mm -B-
2	M4640.411.B	Rod bolt-on ø40x411mm
3	M4503.090	Piston DA ø90 2008-..
3	M4503.080	Piston DA ø80 2008-..
4	M4245.090.AG	Cylinder head ø90-45mm
4	M4240.090.AG	Cylinder head guide ø90-40
4	M4240.080.AG	Cylinder head guide ø80-40
5	M4054.LE	Adjustable extension LSU 325mm
6	M1835.30T	Bearing bush ø35x30mm
7	DSD090.45	Seal set DA 90-45
7	DSD090.40	Seal set DA 40-90
7	DSD080.40	Seal set DA 40-80
8	BB08.12	Allenbolt headless M8x12
9	BB06.12.PC	Allenbolt headless M6x12 PC



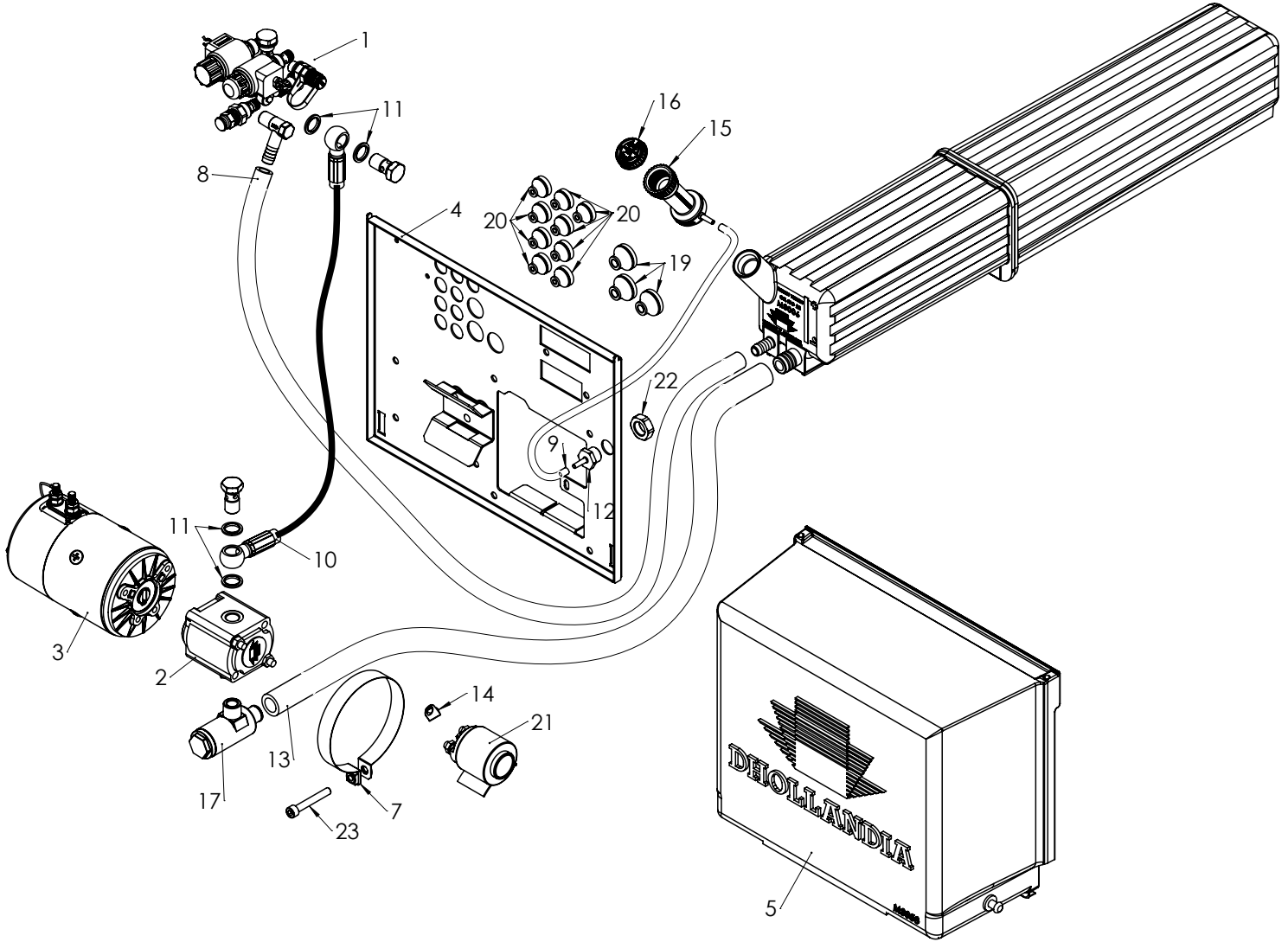
Nr.	Code	Description
1	M4892.D.30	Foot hydr.stabilising leg CAD14 ø30
1	M4892.D.40	Foot hydr.stabilising leg CAD14 ø40
2	M4640.480.B	Rod cylinder ø40x480mm -B-
2	M4640.405	Rod cylinder ø40x405mm
2	M4630.425	Rod cylinder CAD14 ø30x425mm
3	M4535.040	Piston DA DKB ø40
4	M4503.060	Piston DA ø60

Nr.	Code	Description
5	M4240.060.AG	Cylinder head SA ø60-40
5	M4230.040.AG	Cylinder head guide ø40-30
6	DSD060.40	Seal set DA ø60-40
6	DSD040.30	Seal set DA ø40-30
7	BT08.055	Bolt M8x55
8	BMB08	Locking nut M8
9	BC24.3	Spring washer M24 NMG452
10	BB06.12.PC	Allenbolt headless M6x12 PC



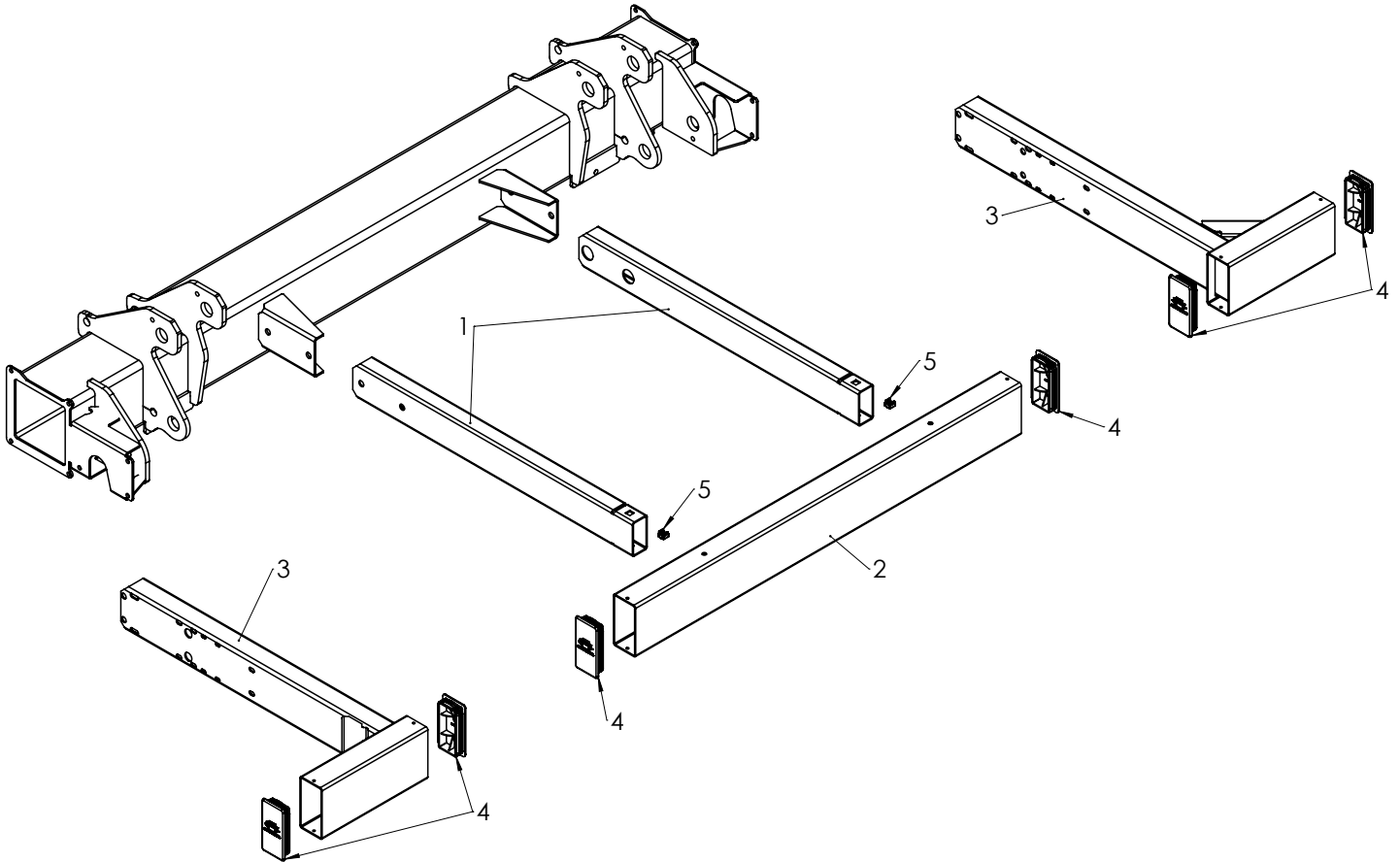
Nr.	Code	Description
1	V166.L.CFG	Valve Power Pack Left LM.20
2	P030	Pump 1.7cc
3	MP027	Motor 12V 2000W
3	MP025	Motor 24V 2000W
4	M3117.D.L	case power pack left LM.30
4	M3117.B.L	Case power pack left LM.20 -B-
5	M3058	Cover power pack 400-180 2010
6	M3007	Tank left 150 - 5L
7	M0119	Collar motor 2000W
8	KSL0340.1-2	LP hose 1/2" - 200mm
9	KSL0170.3-16	LP hose 3/16 170 mm
10	KSH0370.OO	HP hose E-E 950 mm

Nr.	Code	Description
11	K0700.3-8	Sealing ring 3/8"
12	K0216	Coupling return hose M18x1.5mm
13	K0088.60	Suction hose pump ESU
14	GP081.R	Junction Plate Motor PH2
15	F023	Extension tank incl. F024
16	F022.OG	Air release cap orange 3/4
17	F020	Filter compl. >2008..
18	E2051	Connection block hydr.power pack >2010
19	E0793.M25	Lead through rubber E0793
20	E0793	Lead through rubber E0793
21	E0059.M	Starting relay motor 150A 12V
21	E0058.M	Starting relay motor 150A 24
22	BMZ18.L	Nut low M18
23	BI08.055	Allenbolt with head M8x55

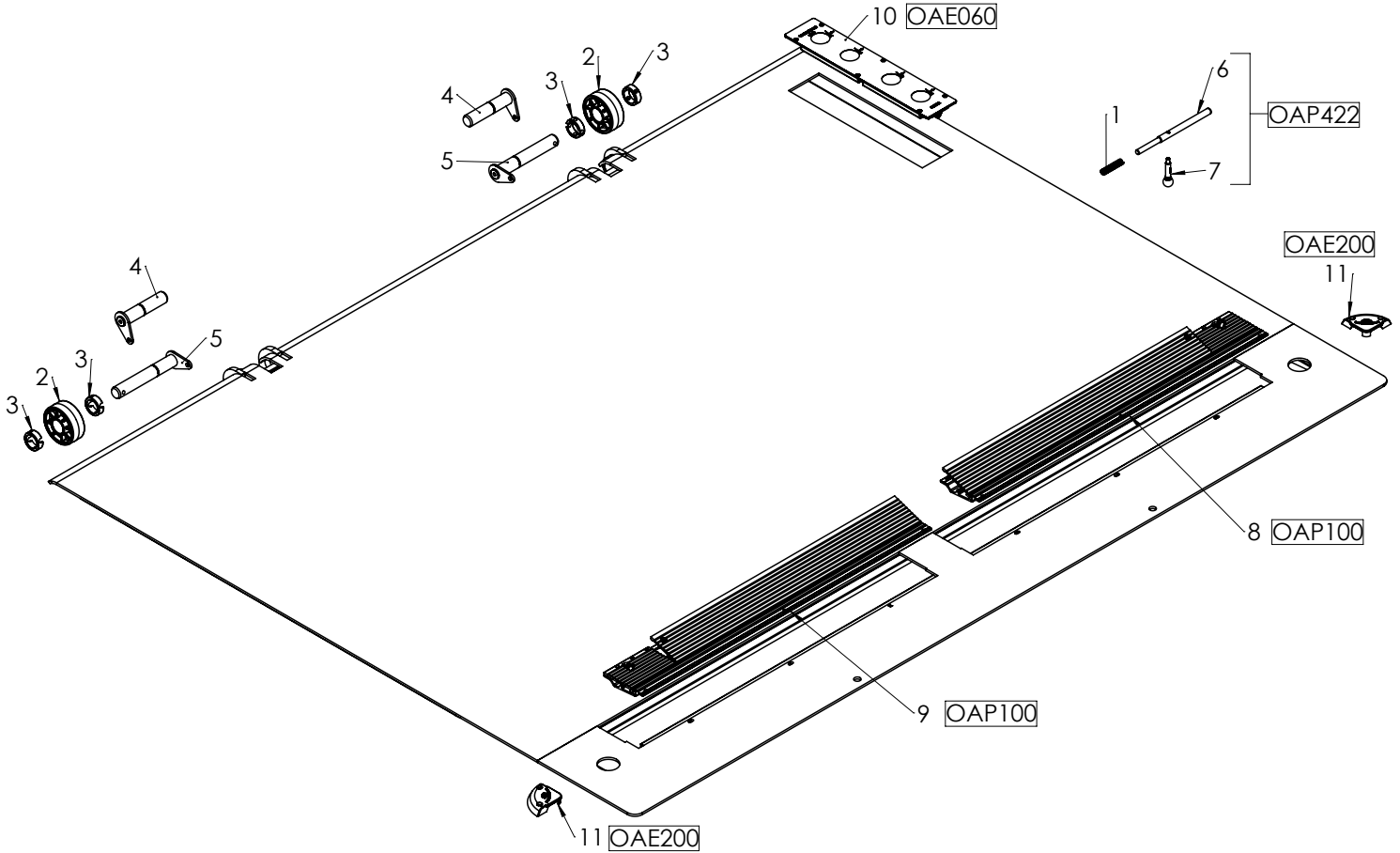


Nr.	Code	Description
1	V166.R.CFG	Valve Power Pack Right LM.20
2	P030	Pump 1.7cc
3	MP027	Motor 12V 2000W
3	MP025	Motor 24V 2000W
4	M3117.D.R	case power pack right LM.20 - 2Kw
4	M3117.B.R	Case power pack right LM.20 -B-
5	M3058	Cover power pack 400-180 2010
6	M3006	Tank right 150 - 5L
7	M0119	Collar motor 2000W
8	KSL0340.1-2	LP hose 1/2" - 200mm
9	KSL0170.3-16	LP hose 3/16 170 mm
10	KSH0370.OO	HP hose E-E 950 mm

Nr.	Code	Description
11	K0700.3-8	Sealing ring 3/8"
12	K0216	Coupling return hose M18x1.5mm
13	K0088.60	Suction hose pump ESU
14	GP081.L	Junction Plate Motor PH2
15	F023	Extension tank incl. F024
16	F022.OG	Air release cap orange 3/4
17	F020	Filter compl. >2008..
18	E2051	Connection block hydr.power pack >2010
19	E0793.M25	Lead through rubber E0793
20	E0793	Lead through rubber E0793
21	E0059.M	Starting relay motor 150A 12V
21	E0058.M	Starting relay motor 150A 24
22	BMZ18.L	Nut low M18
23	BI08.055	Allenbolt with head M8x55



Nr.	Code	Description
1	XB.S.LE.W.MI.D.O	Bumper suspension centre + Snr
2	XB.S.LE.W.MB.D.O	Bumper tube centre + Snr
3	XB.S.LE.W.IN.OT.A.O-L-R	Side bumper + Snr
4	M1430.F	Protection cap flange 120x60
4	M1430	Protection cap 120x60
5	BMK08.2-3	Nut M8 KOOI 2/3mm



Nr.	Code	Description
1	VRD079	Pressure spring BD=14.9 L=67 DD=1.2mm
o	2 M1975.26.26	Platform roller ø75/26x26mm
o	2 M1975.26	Platform roller ø75/26x46mm
*,y	2 M1999.31	Platform roller 100/31
\$.x	2 M1999.36	Platform roller 100/36
*,y	2 M1975.31	Platform roller ø75/31x46mm
o	3 M1975.26.1	Ring platform roller pin ø25
*,y	3 M1975.31.1	Ring platform roller pin ø30
\$.x	3 M1999.36.1	Ring platform roller pin ø35
*	4 M1730.147.P50.L	Pin ø30x147mm - 50cc
\$.x	4 M1740.154.P50.L	Pin ø40x154mm - 50cc
x	4 M1740.147.P50	Pin ø40x147mm - 50cc
y	4 M1730.130.P50.L	Pin ø30x130mm - 50cc
y	5 M1730.130.P50.L	Pin ø30x130mm - 50cc
o	5 M1725.110.P50.R	Pin ø25x110mm - 50cc
*	5 M1730.204.P50.L	Pin ø30x204mm - 50cc
\$.x	5 M1735.196.P50.L	Pin ø35x196mm - 50cc
x	5 M1735.132.P50.L	Pin ø35x132mm - 50cc
6	M1715.205	Pin platform lock ø15x205mm
6	M1715.245	Pin platform lock ø15x245mm
6	M1715.225	Pin platform lock ø15x225mm
7	M1412	Handle lock ALU M8
8	M0974.A.LE.R	Pallet stop box right S215.A ...mm
9	M0974.A.LE.L	Pallet stop box left S215.A ...mm
10	E0777.V	Foot control steel platform <2010
10	E0767.V	Foot control steel platform >2010
10	E0759.V	Foot control steel platform 2008-...
11	E0700	Set platform lights 24V

TYPE

o	LM.10.03/LMZ.10.03/LSP6.07.02
y	LM.10.03
*	LM.20.03
\$.x	LM30.04
x	LSU.40.01