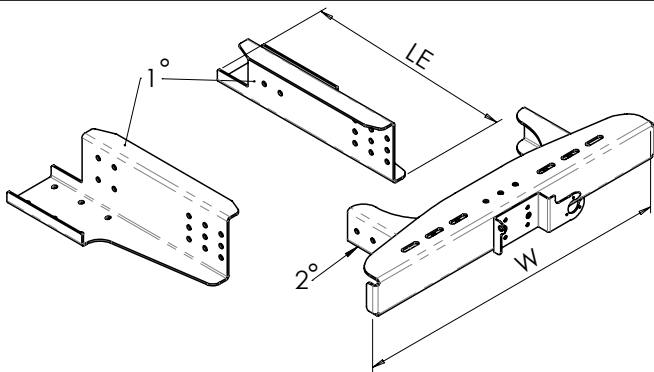
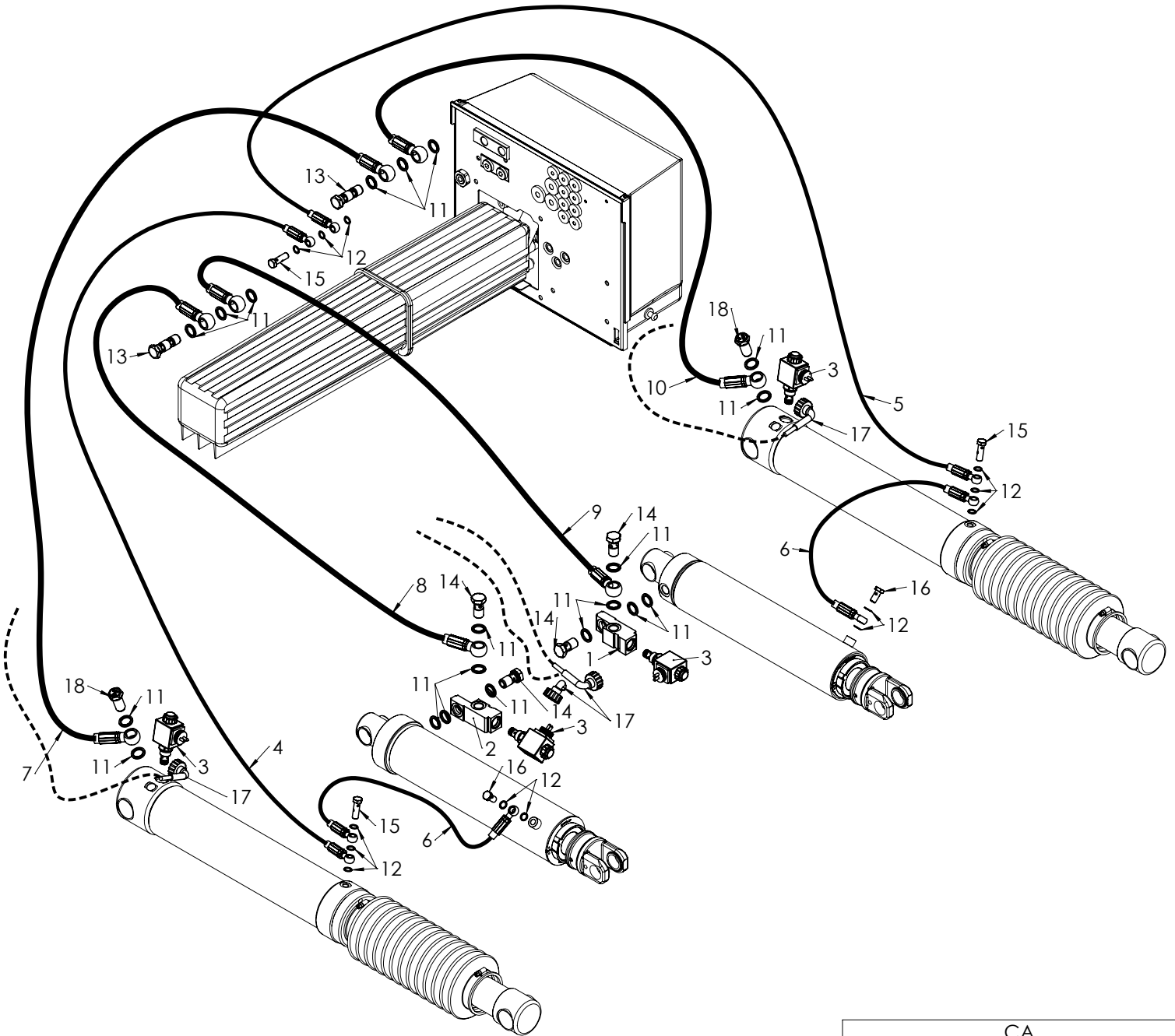

**OAF202° - TOWING HOOK**


OAH013\*

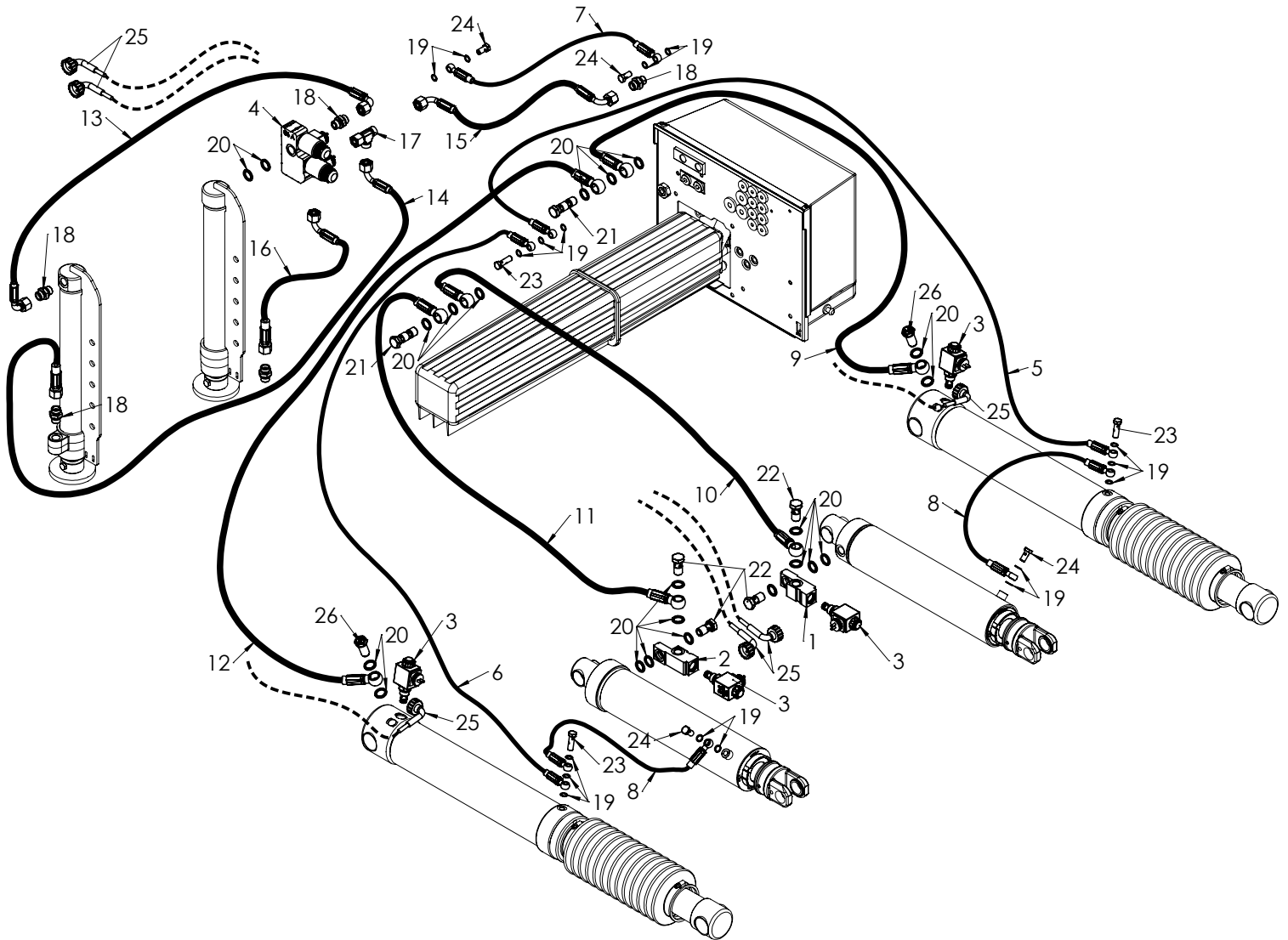
Pos	Code	Description	Pos	Code	Description
1	XT.S.MI.A.LE.S	Bumper suspension towing hook + Snr	15	M1740.096.P50.L	Pin ø40x96mm 50cc
2	XT.S.MB.A.W.S	Bumper construction towing hook + Snr	16	M1735.169.P35.D	Pin ø35x169mm - 35cc
3	XH.LM.30.04.CA.LE	Lift arm LM.30.04 + Snr	17	M1735.160.P50	Pin ø35x160mm - 50cc
4	XF.LM.30.07.CA.O.VK	Frame LM.30.07 + Snr	18	M1730.093.P50.L	Pin ø30x93mm - 50cc
5	XB.S.OI.A.0460	Bumper suspension 610mm	19	M1725.071.P24.L	Pin ø25x71mm - 23.5cc
6	XB.S.OB.A.0305	Bumper tube 305mm	20	M1327.D	Swing bracket LM.30 -D-
7	XB.S.MI.A.LE	Bumper suspension centre + LE	21	M1127.SSU	Plate hydr.stabilising leg SSU
8	XB.S.MB.A.W.CC	Bumper tube centre + Snr	22	M0502.180	Closing cap 180x180mm
9	MM.3.1818.370.S	Mounting plate set #180 - 370mm	23	ch59.r	Lift cylinder right CH59 + Snr
9	MM.3.1818.505.S	Mounting plate set #180 - 505mm	24	ch59.l	Lift cylinder left CH59 + Snr
10	M3202	Fixation bracket hydr.power pack SET	25	GE.R.V02	Hydr.power pack right + Snr
11	M1840.30T	Bearing bush ø40x30mm	25	GE.L.V02	Hydr.power pack left + Snr
12	M1840.25T	Bearing bush ø40x25mm	26	CS27.D.R	Tilt cylinder right CS27 -D-
13	M1835.30T	Bearing bush ø35x30mm	27	CAD14.D.R	Stabilising leg right CAD14.D + Snr
14	M1825.25T	Bearing bush ø25x25mm	28	CAD14.D.L	Stabilising leg left CAD14.D + Snr



CA			
1200		1300	
LEFT	RIGHT	LEFT	RIGHT
#	&	@	\$

Pos	Code	Description
1	V161.R	Block safety valve right V133
2	V161.L	Block safety valve left V133
3	V133.24	Safety valve SA 24V
3	V133.12	Safety valve SA 12V
\$&	4	KSL3100.OO LP hose E-E 3100mm
#	4	KSL1600.OO LP hose E-E 1600mm
@	4	KSL1500.OO LP hose E-E 1500mm
#@	5	KSL3100.OO LP hose E-E 3100mm
\$&	5	KSL1600.OO LP hose E-E 1600mm
6	KSL0400.OO	LP hose E-E 400mm
\$&	7	KSH2850.OO HP hose E-E 2850 mm
#	7	KSH1300.OO HP hose E-E 1300mm
@	7	KSH1100.OO HP hose E-E 1100mm
\$&	8	KSH2850.OO HP hose E-E 2850 mm

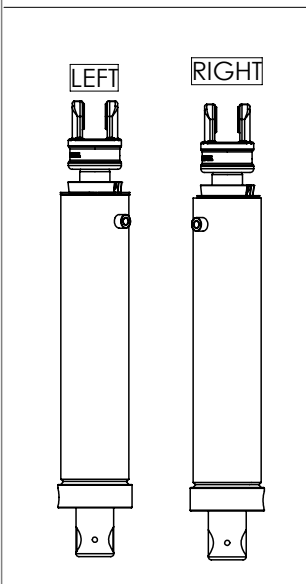
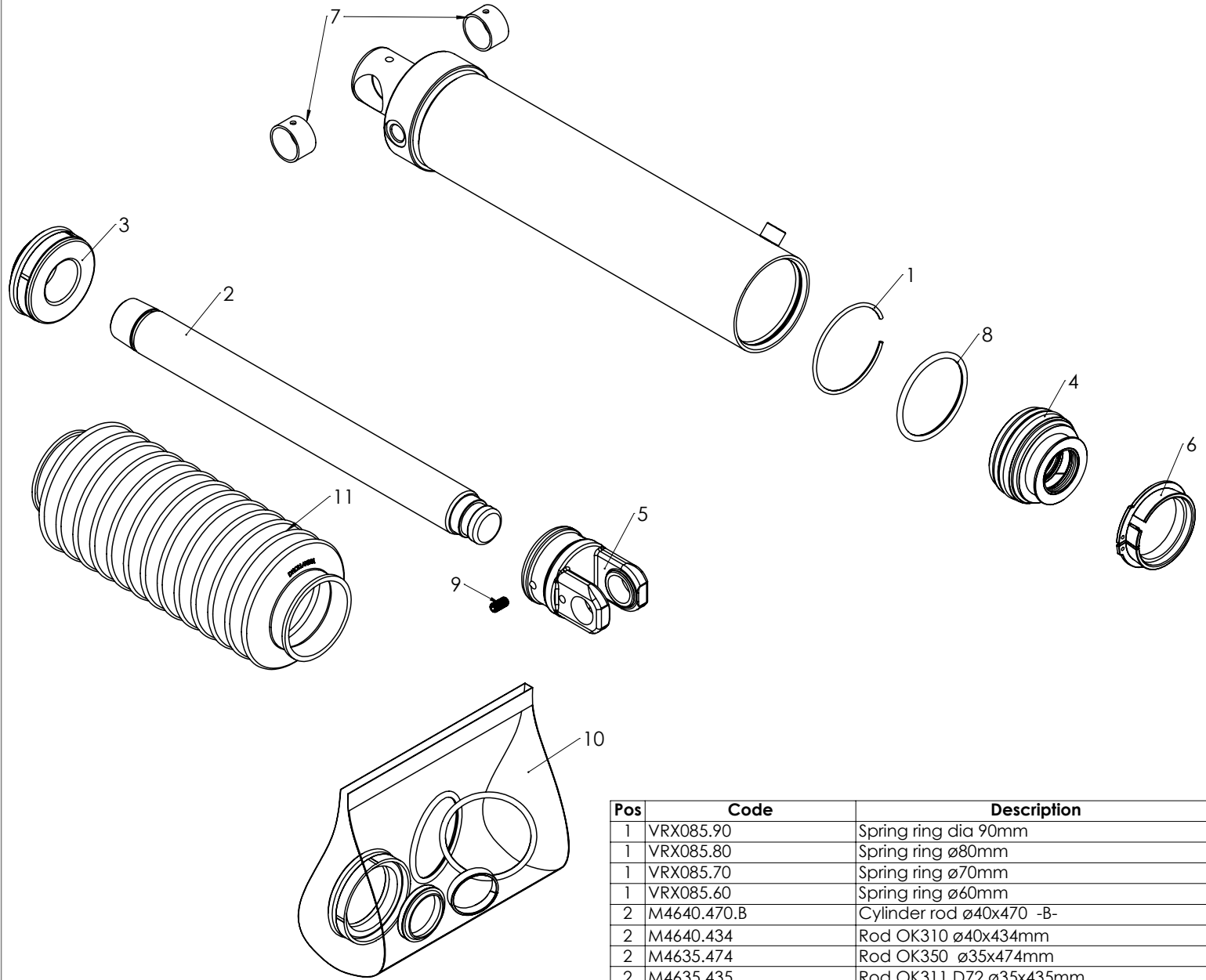
Pos	Code	Description
#	8	KSH1600.OO HP hose E-E 1600mm
@	8	KSH1200.OO HP hose E-E 1200 mm
#@	9	KSH2850.OO HP hose E-E 2850 mm
&	9	KSH1600.OO HP hose E-E 1500mm
\$	9	KSH1300.OO HP hose E-E 1300mm
#@	10	KSH2850.OO HP hose E-E 2850 mm
\$	10	KSH1200.OO HP hose E-E 1200 mm
&	10	KSH1300.OO HP hose E-E 1300mm
11	K0700.3-8	Sealing ring 3/8"
12	K0700.10x1	Sealing ring 10x1mm
13	K0188	Banjo double 3/8"
14	K0172	Banjo simple 3/8"
15	K0112	Banjo double M10x1
16	K0110	Banjo simple M10x1
17	E0086	Cable safety valve Costal
18	K0109.25	Banjo braking valve ø2.5



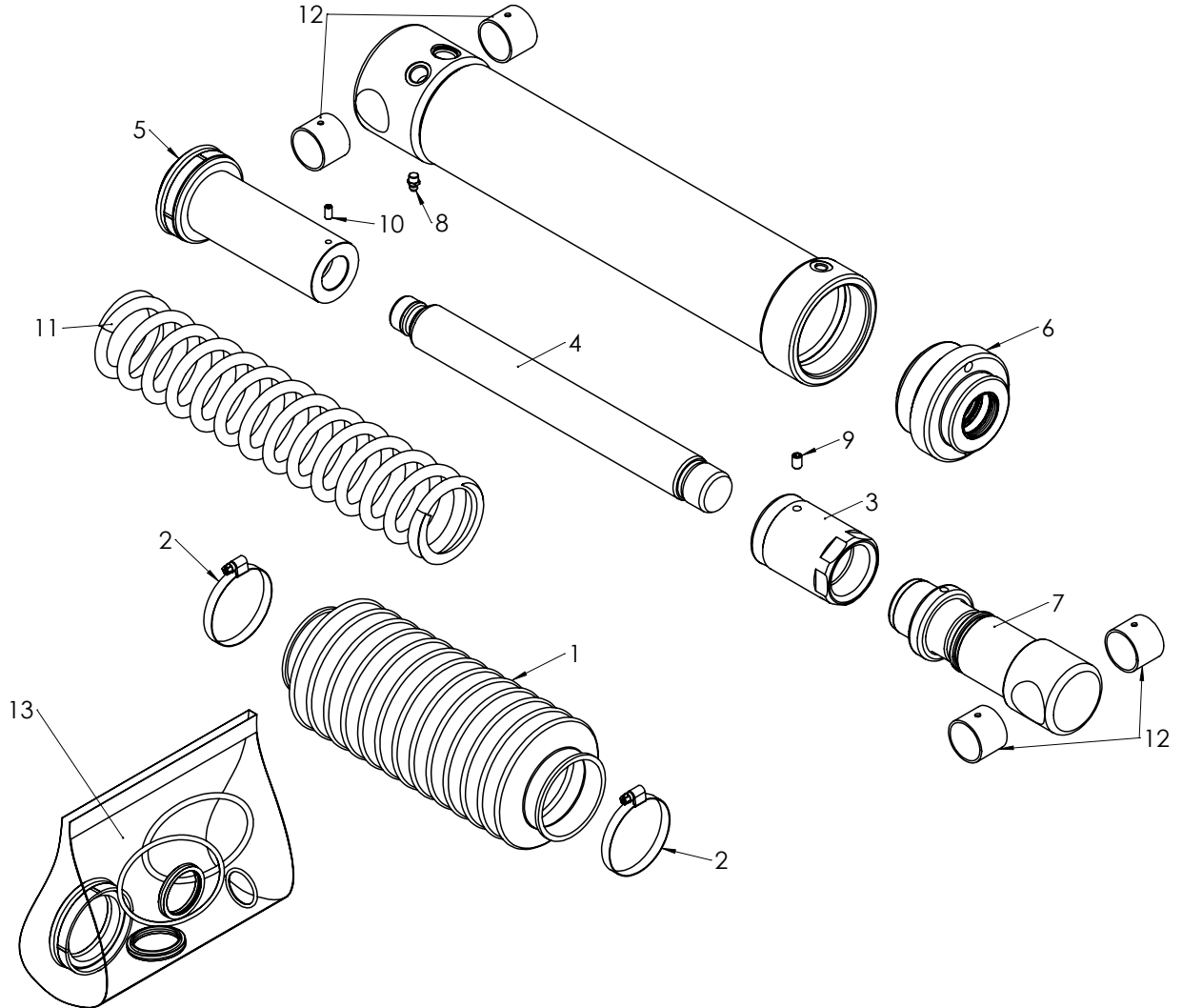
CA			
1200		1300	
LEFT	RIGHT	LEFT	RIGHT
#	&	@	\$

Pos	Code	Description
1	V161.R	Block safety valve right V133
2	V161.L	Block safety valve left V133
3	V133.12	Safety valve SA 12V
3	V133.24	Safety valve SA 24V
4	V093	Valve hydr.stabilising leg
\$&	5 KSL3100.OO	LP hose E-E 3100mm
#	5 KSL1600.OO	LP hose E-E 1600mm
@	6 KSL3100.OO	LP hose E-E 3100mm
#@	6 KSL1600.OO	LP hose E-E 1600mm
\$&	6 KSL1500.OO	LP hose E-E 1500mm
7	KSL0500.OO	LP hose E-E 500mm
8	KSL0400.OO	LP hose E-E 400mm
\$&	9 KSH2850.OO	HP hose E-E 2850 mm
#	9 KSH1300.OO	HP hose E-E 1300mm
@	9 KSH1200.OO	HP hose E-E 1200 mm
\$&	10 KSH2850.OO	HP hose E-E 2850 mm
#	10 KSH1600.OO	HP hose E-E 1500mm
@	10 KSH1300.OO	HP hose E-E 1300mm

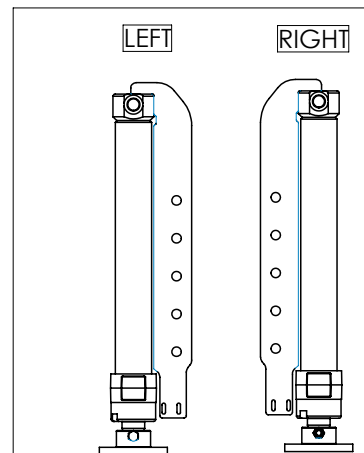
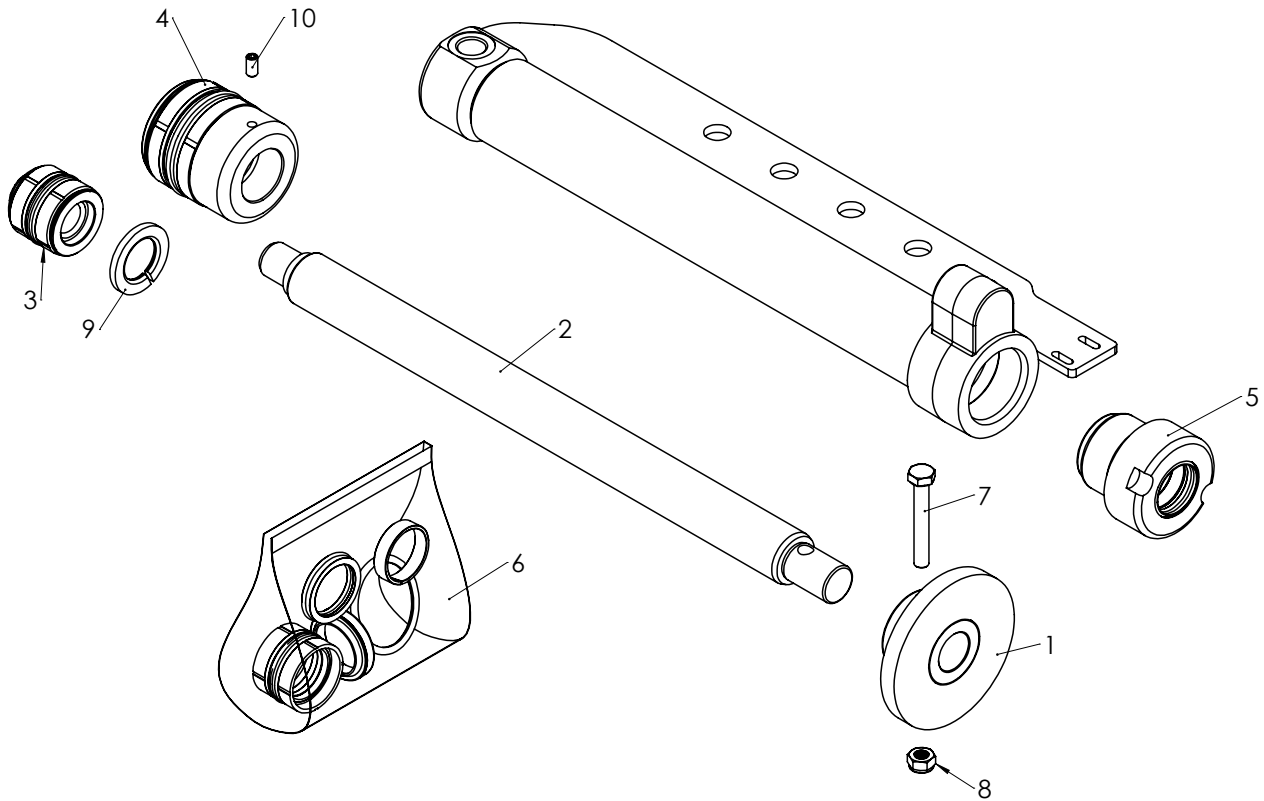
Pos	Code	Description
#@	11 KSH2850.OO	HP hose E-E 2850 mm
&	11 KSH1600.OO	HP hose E-E 1600mm
\$	11 KSH1200.OO	HP hose E-E 1200 mm
#@	12 KSH2850.OO	HP hose E-E 2850 mm
\$	12 KSH1300.OO	HP hose E-E 1300mm
&	12 KSH1100.OO	HP hose E-E 1100mm
13	KSH2000.NN	HP hose N90°- N90° 2000mm
14	KSH1700.MN	HP hose N-N 90° 1700mm
15	KSH0500.NN	HP hose N90°- N90° 500mm
16	KSH0500.MN	HP hose N-N 90° 500mm
17	K1213	Coupling adjustable T 12
18	K1201	Coupling straight 3/8"-12
19	K0700.10x1	Sealing ring 10x1mm
20	K0700.3-8	Sealing ring 3/8"
21	K0188	Banjo double 3/8"
22	K0172	Banjo simple 3/8"
23	K0112	Banjo double M10x1
24	K0110	Banjo simple M10x1
25	E0086	Cable safety valve Costal
26	K0109.25	Banjo braking valve ø2.5



Pos	Code	Description
1	VRX085.90	Spring ring dia 90mm
1	VRX085.80	Spring ring ø80mm
1	VRX085.70	Spring ring ø70mm
1	VRX085.60	Spring ring ø60mm
2	M4640.470.B	Cylinder rod ø40x470 -B-
2	M4640.434	Rod OK310 ø40x434mm
2	M4635.474	Rod OK350 ø35x474mm
2	M4635.435	Rod OK311 D72 ø35x435mm
3	M4440.090	Piston SA ø90-40
3	M4440.080	Piston SA ø80-40
3	M4435.070	Piston SA ø70-35
3	M4435.060	Piston SA ø60-35
4	M4240.090.AP	Cylinder head ø90-40 -AP-
4	M4240.080.AP	Cylinder head ø80-40 -AP-
4	M4235.070.AP	Cylinder head ø70/35 AP
4	M4235.060.AC	Cylinder head with circlip ø60-35 AC
5	M4102.070.25.40.25.T	Fork rod ø40T L=70 (arm 25)
5	M4102.070.25.35.25.F	Fork rod ø35F L=70 (arm 25)
6	M1979.57	Ring cylinder Dia 70
7	M1830.20T	Bearing bush ø30x20mm
8	DO082.5	O-ring ø82x5mm
8	DO072.5	O-ring 72x5 mm
8	DO062.5	O-ring ø62x5
8	DO052.5	O-ring ø52x5
9	BB08.16	Allenbolt headless M8x16
10	DSE060.35.C	Seal set CIRCLIPS EW ø60-35
10	DSE070.35.C	Seal set CIRCLIPS EW ø70-35
10	DSE080.40.C	Seal set CIRCLIPS EW ø80-40
10	DSE090.40.AP	Seal set SA ø90-40 -AP-
11	M4929	Rubber sleeve 70x70

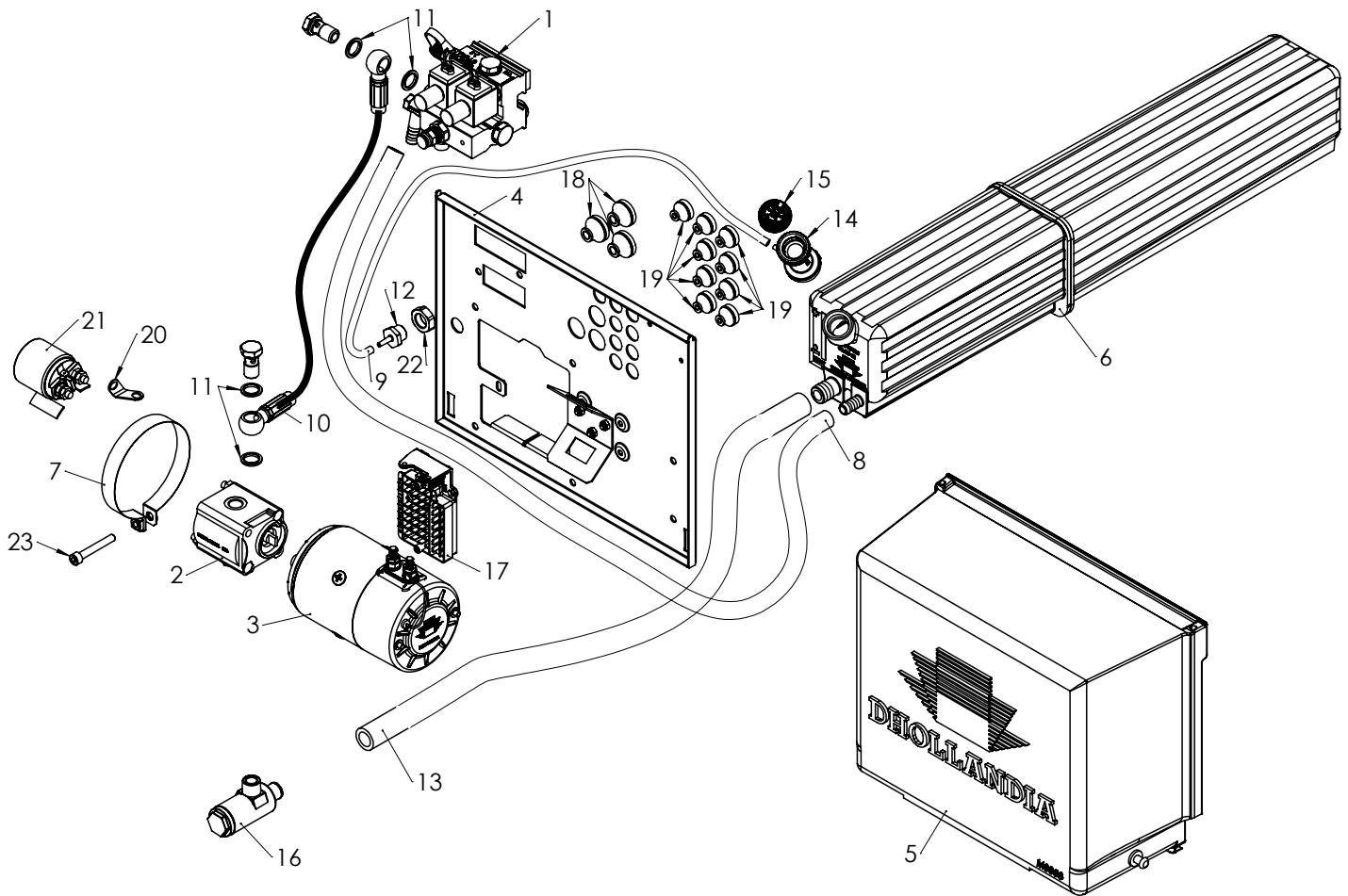


Pos	Code	Description
1	M4929	Rubber sleeve 70x70
2	M4901.070	Collar ø70
3	M4821.B	Adjustment bush extension M37
4	M4645.493	Rod SKSV ø55x450mm
4	M4645.433	Rod SKSV297 ø45x433
4	M4640.433.B	Rod SKV266 ø40x433mm 2009>..
4	M4640.373.B	Rod SKS236 ø40x373mm 2009>..
5	M4407.090	Piston SA SKSV ø90 >2008
5	M4407.080	Piston SA SKSV ø80 >2008
6	M4245.090.AG	Cylinder head ø90-45mm
6	M4240.090.AG	Cylinder head guide ø90-40
6	M4240.080.AG	Cylinder head guide ø80-40
7	M4054.LE	Adjustable extension LSU ...mm
8	M1701	Grease nipple M8
9	BB08.12	Allenbolt headless M8x12
10	BB06.12.PC	Allenbolt headless M6x12 PC
11	VRD011.10	Spring SKSV80 ø10 L=385
12	M1835.30T	Bearing bush ø35x30mm
13	DSE090.45	Seal set SA ø90-45
13	DSE080.40	Seal set SA ø80-40
13	DSE090.40	Seal set SA ø90-40



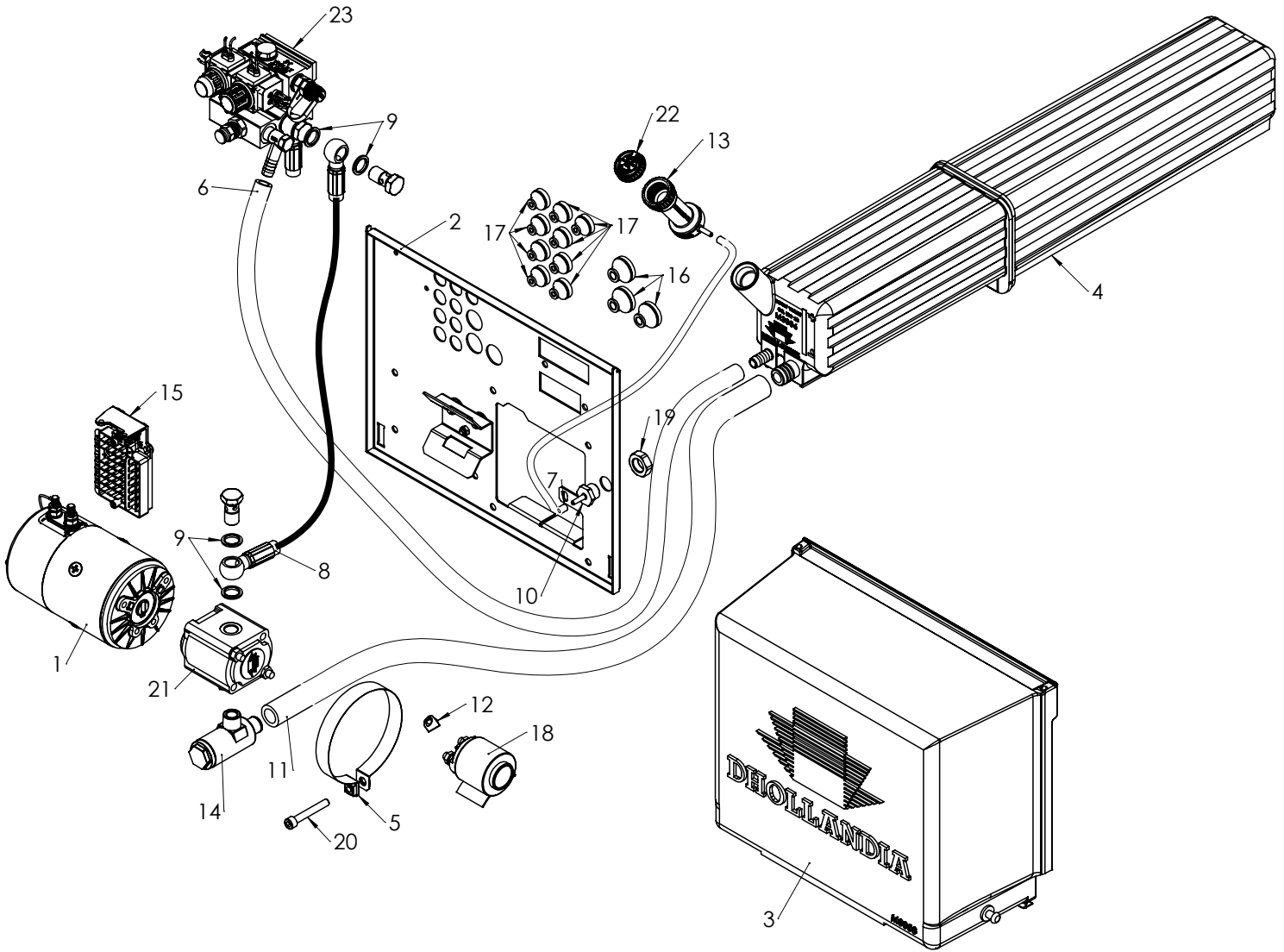
Pos	Code	Description
1	M4892.D.30	Foot hydr.stabilising leg CAD14 ø30
1	M4892.D.40	Foot hydr.stabilising leg CAD14 ø40
2	M4640.480.B	Rod cylinder ø40x480mm -B-
2	M4640.405	Rod cylinder ø40x405mm
2	M4630.425	Rod cylinder CAD14 ø30x425mm
3	M4535.040	Piston DA DKB ø40
4	M4503.060	Piston DA ø60
5	M4240.060.AG	Cylinder head SA ø60-40
5	M4230.040.AG	Cylinder head guide ø40-30
6	DSD060.40	Seal set DA ø60-40
6	DSD040.30	Seal set DA ø40-30
7	BT08.055	Bolt M8x55
8	BMB08	Locking nut M8
9	BC24.3	Spring washer M24 NMG452
10	BB06.12.PC	Allenbolt headless M6x12 PC





Pos	Code	Description
1	V181.L.D.12	Valve left 12V DA M18
1	V181.L.D.24	Valve left 24V DA M18
2	P030.26	Pump 2.6cc
3	MP027	Motor 12V 2000W
3	MP025	Motor 24V 2000W
4	M3117.D.L	Case power pack left LM.20 -D-
4	M3117.B.L	Case power pack left LM.20 -B-
5	M3058	Cover power pack 400-180 2010
6	M3007	Tank left 150 - 5L
7	M0119	Collar motor 2000W
8	KSL0340.1-2	LP hose 1/2" - 200mm
9	KSL0170.3-16	LP hose 3/16 170 mm
10	KSH0370.OO	HP hose E-E 950 mm

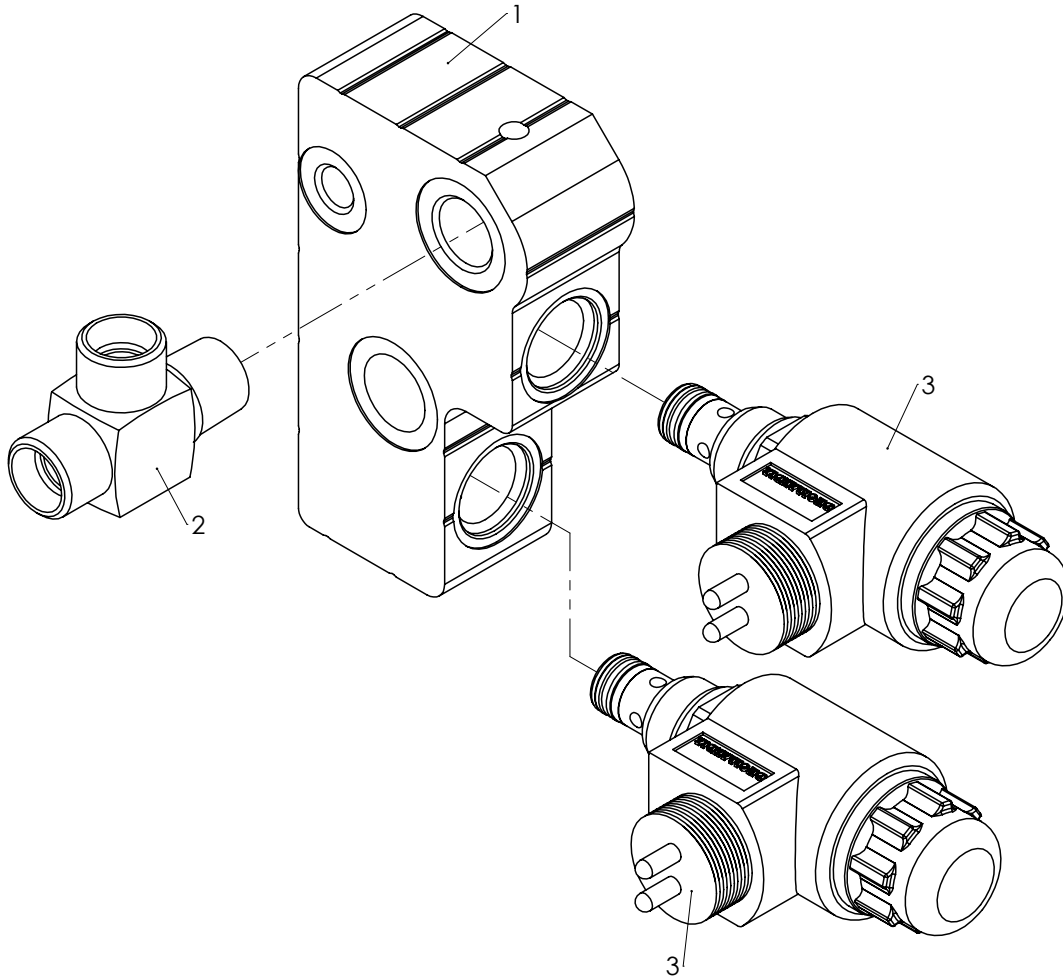
Pos	Code	Description
11	K0700.3-8	Sealing ring 3/8"
12	K0216	Coupling return hose M18x1.5mm
13	K0088.60	Suction hose pump 60mm
14	F023	Extension tank incl. F024
15	F022.OG	Air release cap orange 3/4
16	F020	Filter compl. >2008..
17	E2051	Connection block hydr.power pack >2010
18	E0793.M25	Lead through rubber E0793.M25
19	E0793	Lead through rubber E0793
20	E0064.R	Connection motor RIGHT
21	E0059.M	Starting relay motor 150A 12V
21	E0058.M	Starting relay motor 150A 24
22	BMZ18.L	Nut low M18
23	BI08.055	Allenbolt with head M8x55



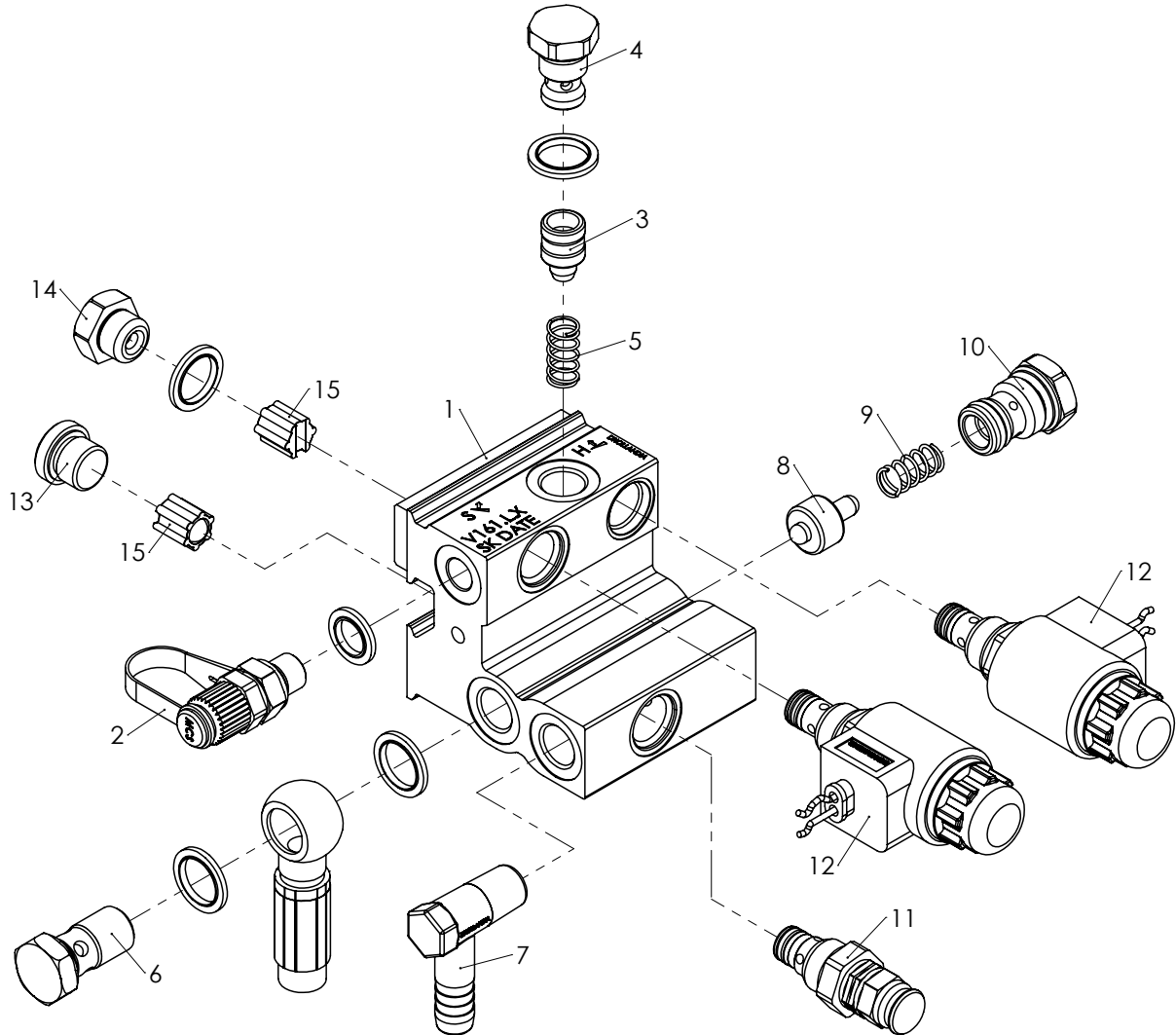
Pos	Code	Description
1	MP027	Motor 12V 2000W
1	MP025	Motor 24V 2000W
2	M3117.D.R	Case power pack right LM.20 -D-
2	M3117.B.R	Case power pack right LM.20 -B-
3	M3058	Cover power pack 400-180 2010
4	M3006	Tank right 150 - 5L
5	M0119	Collar motor 2000W
6	KSL0340.1-2	LP hose 1/2" - 200mm
7	KSL0170.3-16	LP hose 3/16 170 mm
8	KSH0370.OO	HP hose E-E 950 mm
9	K0700.3-8	Sealing ring 3/8"
10	K0216	Coupling return hose M18x1.5mm
11	K0088.60	Suction hose pump 60mm

Pos	Code	Description
12	GP081.L	Connection motor LINKS
13	F023	Extension tank incl. F024
14	F020	Filter compl. >2008..
15	E2051	Connection block hydr.power pack >2010
16	E0793.M25	Lead through rubber E0793.M25
17	E0793	Lead through rubber E0793
18	E0059.M	Starting relay motor 150A 12V
18	E0058.M	Starting relay motor 150A 24
19	BMZ18.L	Nut low M18
20	BI08.055	Allenbolt with head M8x55
21	P030.26	Pump 2.6cc
22	F022.OG	Air release cap orange 3/4
23	V166.R	Valve power pack right SM.15



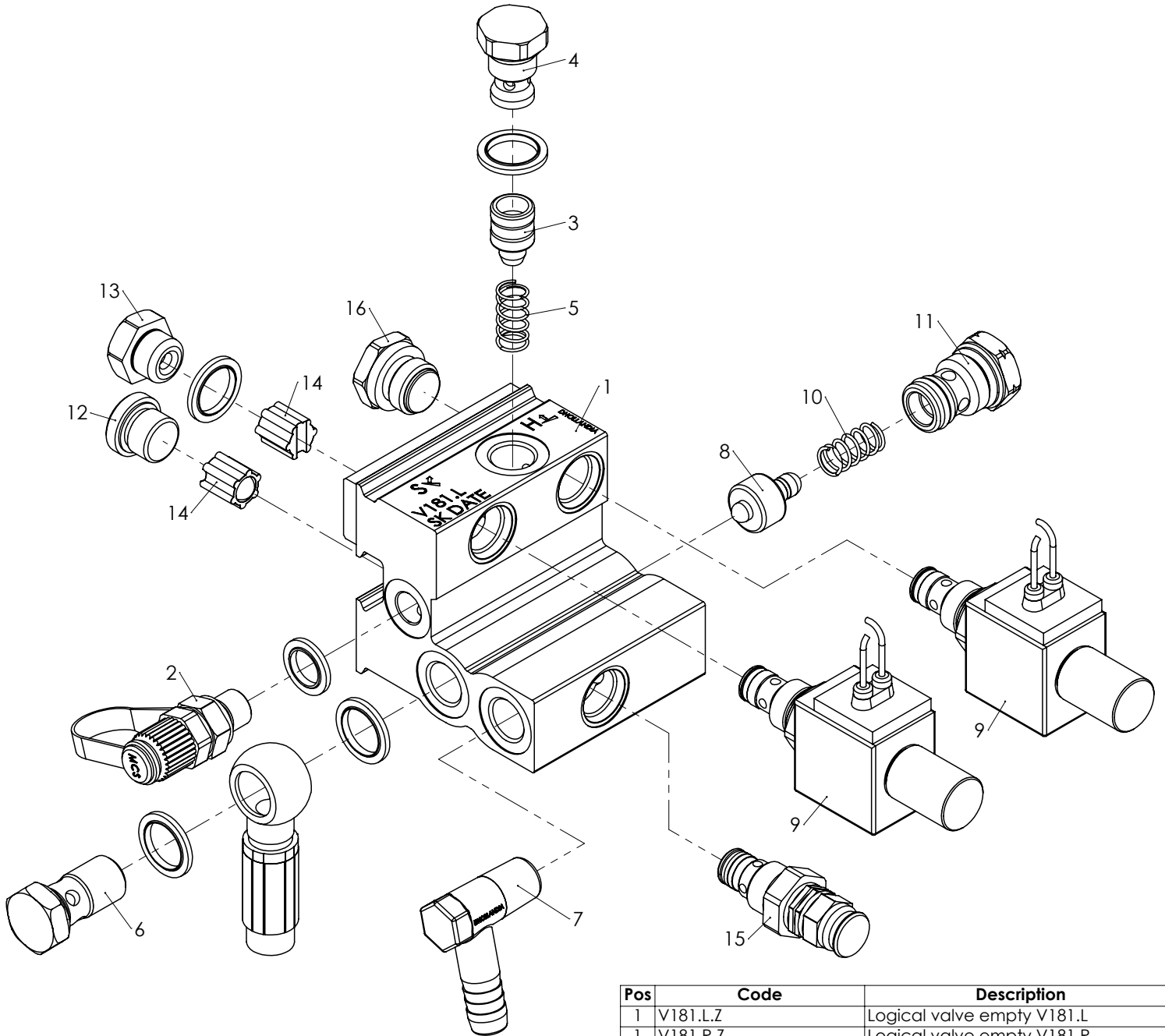


Pos	Code	Description
1	V093.Z	Valve empty V093
2	K1223	Coupling T 3/8"-12-12
3	V071.H	Safety valve DA 24V HYDAC
3	V072.H	Safety valve DA 12V HYDAC

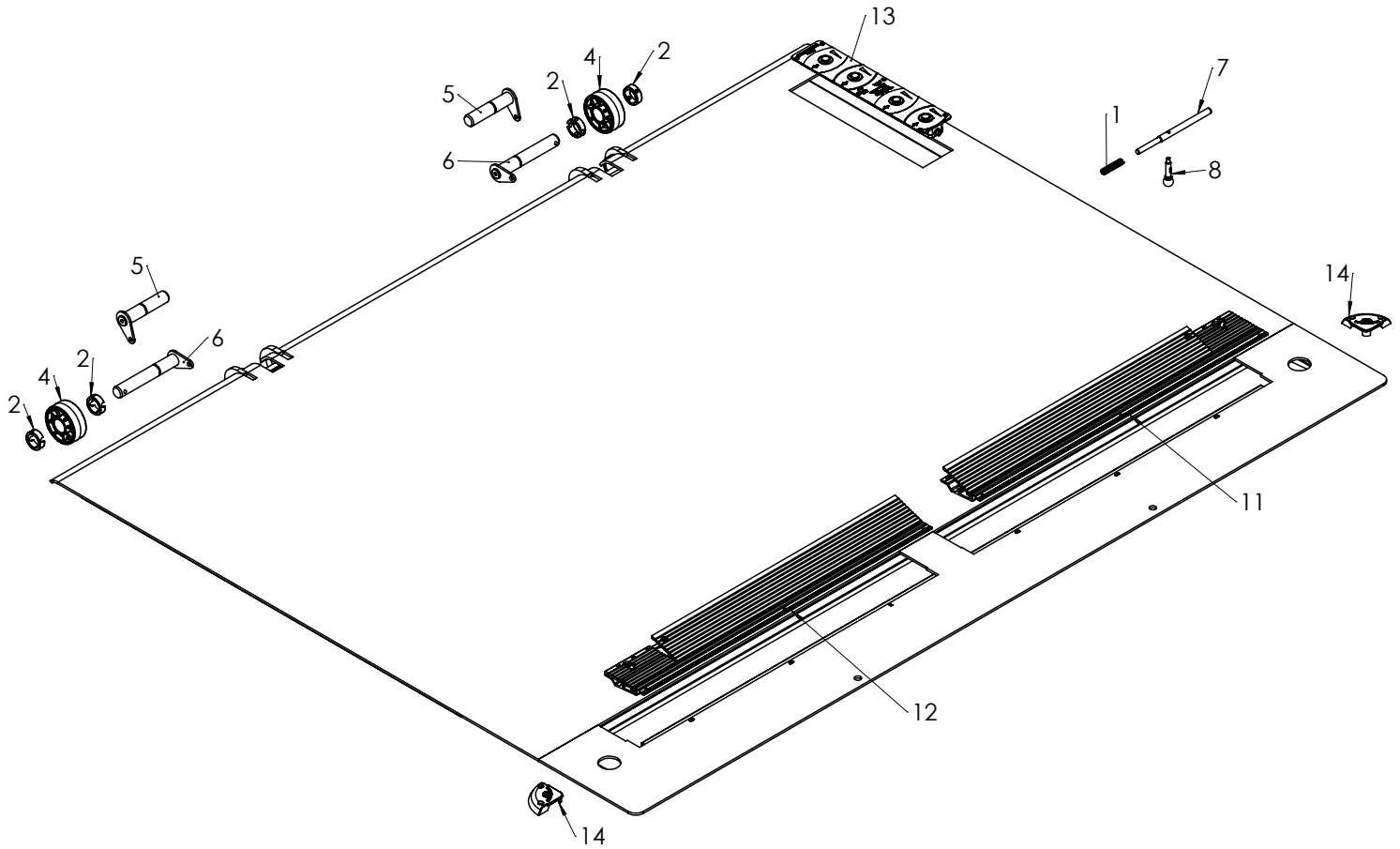


Pos	Code	Description
1	V166.L.D.Z	Logical valve empty V166.L.D
1	V166.L.X.Z	Logical valve empty V166.L
1	V166.R.D.Z	Logical valve empty V166.R.D
1	V166.R.X.Z	Logical valve empty V166.R
2	K0107	Coupling pressure gauge
3	V003.P	Plunger braking valve ø ...mm
4	K0702.3-8.B	Closing cap braking valve 3/8" -B-
5	VRD001	Pressure spring BD=11 L=22 DD=1mm
6	K0172	Banjo simple 3/8"
7	K0190	Coupling return hose 3/8
8	K0168	Switch plunger
9	VRD001.1	Pressure spring BD=11 L=22 DD=1.1mm

Pos	Code	Description
10	K0157	Nut switch plunger 1/2"
11	V007	Pressure relief valve 3/4
12	V177.24.K	Safety valve DA 24V - DHO M18
12	V036.HK	Safety valve SA 24V + E242.H
12	V037.HK	Safety valve SA 12V + E243.H
12	V071.HK	Safety valve DA 24V +E0242.H
12	V072.HK	Safety valve DA 12V + E0243.H
12	V133.12.HK	Safety valve SA 12V - HYDAC(K)
12	V133.24.HK	Safety valve SA 24V - HYDAC(K)
12	V177.12.K	Safety valve DA 12V - DHO M18
13	K0702.3-8	Closing cap 3/8"
14	K0703.3-8.D	Closing cap 3/8"+M10x1 L=18
15	K0153	No return valve



Pos	Code	Description
1	V181.L.Z	Logical valve empty V181.L
1	V181.R.Z	Logical valve empty V181.R
2	K0107	Coupling pressure gauge
3	V003.P.45	Plunger braking valve ø 4.5mm
4	K0702.3-8.B	Closing cap braking valve 3/8" -B-
5	VRD001	Pressure spring BD=11 L=22 DD=1mm
6	K0172	Banjo simple 3/8"
7	K0190	Coupling return hose 3/8
8	K0168.C	Switch plunger K0168 -C-
9	V133.24.HK	Safety valve SA 24V - HYDAC(K)
9	V133.12.HK	Safety valve SA 12V - HYDAC(K)
9	V177.12.K	Safety valve DA 12V - DHO M18
9	V177.24.K	Safety valve DA 24V - DHO M18
10	VRD001.1	Pressure spring BD=11 L=22 DD=1.1mm
11	K0157.B	Nut switch plunger 1/2" -B-
12	K0702.3-8	Closing cap 3/8"
13	K0703.3-8	Closing cap 3/8" + M10x1 L=32
13	K0703.3-8.D	Closing cap 3/8"+M10x1 L=18
14	K0153	No return valve
15	V139	Pressure relief valve
16	K0702.3-4	Closing cap 3/4" 16UNF



Pos	Code	Description	LIFT TYPE / OPTION
1	VRD079	Pressure spring BD=14.9 L=67 DD=1.2mm	-
2	M1999.36.1	Ring platform roller pin ø35	LM.30/ LSU.40
2	M1975.31.1	Ring platform roller pin ø30	LM.10.03/ LM.20
2	M1975.26.1	Ring platform roller pin ø25	LM.10/LMZ.10/LSP6.07
3	M1999.31	Platform roller 100/31	
4	M1975.26.26	Platform roller ø75/26x26mm	LM.10/LMZ.10/LSP6.07
4	M1975.26	Platform roller ø75/26x46mm	LM.10/LMZ.10/LSP6.07
4	M1999.36	Platform roller 100/36	LM.30/ LSU.40
4	M1975.31	Platform roller ø75/31x46mm	LM.10.03/ LM.20
5	M1745.235.ETG	Pin LSU90 ø45x235mm ETG	LSU.90
5	M1740.165	Pin ø40x165mm	LSU.60
5	M1740.154.P50.L	Pin ø40x154mm - 50cc	LM.30
5	M1730.147.P50.L	Pin ø30x147mm - 50cc	LM.20/LM.15.03
5	M1730.130.P50.L	Pin ø30x130mm - 50cc	LM.10.03
5	M1730.130.P50.L	Pin ø30x130mm - 50cc	LM.15.03
6	M1740.227	Pin ø40x227mm	LSU.60
6	M1740.180	Pin ø40x180mm	LSU.90
6	M1740.134.P50.D.L	Pin ø40x134mm - 50cc -D-	LSU.40/LSU.60/LSU.90
6	M1735.196.P50.L	Pin ø35x196mm - 50cc	LM.30
6	M1735.151.P50.L	Pin ø35x151mm - 50cc	LSU.40/LSU.60/LSU.90
6	M1730.204.P50.L	Pin ø30x204mm - 50cc	LM.20
6	M1725.110.P50.R	Pin ø25x110mm - 50cc	LM.10/LMZ.10/LSP6.07
6	M1730.147.P50.L	Pin ø30x147mm - 50cc	LM.15.03
7	M1715.205	Pin platform lock ø15x205mm	OAP422
7	M1715.225	Pin platform lock ø15x225mm	OAP422
7	M1715.245	Pin platform lock ø15x245mm	OAP422
8	M1412	Handle lock ALU M8	OAP422
9	M0974.M.LE.R	Pallet stop box left S215.M ..mm	
10	M0974.M.LE.L	Pallet stop box right S215.M ..mm	
11	M0974.A.LE.R	Pallet stop box right S215.A ...mm	OAP100
11	M0974.VA.0925.R	Pallet stop box right OAP100.VA 925mm	OAP100
12	M0974.A.LE.L	Pallet stop box left S215.A ...mm	OAP100
12	M0974.VA.0925.L	Pallet stop box left OAP100.VA 925mm	OAP100
13	E0767.V	Foot control steel platform >2010	OAE060
13	E0777.V	Foot control steel platform <2010	OAE060
14	E0700.S.7	Set platform lights 24V	