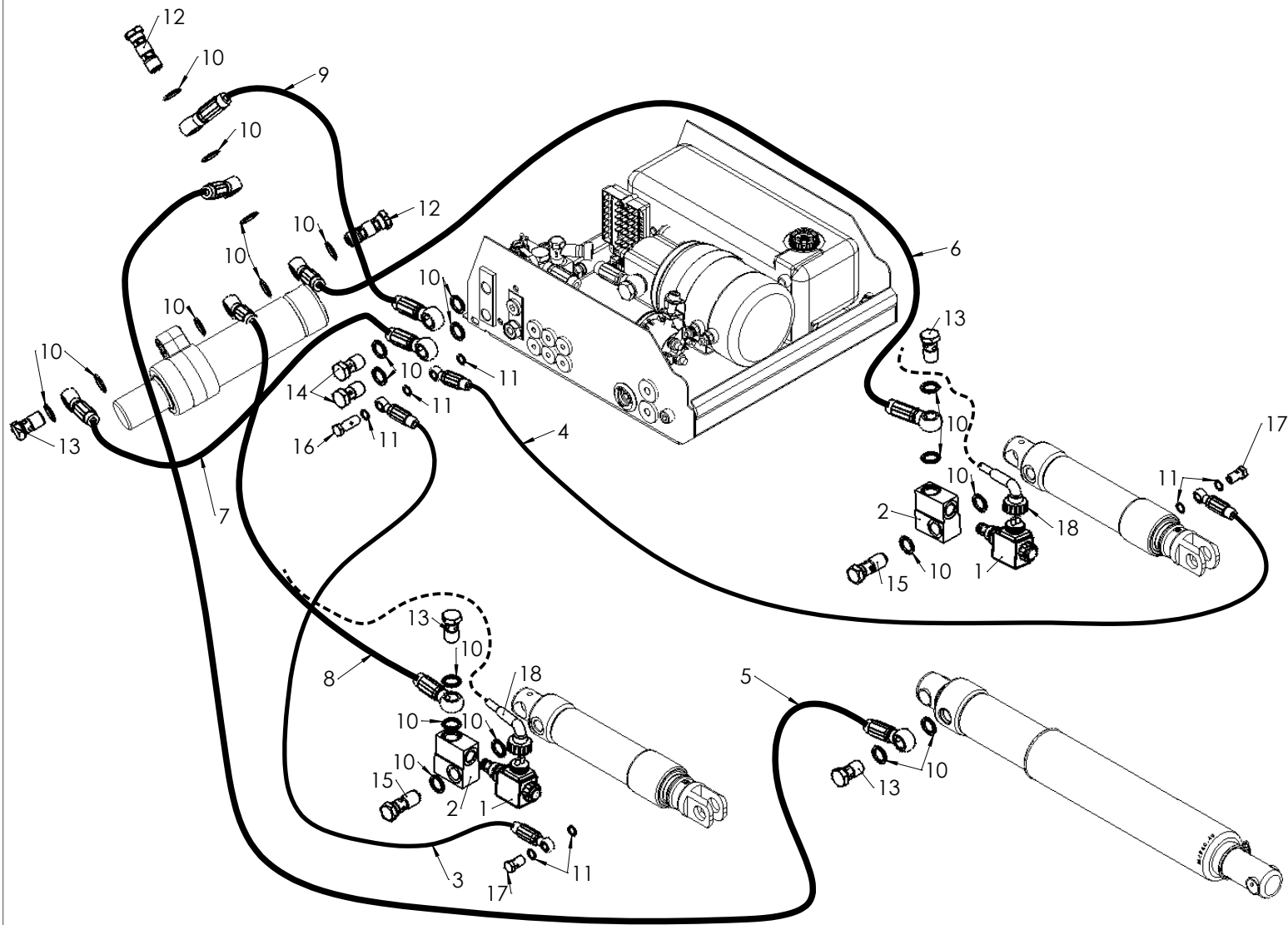
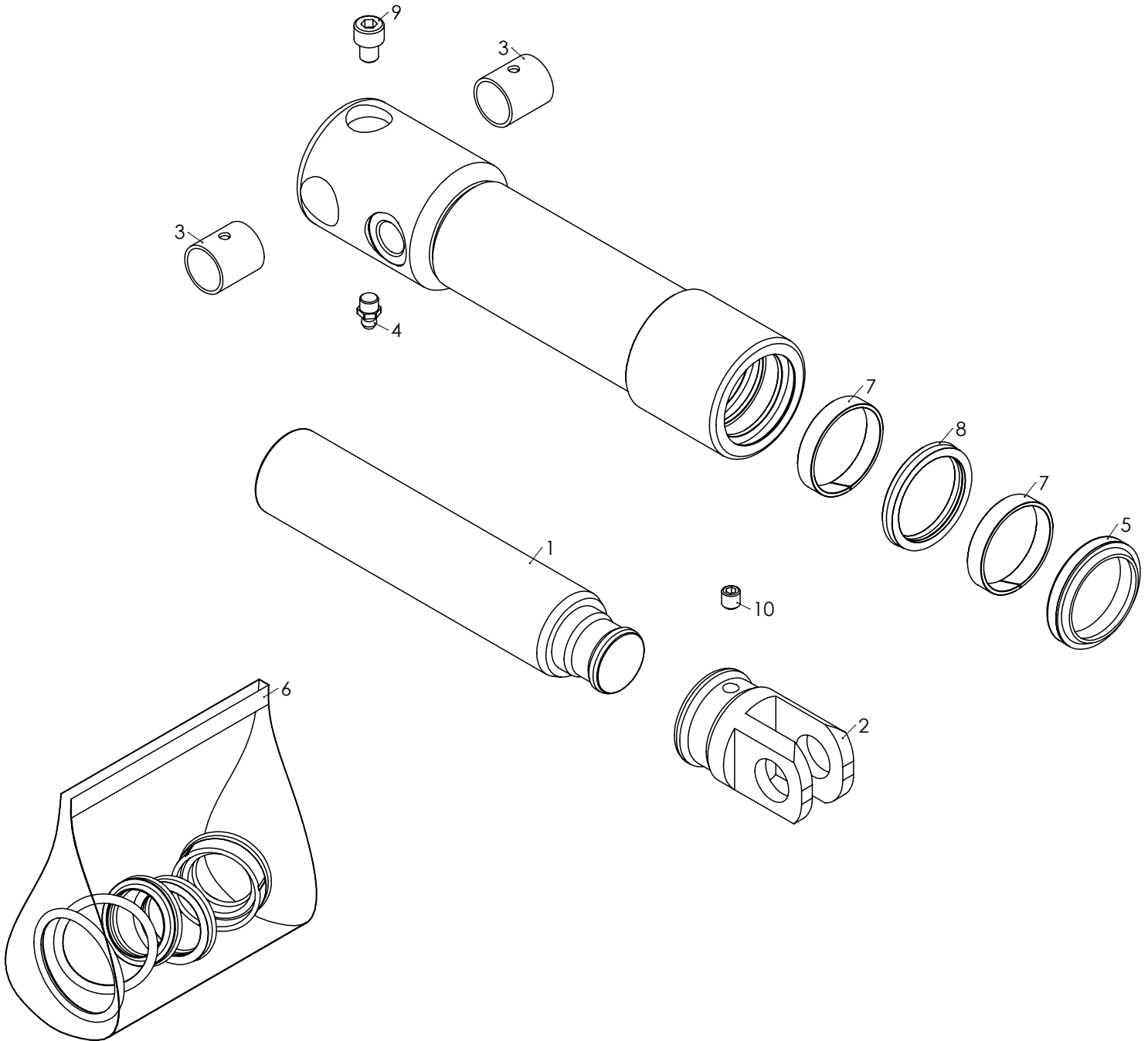


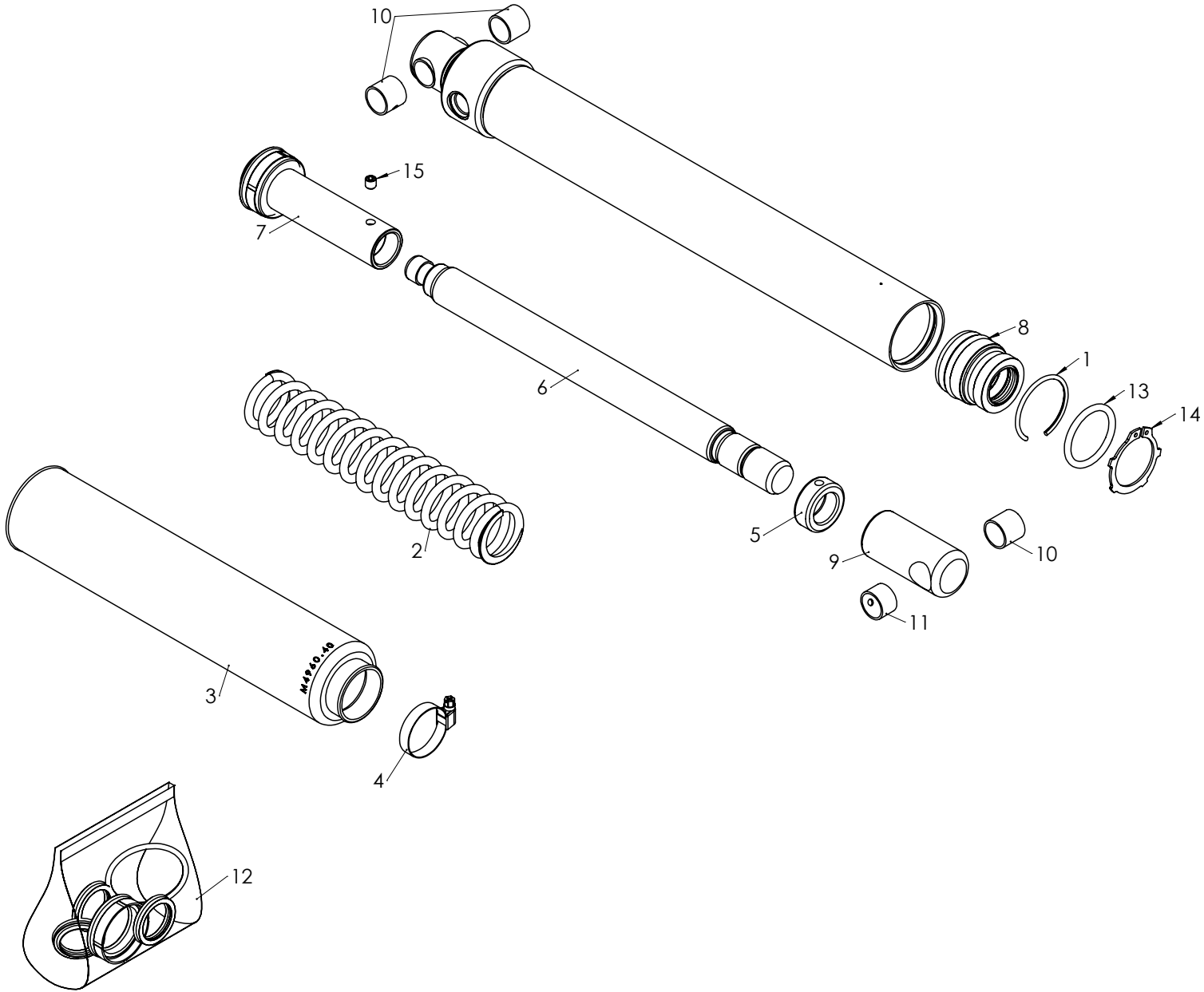
Pos	Code	Description
1	XT.S.LE.W.CC.L	Bumper construction towing hook LSPZ.07.04 + Snr LEFT
1	XT.S.LE.W.CC.R	Bumper construction towing hook LSPZ.07.04 + Snr RIGHT
2	XH.LSP.07.04.CA.LE	Lift arm LSP.07.04 + Snr
3	XF.LSP.07.04.CA.O.VK	Frame LSP.07.04 + Snr
4	M1921.27.27	Spacer bush $\varnothing 21/27 \times 27$ mm
5	M1835.30T	Bearing bush $\varnothing 35 \times 30$ mm
6	M1825.20T	Bearing bush $\varnothing 25 \times 20$ mm
7	M1820.15T	Bearing bush $\varnothing 20 \times 15$ mm
8	M1735.150.B	Pin $\varnothing 35 \times 150$ -B-
9	M1725.077	Pin $\varnothing 25 \times 27$ mm - 50cc
10	M1725.076.BO08	Pin $\varnothing 25 \times 76$ mm - BO08
11	M1720.096.BO08	Pin $\varnothing 20 \times 98$ mm - BO08
12	M1720.048.BO08	Pin $\varnothing 20 \times 48$ mm - BO08
13	CH49.B	Lift cylinder CH49.B + Snr
14	G.LSP	Hydr.power pack LSP + Snr
15	CF.LSP.05.04.0650	Fixed stabiliser LSP.05.04 - 650cc
16	CAD08.050	Memory cylinder CAD08.050 + Snr



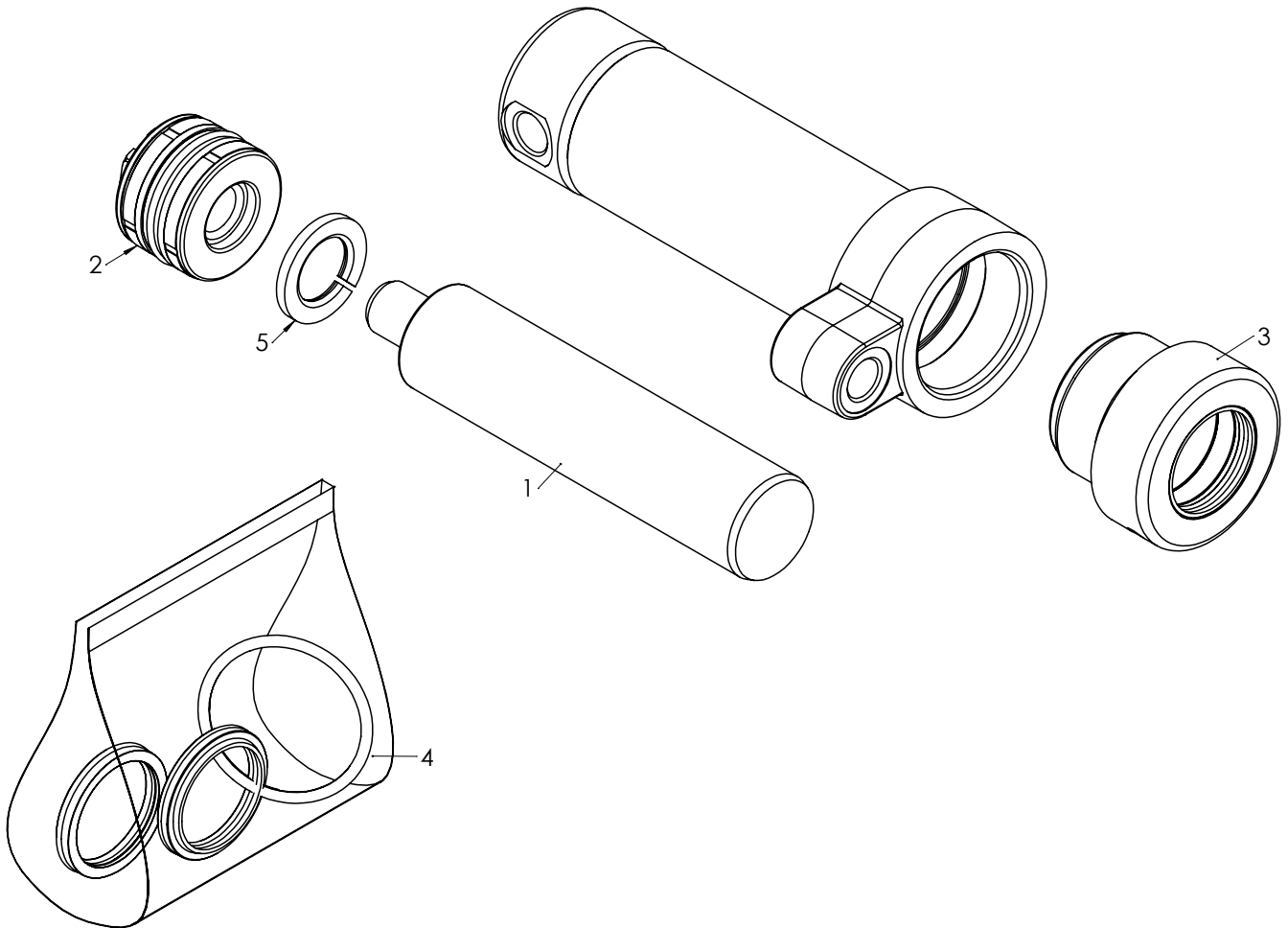
Pos	Code	Description
1	V133.12	Safety valve SA 12V
2	V132	Block safety valve cylinder voor V031
3	KSL1900.OO	LP hose E-E 1900mm
4	KSL1400.OO	LP hose E-E 1400mm
5	KSH1950.OO	HP hose E-E 1950mm
6	KSH1300.OO	HP hose E-E 1300mm
7	KSH0900.OQ	HP hose E-E 900 mm
8	KSH0900.OO	HP hose E-E 950 mm
9	KSH0800.OO	HP hose E-E 800mm
10	K0700.3-8	Sealing ring 3/8"
11	K0700.10x1	Sealing ring 10x1mm
12	K0188	Banjo double 3/8"
13	K0172.B	Banjo simple 3/8"
14	K0172	Banjo simple 3/8"
15	K0150	Banjo logical valve
16	K0112	Banjo double M10x1
17	K0110	Banjo simple M10x1
18	E0086	Cable safety valve Costal



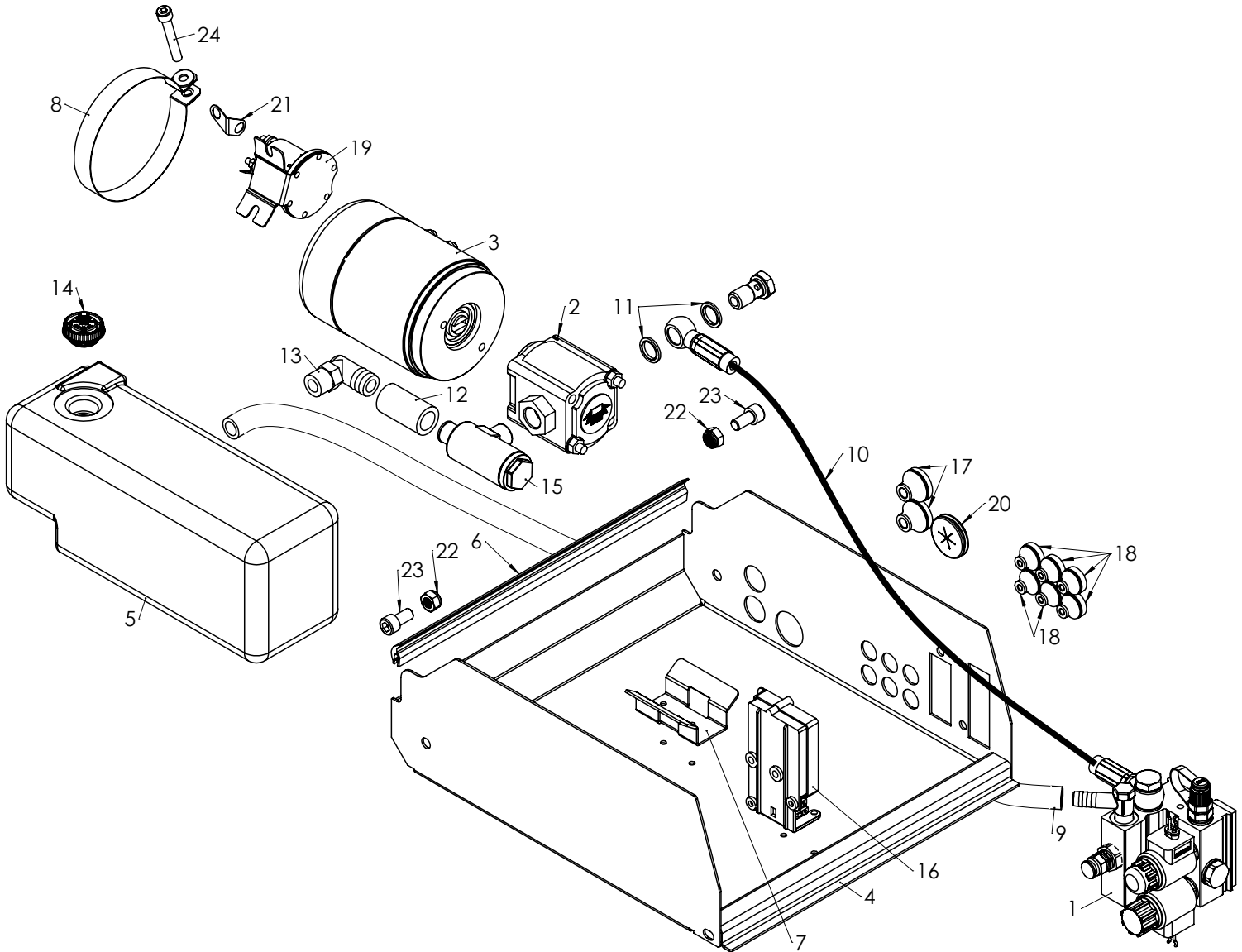
Pos	Code	Description
1	M4640.207	Rod lift cylinder ø40x207mm
2	M4105.054.20.30.15.F	Fork lift cylinder 54cc A20-ø30 15F
3	M1820.25T	Bearing bush ø20x25mm
4	M1701	Grease nipple M8
5	DV040.S	Scraper steel ø40
6	DSE040.30	Seal set SA ø40-30
7	DG040.85.PL	Ring guide ø40 - 8.5 mm
8	DG040	Groove seal ø40
9	BI08.010	Allenbolt M8x10mm
10	BB08.08	Allenbolt headless M8x8



Pos	Code	Description
1	VRX085.50	Spring ring ø50mm
2	VRD103	Pressure spring BD=48 L=250 DD=6.5mm
2	VRD113	Pressure spring BD=18 L=122 DD=2.5mm
3	M4960.40	Rubber sleeve ø60-ø40
4	M4901.040	Collar ø40
5	M4810.27	Locking ring extension M27
6	M4630.356	Cylinder rod ø30x356mm
6	M4630.390	Rod lift cylinder ø30x390mm
6	M4630.410	Rod cylinder ø30x410mm
7	M4401.050.C	Piston SA SKM ø50 >2010
7	M4401.050.D	Piston SA ø50 -D-
8	M4230.050.AC	Cylinder head interior ø30-50
9	M4036.063	Extension LSPH.05.04 - 63cc
10	M1820.20T	Bearing bush ø20x20mm
11	M1820.15T	Bearing bush ø20x15mm
12	DSE050.30	Seal set SA ø30-50
13	DO042.5	O-ring ø42x5
14	BC45.983	Locking ring ø45 DIN 983
15	BB08.08	Allenbolt headless M8x8

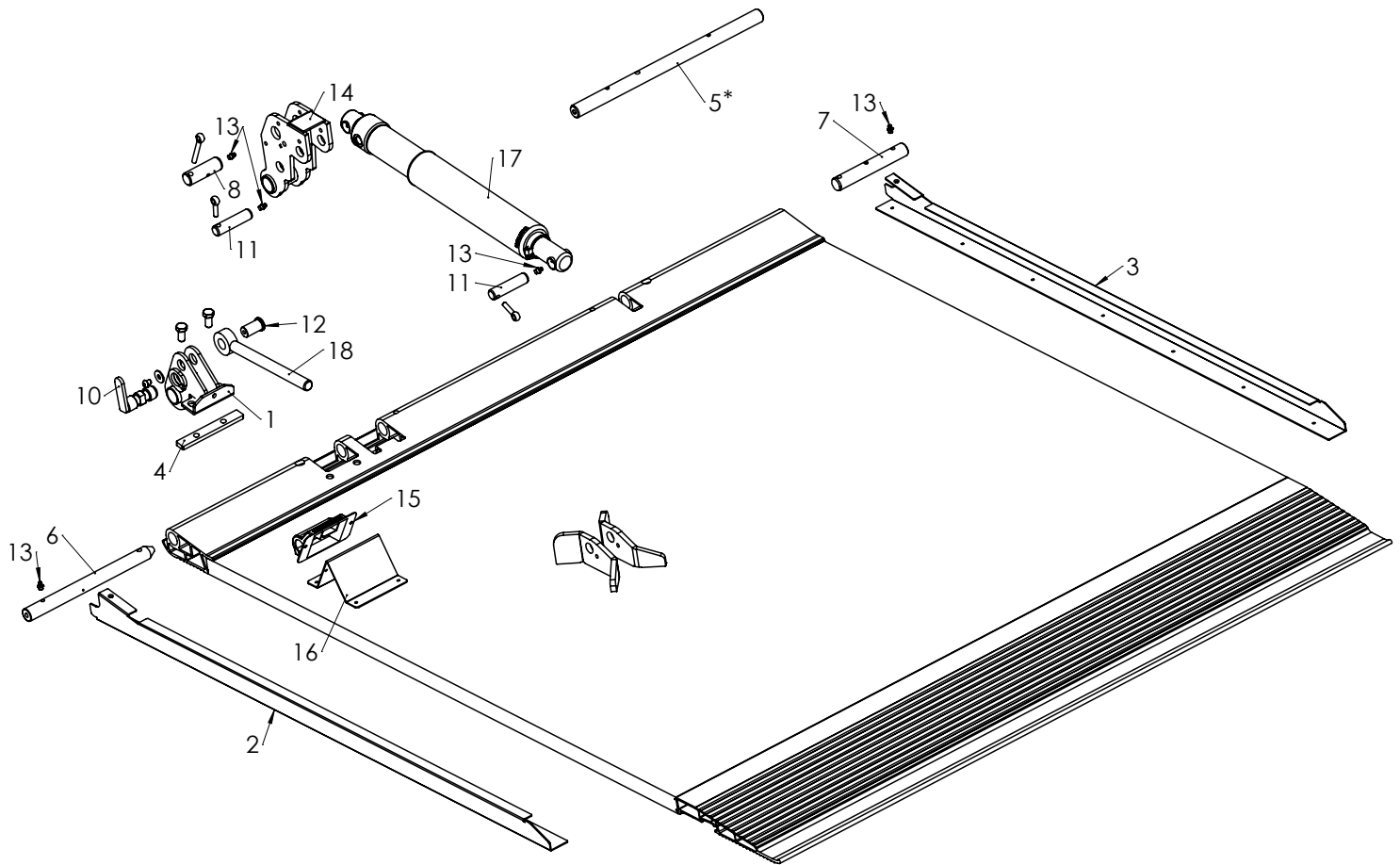
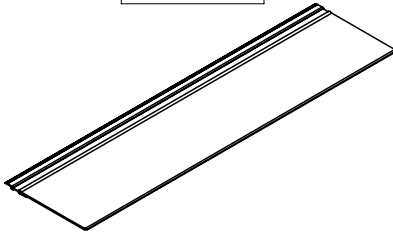


Pos	Code	Description
1	M4640.191	Rod GS50-40
2	M4535.050.C	Piston DA ø50-35 DKC
3	M4240.050.AG	Cylinder head guide ø50-40
4	DSD050.40	Seal set DA ø50-40
5	BC24.3	Spring washer M24 NMG452



Pos	Code	Description
1	V166.L.X.12	Logical valve left 12V -X-
1	V166.L.X.24	Valve power pack left SM.15 -X-
2	P030.12	Pump 1.2cc
3	MP005	Motor 24V 1.2KW
3	MP006	Motor 800W 12V
4	M3133.V181.L	Case power pack LSP07.01
5	M3003	Tank LSP
6	M0864	Rubber sealing DH-V
7	M0415.l	Support motor -l-
8	M0119	Collar motor 2000W
9	KSL0310.1-2	LP hose 310mm 1-2"
10	KSH0300.OO	HP hose E-E 400mm
11	K0700.3-8	Sealing ring 3/8"
12	K0088.50	Suction hose pump 50mm
13	K0084	Suction pump 90°
14	F022.OG	Air release cap orange 3/4
15	F020	Filter compl. >2008..
16	E2051	Connection block hydr.power pack >2010
17	E0793.M25	Lead through rubber E0793.M25
18	E0793	Lead through rubber E0793
19	E0634.12	Relay round TRBT 12V 150A
19	E0634.24	Relay round TRBT 24V 150A
20	E0093.21	Lead through rubber 21mm
21	E0064.R	Connection motor RIGHT
22	BMB10	Locking nut M10
23	BI10.020	Allenbolt with head M10x20
24	BI08.055	Allenbolt with head M8x55

M0932.LE.W



\* LSPZ PLT

Pos	Code	Description
1	XD.A.LSP.05.05.V04.B	Platformhand LSP.05.05 - V04 -B-
1	XD.A.LSP.05.05.V04	Platformhand LSP.05.05 - V04
1	XD.A.LSP.05.05.H04.B	Platformhand LSP.05.05 - H04 -B-
1	XD.A.LSP.05.05.H04	Platformhand LSP.05.05 - H04
2	M3529.LE.RZB	Side lip plt right LSP 1550mm
2	M3567.LE.R	Side lip plt right LSP H04 + Snr
3	M3529.LE.LZB	Side lip plt left LSP 1550mm
3	M3567.LE.L	Side lip plt left LSP H04 + Snr
4	M3421	Fixation platformhand LSP.05.05
4	M3421.B	Fixation platformhand LSP.05.05 54x94
5	M1725.440	Pin $\varnothing$ 25x440mm
6	M1725.299	Pin $\varnothing$ 25x299mm
7	M1725.163	Pin $\varnothing$ 25x163mm

Pos	Code	Description
8	M1725.076.BO08	Pin $\varnothing$ 25x76mm - BO08
9	M1725.068.C.R	Pin lock $\varnothing$ 25x74 -B-
10	M1725.068.B.R	Pin lock $\varnothing$ 25x74mm
11	M1720.081.BO08	Pin $\varnothing$ 20x81mm - BO08
12	M1718.040	Pin $\varnothing$ 18x40mm
12	M1720.040.B	Pin $\varnothing$ 20x40 -B-
13	M1701	Grease nipple M8
14	M1330	Swing bracket platform LSP.05.04
15	E0614.L	Body plug Type A - L
16	E0614.B	Mounting plate Reed sensor Plt LSP
17	CS57	Tilt cylinder CS57 + Snr
18	BO20.240.D	Eye bolt M20x240mm
18	M6312	Eye bolt M20x240mm