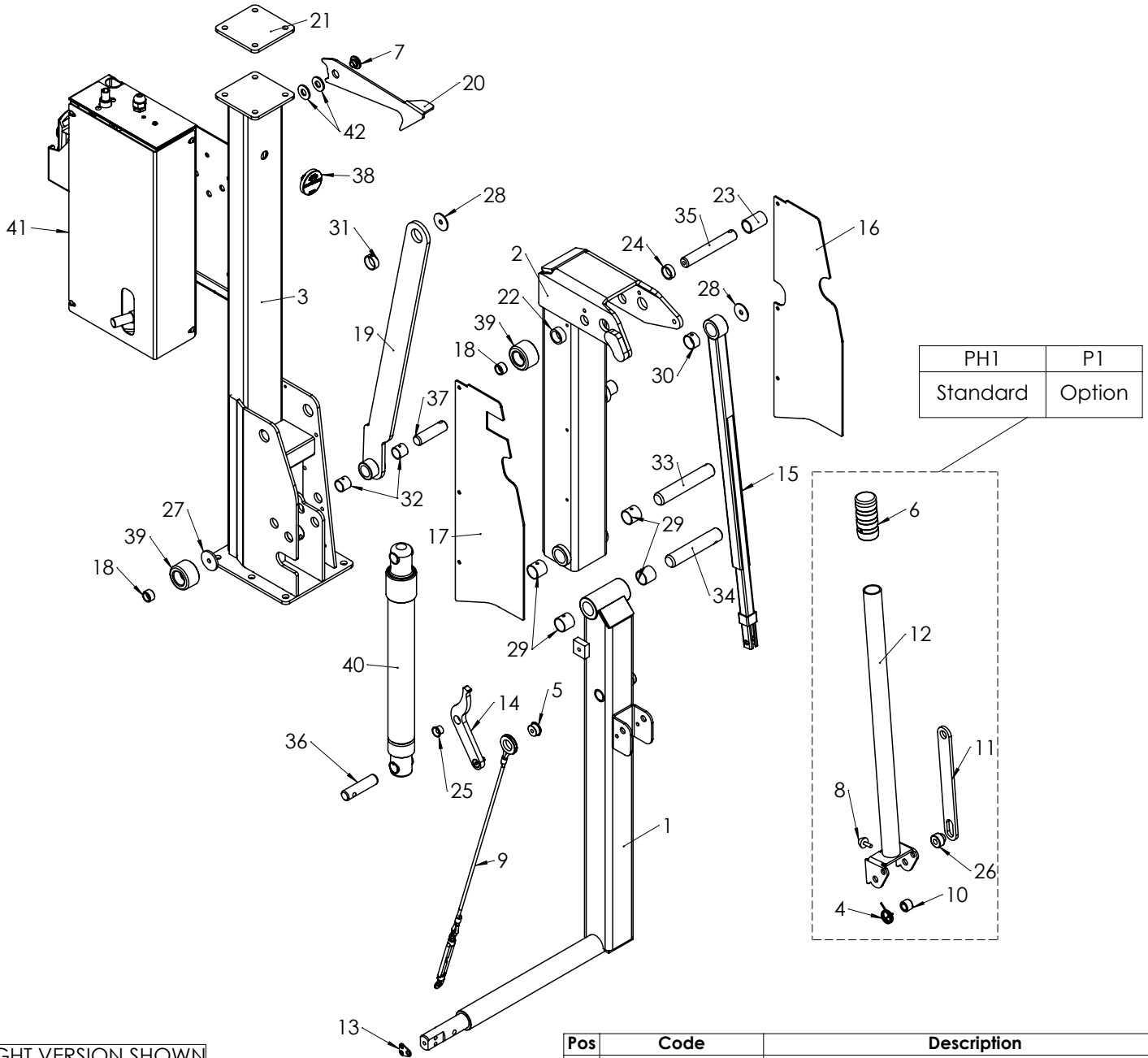


RIGHT VERSION SHOWN

Pos	Code	Description
1	XQH.PH1.B.LE.L-R	Lift arm PH1.B +Snr + L/R
2	XQH.PH1.A.LE.L-R	Lift arm PH1.A +Snr +L/R
3	XQF.PH1.D2.LE.R	Frame compl. right PH1.D2
3	XQF.PH1.D2.LE.L	Frame compl. left PH1.D2
4	XQF.PH1.D1.LE.R	Frame compl. right PH1.D1
4	XQF.PH1.D1.LE.L	Frame compl. left PH1.D1
5	VRW055	Torsion spring contact DHC
6	M6017	Bearing bush cable guide P20
7	M6011.H	Handle DHP
8	M6007	Spacer bush lock DHP
9	M5282	Rubber ø20x15mm - M6x18
10	M2823	Steel cable compl. PH1
11	M2822	Spacer bush spring PH1 ø12.5/20 x20mm
12	M2813.R	Lock right PH1.D
12	M2813.L	Lock left PH1.D
13	M2811.R	Upper plate frame PH1.D -R-
13	M2811.L	Upper plate frame PH1.D -L-
14	M2810	Bar railing PH1
15	M2809	Railing PH1
16	M2808	Fixation plate spring PH1
17	M2807	Lock arm PH1
18	M2806.LE.VKT	Rod close M2806 + Snr
19	M2805.610.R	Side profile right PH1 - 610mm
19	M2805.510.R	Side profile right PH1 - 510mm
20	M2805.610.L	Side profile left PH1 - 610mm
20	M2805.510.L	Side profile left PH1 - 510mm
21	M2804	Spacer bush alu M0868.30
22	M2803.LE	Lockable PH1 + Snr + L/R

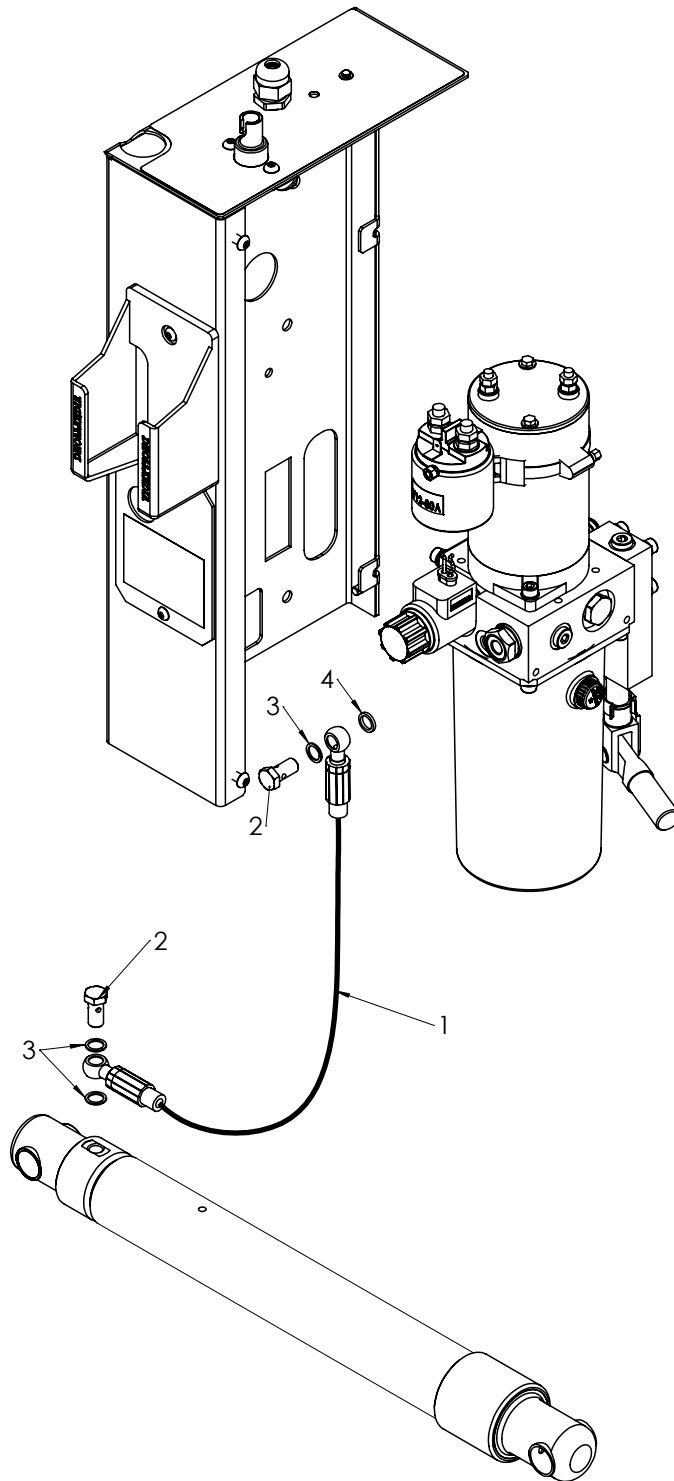
Pos	Code	Description
23	M2801.R	Lock right PH1
23	M2801.L	Lock left PH1
24	M2411	Spacer bush VZ20 - Exc.
25	M1923.30.12	Spacer bush ø30-23 x 12mm
26	M1921.27.40	Spacer bush ø27/21x40mm
27	M1921.27.09	Spacer bush ø27/21x9mm
28	M1915.20.12	Spacer bush lock ø15/20x12.5
29	M1910.25.19	Spacer bush ø25-16/10.5 x 19.5mm
30	M1908.40.4	Washer ø40/8.5x4mm
31	M1908.35.2	Washer ø35/8.5x2mm
32	M1830.30T	Bearing bush ø30x30mm
33	M1825.25T	Bearing bush ø25x25mm
34	M1825.15T	Bearing bush ø25x15mm
35	M1825.10T	Bearing bush ø25x10mm
36	M1820.25T	Bearing bush ø20x25mm
37	M1820.20T	Bearing bush ø20x20mm
38	M1815.10T	Bearing bush ø15x10mm
39	M1725.140.BO08	Pin ø25x140mm
40	M1725.130.BO08	Pin ø25x130mm - BO08
41	M1720.132.BO08	Pin ø20x132mm - BO08
42	M1720.080.BO08.B	Pin ø20x80mm - BO08 - B
43	M1720.073.BO08	Pin ø20x73mm - BO08
44	M1425	Protection cap orange 100x50
45	M1405	Closing cap rubber ø50
46	M0868.30	Rubber ring ø50x30mm
47	M0502.60.40	Closing cap synthetic 60x40
48	CHQ01	Lift cylinder P1
49	G.P	Power pack P + Snr
50	BC12.S	Conical spring washer M12



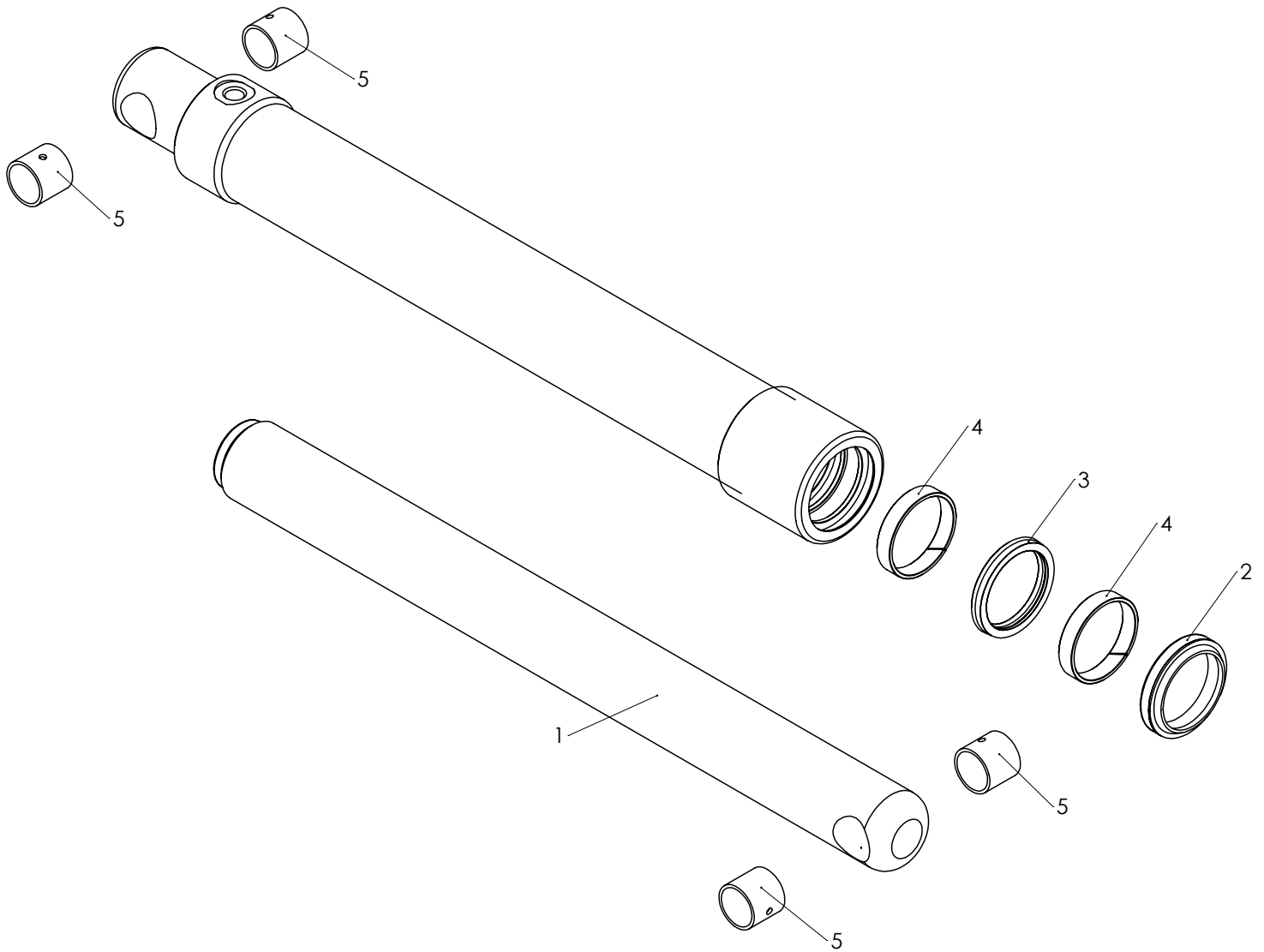
RIGHT VERSION SHOWN

Pos	Code	Description
20	M2801.R	Lock right PH1
20	M2801.L	Lock left PH1
21	M2800	Fixation plate frame PH1
22	M1923.30.12	Spacer bush ø30-23 x 12mm
23	M1921.27.40	Spacer bush ø27/21x40mm
24	M1921.27.09	Spacer bush ø27/21x9mm
25	M1915.20.12	Spacer bush lock ø15/20x12.5
26	M1910.25.19	Spacer bush ø25-16/10.5 x 19.5mm
27	M1908.40.4	Washer ø40/8.5x4mm
28	M1908.35.2	Washer ø35/8.5x2mm
29	M1825.25T	Bearing bush ø25x25mm
30	M1825.15T	Bearing bush ø25x15mm
31	M1825.10T	Bearing bush ø25x10mm
32	M1820.20T	Bearing bush ø20x20mm
33	M1725.140.BO08	Pin ø25x140mm
34	M1725.130.BO08	Pin ø25x130mm - BO08
35	M1720.132.BO08	Pin ø20x132mm - BO08
36	M1720.080.BO08.B	Pin ø20x80mm - BO08 - B
37	M1720.073.BO08	Pin ø20x73mm - BO08
38	M1405	Closing cap rubber ø50
39	M0868.30	Rubber ring ø50x30mm
40	CHQ01	Lift cylinder P1
41	G.P	Power pack P + Snr
42	BC12.S	Conical spring washer M12

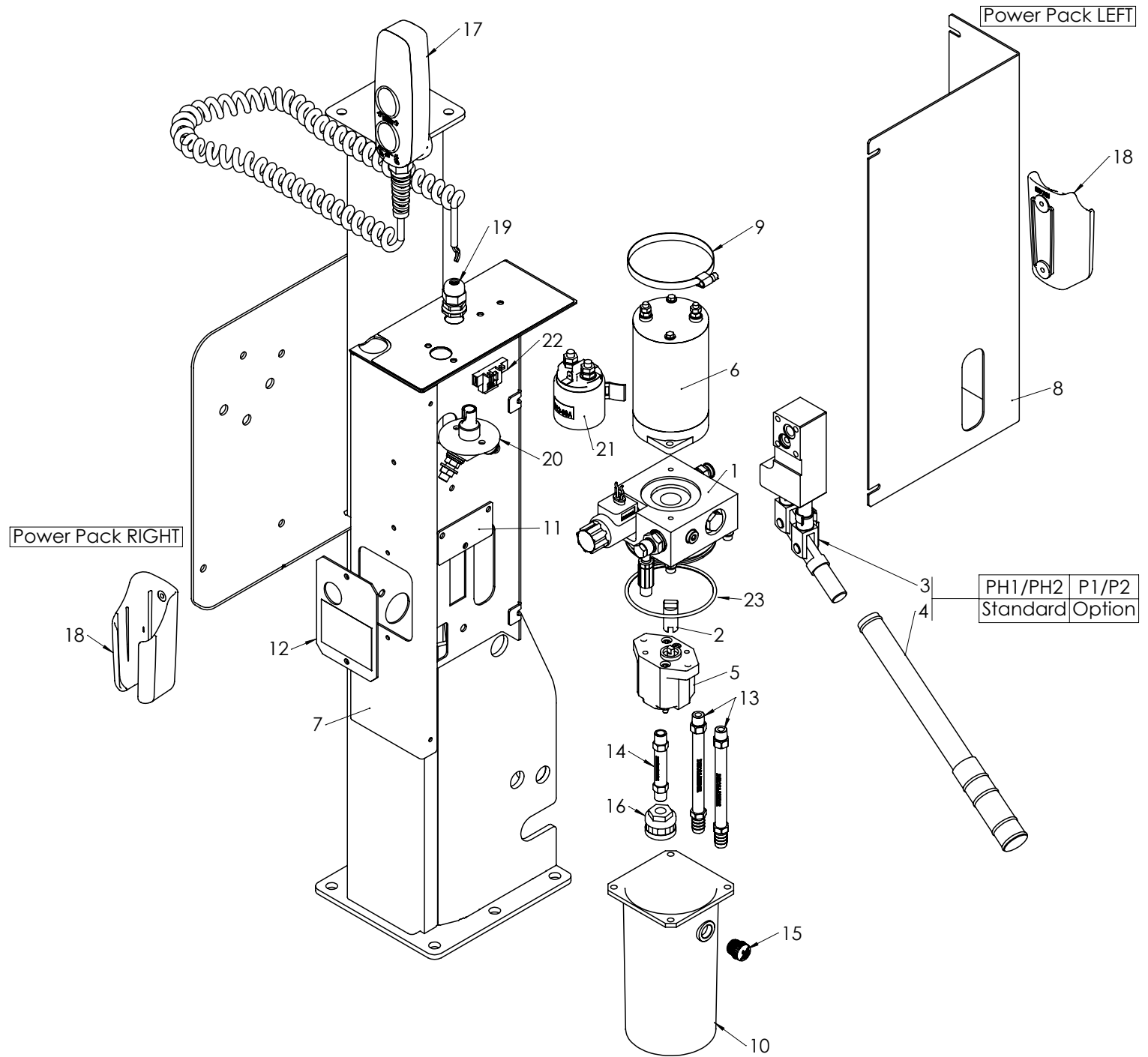
Pos	Code	Description
1	XQH.PH1.B.LE.L-R	Lift arm PH1.B +Snr + L/R
2	XQH.PH1.A.LE.L-R	Lift arm PH1.A +Snr +L/R
3	XQF.PH1.V.LE.L-R	Frame fixed PH1 + Snr L/R
4	VRW055	Torsion spring contact DHC
5	M6017	Bearing bush cable guide P20
6	M6011.H	Handle DHP
7	M6007	Spacer bush lock DHP
8	M5282	Rubber ø20x15mm - M6x18
9	M2823	Steel cable compl. PH1
10	M2822	Spacer bush spring PH1 ø12.5/20 x20mm
11	M2810	Bar railing PH1
12	M2809	Railing PH1
13	M2808	Fixation plate spring PH1
14	M2807	Lock arm PH1
15	M2806.LE.VKT	Rod close M2806 + Snr
16	M2805.510.R	Side profile right PH1 - 510mm
16	M2805.610.R	Side profile right PH1 - 610mm
17	M2805.510.L	Side profile left PH1 - 510mm
17	M2805.610.L	Side profile left PH1 - 610mm
18	M2804	Spacer bush alu M0868.30
19	M2803.LE	Lockable PH1 + Snr + L/R



Pos	Code	Description
1	KSL1600.OO	LP hose E-E 1600mm
2	K0110	Banjo simple M10x1
3	K0700.10x1	Sealing ring 10x1mm
4	K0700.10x2	Sealing ring 10x2mm



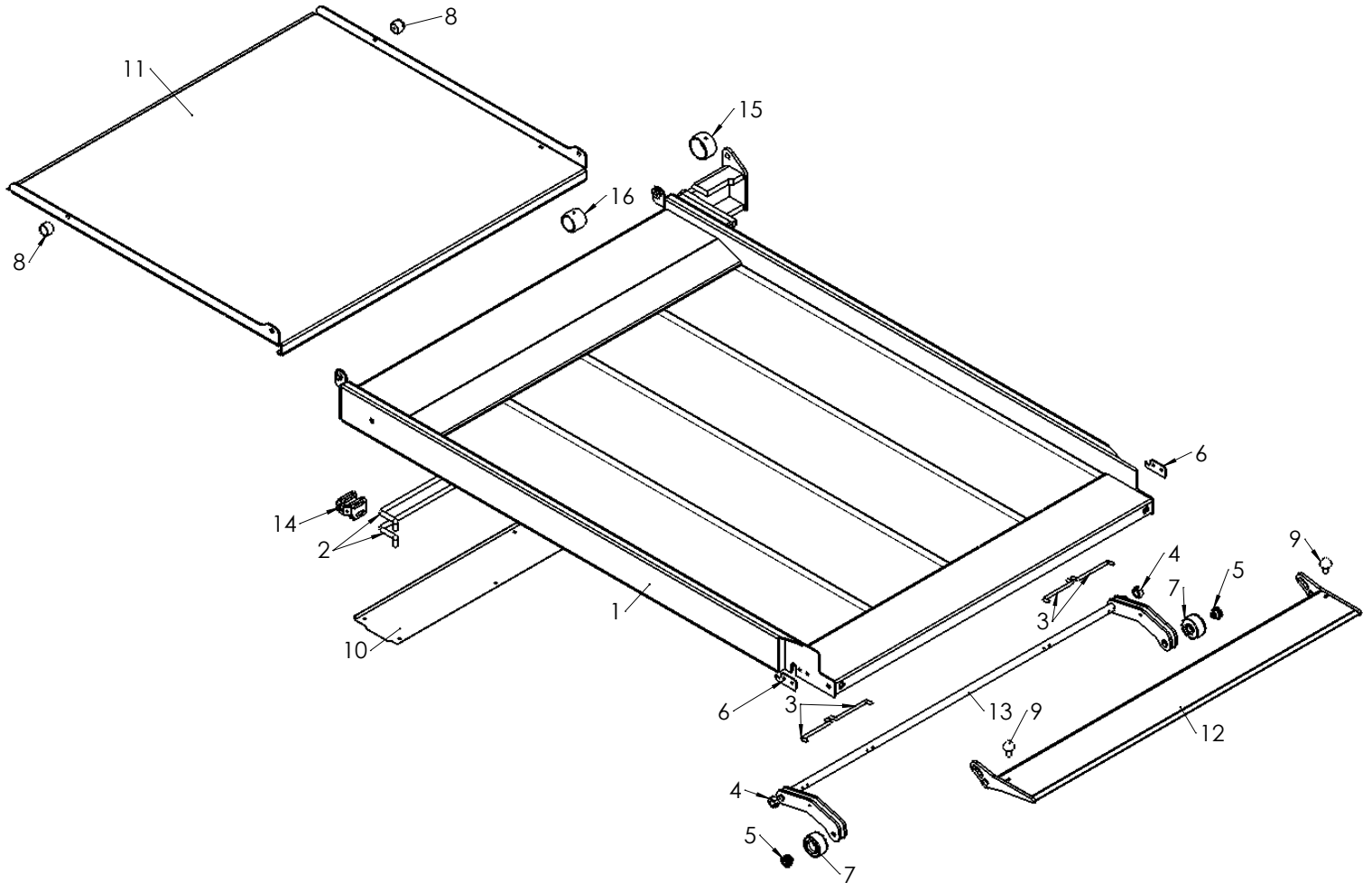
Pos	Code	Description
1	M4640.437	Rod PH1 $\varnothing 40 \times 437$ mm
2	DV040.S	Scraper steel $\varnothing 40$
3	DG040	Groove seal $\varnothing 40$
4	DG040.85.PL	Ring guide $\varnothing 40 - 8.5$ mm
5	M1820.20T	Bearing bush $\varnothing 20 \times 20$ mm
6	M4640.487	Rod PH1 $\varnothing 40 \times 487$ mm



PH1/PH2	P1/P2
Standard	Option

Pos	Code	Description
1	V124.24	Logical valve compl. P20/CH 24V
1	V124.12	Logical valve compl. P20/CH 12V
2	P900	Connection MP003 - P016
3	P032	Hand pump DHP20/21
4	P019.H.0300	Handle hand pump P019,P032,P033,P034
5	P016	Pump 0.48cc DHVZ
6	MP003	Motor 500W 24V
6	MP004	Motor 500W 12V
7	M6057	Case hydr.power pack DH-P20/21
8	M6056	Cover hydr.power pack DH-P20/21
8	M6061.O1	Cover hydr.power pack G.P + P032
9	M4901.090	Collar ø90
10	M3005.1	Tank DHC 1 liter
11	M2815	Spacer hydr.power pack G.P

Pos	Code	Description
12	M2814	Closing plate hydr.power pack G.P
13	K0360.150	Hydraulic pipe synthetic 1/4" 150mm
14	K0360.085	Hydraulic pipe synthetic 1/4" 85mm
15	F009	Air release cap 3/8"
16	F008	Filter 1/4"
17	E0783.E.Z	Wander lead 2 buttons E Contact
18	E0781	Holder wander lead
19	E0155	Muff chuck PG11
20	E0068	Battery switch
21	E0053	Relay 80A 24V
21	E0054	Relay 80A 12V
22	E0034	Fuse-holder control box
23	DO090.35	O-ring ø90x3.5



Pos	Code	Description
1	XQKS.PH1.LE.W.R	Fixed part steel platform PH1 + Snr
1	XQKS.PH1.LE.W.L	Fixed part steel platform PH1 + Snr
2	VRX100	Torsion spring platform P1 - ø6mm
3	VRX071	Spring pallet stop assembly DHP
4	M6022	Spacer ring pallet stops P20
5	M6021	Nut M6001 M8 (DH-P)
6	M6020	Plate pallet stops DH-P
7	M6002	Roll pallet stops DHP ø40
8	M5285	Rubber M6 ø20x15mm
9	M5282	Rubber ø20x15mm - M6x18
10	M2821.0820	Closing plate platform PH1-Pit 820
10	M2821.0720	Closing plate platform PH1-Pit 720
11	M2820.0820.R	Bridge plate right PH1-Pit 820
11	M2820.0820.L	Bridge plate left PH1-Pit 820
11	M2820.0720.R	Bridge plate right PH1-Pit 720
11	M2820.0720.L	Bridge plate left PH1-Pit 720
12	M2819.0820	Pallet stop flap PH1-Pit 820
12	M2819.0720	Pallet stop flap PH1-Pit 720
13	M2818.0820	Lever pallet stop PH1-Pit 820
13	M2818.0720	Lever pallet stop PH1-Pit 720
14	M2817.0820	Fixation bracket torsion spring PH1-Pit 820
14	M2817.0720	Fixation bracket torsion spring PH1-Pit 720
15	M1840.25T	Bearing bush ø40x25mm
16	M1830.30T	Bearing bush ø30x30mm