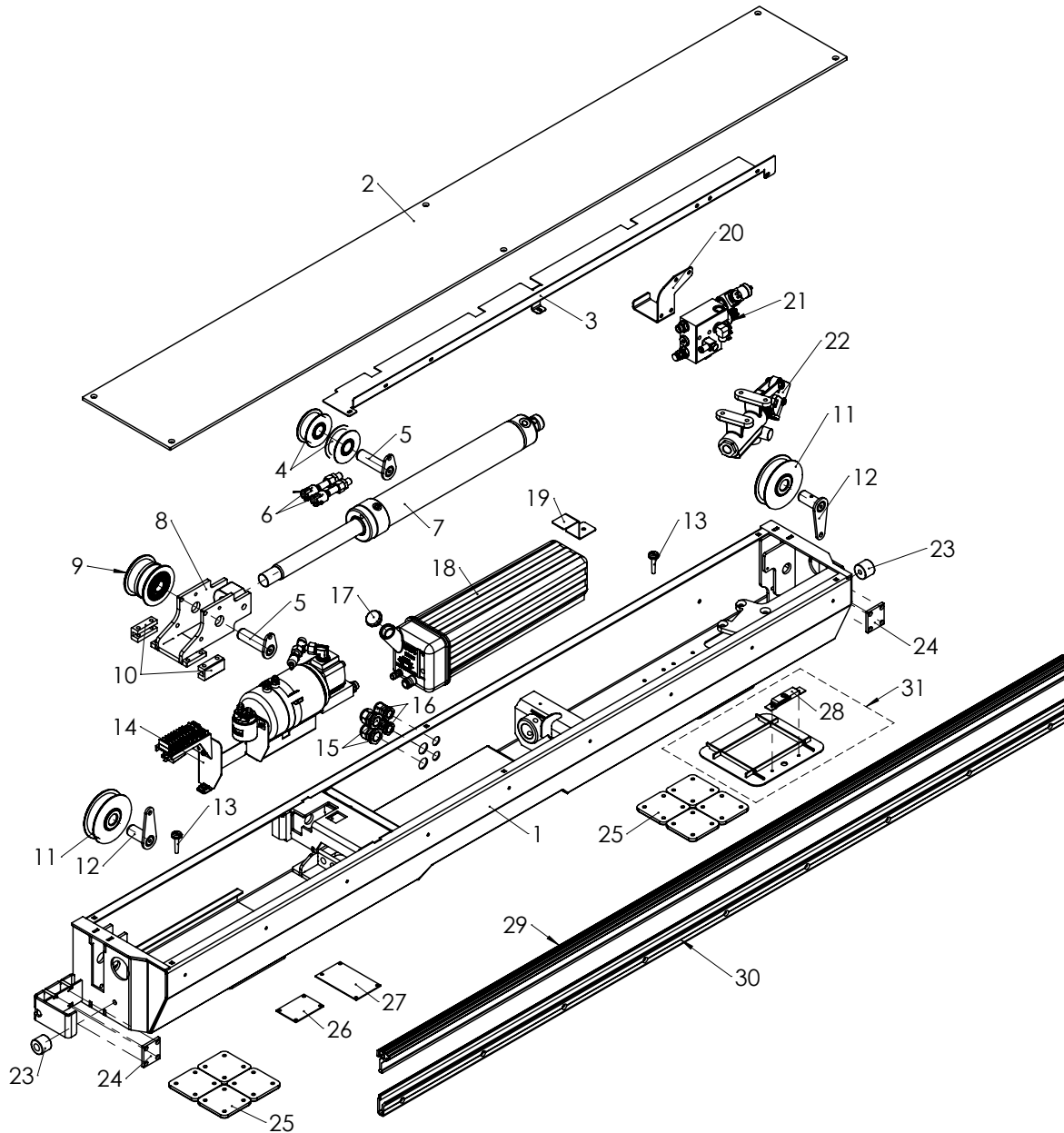
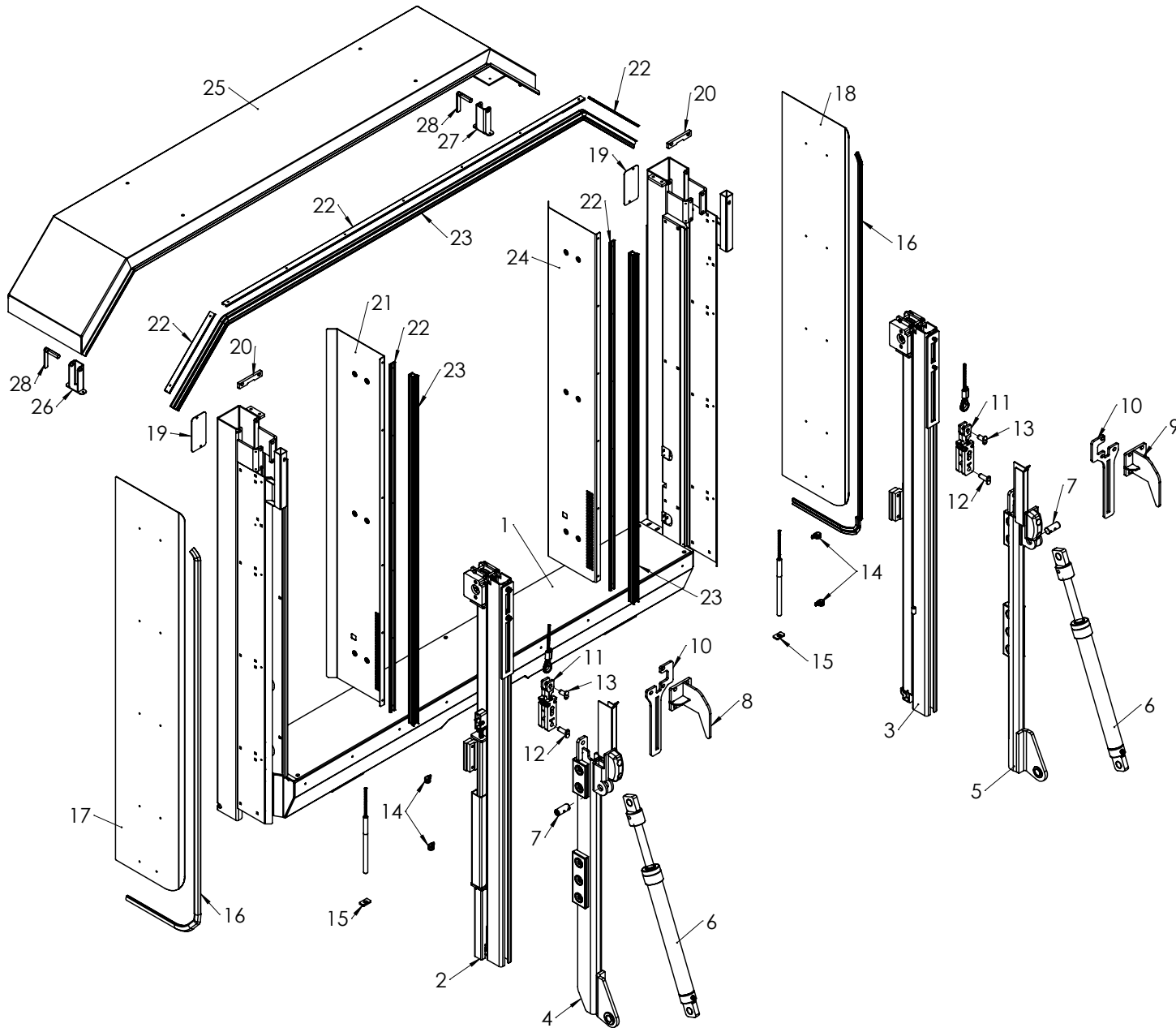


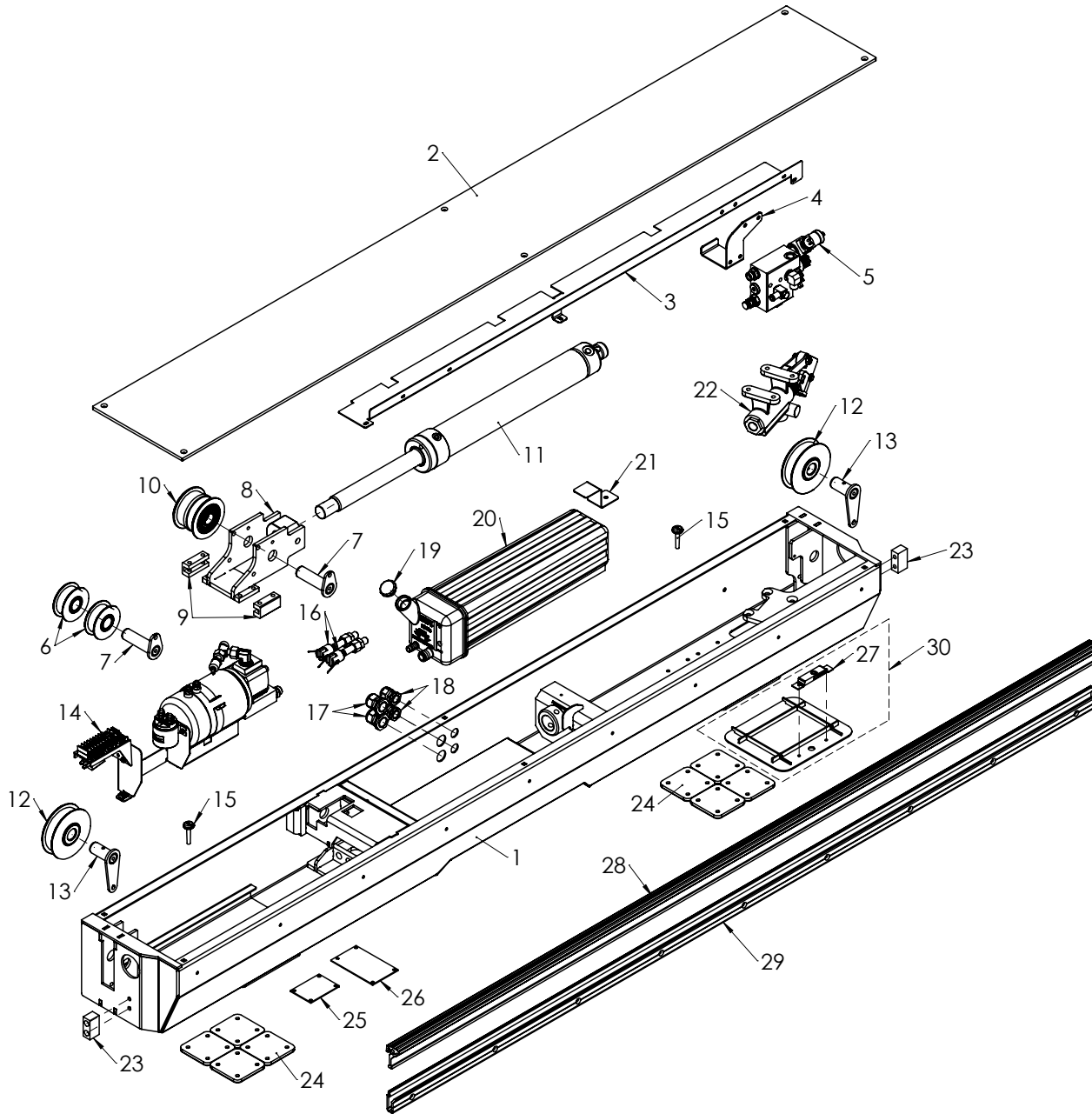
Pos	Code	Description
1	XVF.VMC3.W.H.S	Frame compl. VMC3 + Snr
2	MV2000.0000.1755.S.L	Lift runner compl. left 1755mm
3	MV2000.0000.1755.S.R	Lift runner compl. right 1755mm
4	MV2001.1047.1455.S.L	Lift runner left CC=1047 L=1455
5	MV2001.1047.1455.S.R	Lift runner right CC=1047 L=1455
6	CSV40	Tilt cylinder CSV40 + Snr
7	M1725.058	Pin \varnothing 25x58mm
8	MV2032.385	End stop lift runner VMC3 385mm
9	MV2015.L	Hook column Links
10	MV2002	Cable break safety DH-VMC3
11	M1715.049	Pin \varnothing 15x49mm
12	M1715.036	Pin \varnothing 15x36mm
13	MV2015.R	Hook column Rechts
14	MV2018	Washer lift runner VMC3
15	BS.15.12	Cable clamping rubber \varnothing 12 mm
16	M0864	Rubber sealing DH-V
17	BX11.1	Curtain fixation hook galva 3 \varnothing
18	MV2012.1760.360.L	Closing plate left 1760x360mm
19	MV2014.L	Guide synthetic Links
20	MV2035	Closing plate C-profile VMC3
21	MV2016.L	Cover column Links
22	MV2013.1600.313.L	Closing plate left 1600x313mm
23	M0050	Profile alu M49-M515-M865 /m
24	M0865	Sealing platform rubber /meter
25	MV2017	End stop lift runner VMC3
26	MV2013.1600.313.R	Closing plate right 1600x313mm
27	MV2016.R	Cover column Rechts
28	MV2014.R	Guide synthetic Rechts
29	MV2012.1760.360.R	Closing plate right 1760x360mm



Pos	Code	Description
1	XVF.VMC3.W.H	Cylinder beam empty VMC3 + Snr
2	MV2003.2090.271	Cover 2090x271mm
3	MV2004.1329	Guide chain 1329mm
4	MV0111.79.31	Chain wheel simple ø79x31mm
5	M1724.091	Pin ø24.8x81mm 35cc
6	MV0200.G	Chain anchor
7	CHV40	Lift cylinder CHV40 + Snr
8	MV2009	Sliding hand lift cylinder VMC3
9	MV0112.96.64	Chain wheel double ø96x64mm
10	MV2009.K	Guide synthetic MV2009
11	MV0111.117.35	Chain wheel simple ø117x35mm
12	M1725.060.A	Pin ø25x60 mm - 50cc
13	E0093.G	Rubber drainage Hesselman
14	G.VMC3	Hydr.power pack VMC3
15	E0158.25	Muff chuck M25x1.5
16	E0158.20	Muff chuck M20x1.5
17	F010	Air release cap VMC3 3/4"
18	M3006	Tank right 150 - 5L
19	MV2005	Fixation bracket tank M3006
20	MV2010	Fixation bracket V127.24
21	V127.24	Logical valve EW + 3/2WAY 24V VMC3
22	P031	Hand pump 43ccm
23	M1910.35.28	Ring Nylon ø35/11x28.50
24	MV2011	Guide synthetic 55x91x6
25	M2010.10	Protection block platform 10mm
26	MV2006	Closing plate box VMC3
27	MV2007	Closing plate box VMC3
28	M0157	Lock control box <92
29	M0863	Sealing platform rubber under
30	M0863A.2115	Profile rubber M0863 2115mm VMC3
31	MV2008.S	Cover emergency operation VMC3



Pos	Code	Description
1	XVF.VMC3.W.H.B.S	Frame compl. VMC3 + Snr
2	MV2000.0000.1755.S.L	Lift runner compl. left 1755mm
3	MV2000.0000.1755.S.R	Lift runner compl. right 1755mm
4	MV2001.1047.1455.S.L	Lift runner left CC=1047 L=1455
5	MV2001.1047.1455.S.R	Lift runner right CC=1047 L=1455
6	CSV40	Tilt cylinder CSV40 + Snr
7	M1725.058	Pin ø25x58mm
8	MV2015.L	Hook column Links
9	MV2015.R	Hook column Rechts
10	MV2032.385	End stop lift runner VMC3 385mm
11	MV2002	Cable break safety DH-VMC3
12	M1715.049	Pin ø15x49mm
13	M1715.036	Pin ø15x36mm
14	BS.15.12	Cable clamping rubber ø12 mm
15	MV2018	Washer lift runner VMC3
16	M0864	Rubber sealing DH-V
17	MV2012.1760.360.B.L	Closing plate left 1760x360mm -B-
18	MV2012.1760.360.B.R	Closing plate right 1760x360mm -B-
19	MV2035	Closing plate C-profile VMC3
20	MV2017	End stop lift runner VMC3
21	MV2013.1600.280.B.L	Closing plate left 1600x280mm -B-
22	M0050	Profile alu M49-M515-M865 /m
23	M0865	Sealing platform rubber /meter
24	MV2013.1600.280.B.R	Closing plate right 1600x280mm -B-
25	MV2036.LE.W	Closing plate upper VMC3 + Snr
26	MV2037.L	Lock left VMC3
27	MV2037.R	Lock right VMC3
28	M1715.065.B	Pin lock VMC3 ø15x65mm



Pos	Code	Description
1	XVF.VMC3.W.H.B	Cylinder beam empty VMC3 + Snr
2	MV2003.2090.271	Cover 2090x271mm
3	MV2004.1329	Guide chain 1329mm
4	MV2010	Fixation bracket V127.24
5	V127.24	Logical valve EW + 3/2WAY 24V VMC3
6	MV0111.79.31	Chain wheel simple ø79x31mm
7	M1724.091	Pin ø24.8x81mm 35cc
8	MV2009	Sliding hand lift cylinder VMC3
9	MV2009.K	Guide synthetic MV2009
10	MV0112.96.64	Chain wheel double ø96x64mm
11	CHV40	Lift cylinder CHV40 + Snr
12	MV0111.117.35	Chain wheel simple ø117x35mm
13	M1725.060.A	Pin ø25x60 mm - 50cc
14	G.VMC3	Hydr.power pack VMC3
15	E0093.G	Rubber drainage Hesselman
16	MV0200.G	Chain anchor
17	E0158.25	Muff chuck M25x1.5
18	E0158.20	Muff chuck M20x1.5
19	F010	Air release cap VMC3 3/4"
20	M3006	Tank right 150 - 5L
21	MV2005	Fixation bracket tank M3006
22	P031	Hand pump 43ccm
23	MV2038	Guide synthetic VMC3 50x28
24	M2010.10	Protection block platform 10mm
25	MV2006	Closing plate box VMC3
26	MV2007	Closing plate box VMC3
27	M0157	Lock control box <92
28	M0863	Sealing platform rubber under
29	M0863A.2115	Profile rubber M0863 2115mm VMC3
30	MV2008.S	Cover emergency operation VMC3



DHOLLANDIA

Main Group: _____

Hydraulic schemes

Sub Group: _____

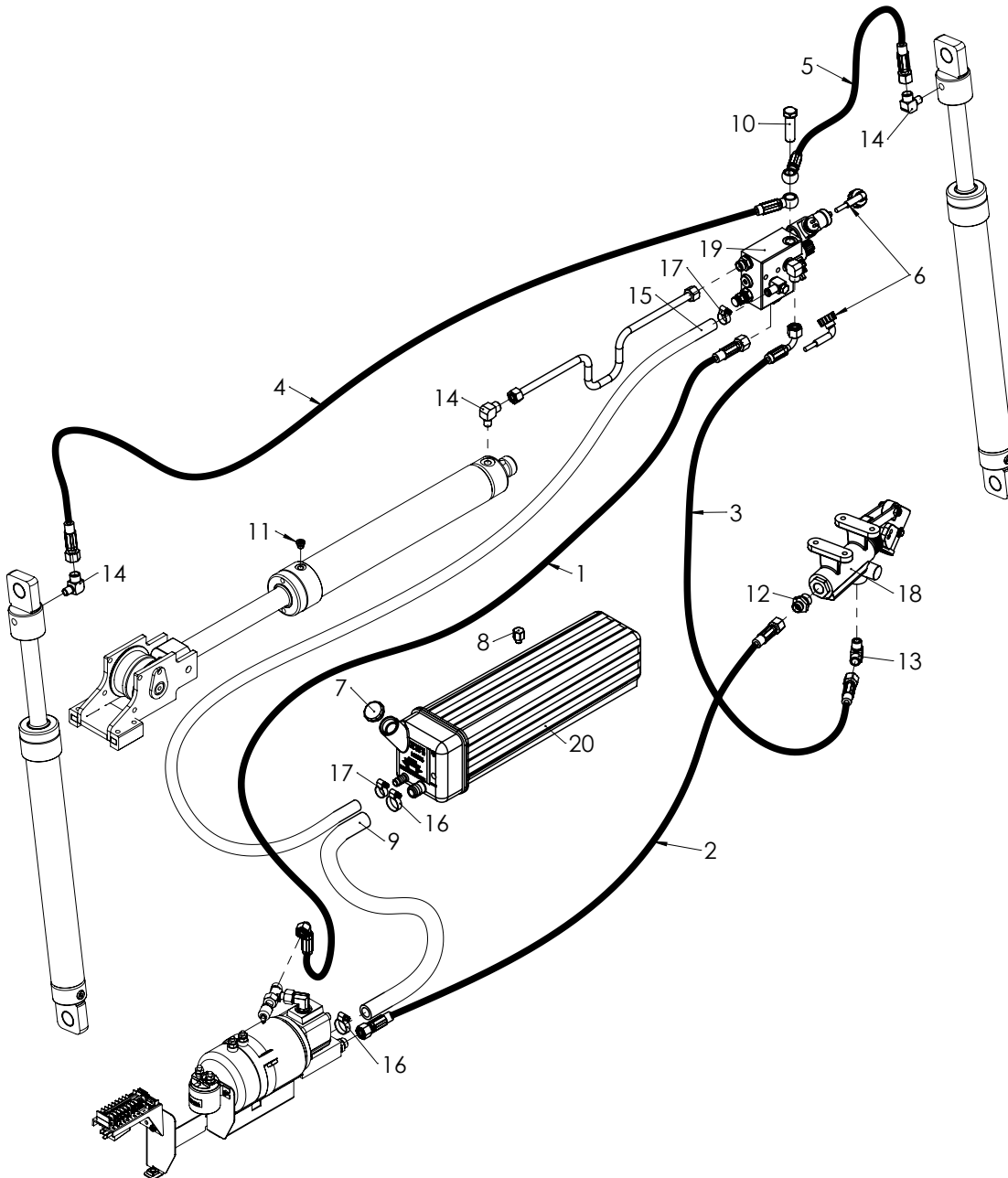
Column lifts

Description Sales Article: _____

Hydraulic assembly VMC3 + Snr

Sales Article: _____

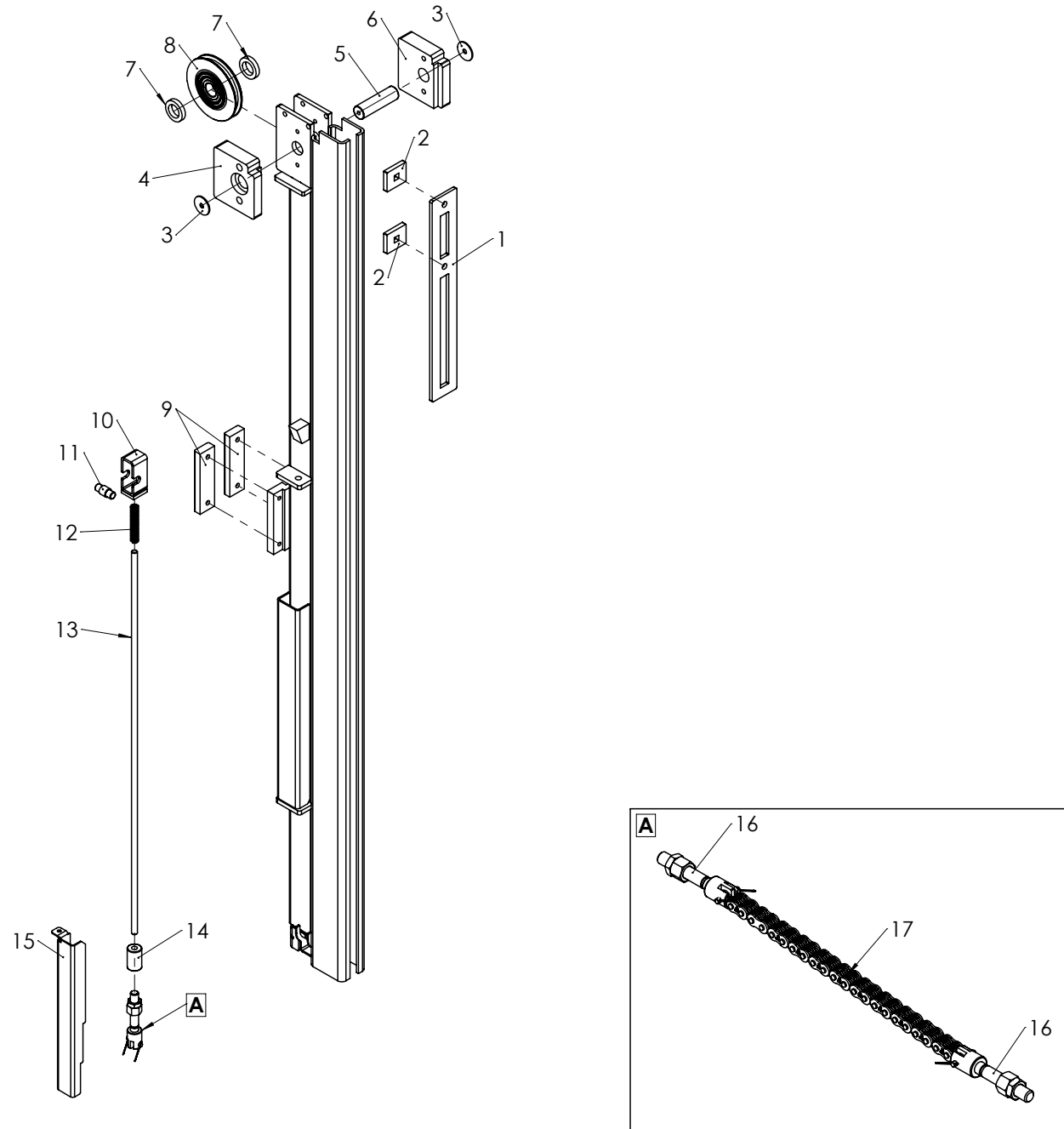
VMC3-F01



Pos	Code	Description
6	E0086	Cable safety valve Costal
7	F010	Air release cap VMC3 3/4"
8	F012	Air release cap M10
9	K0088.1340	Suction hose pump VMC3 1340mm
10	K0197.1	Banjo braking valve ø1
11	K0702.10	Closing cap M10x1
12	K1203	Coupling straight 1/2"-12
13	K1226	Coupling 90° 3/8"-12
14	K1227	Coupling 90° 1/4"-12
15	KSL.1-2	LP hose 1/2" - /m
16	M0357	Collar suction hose
17	M0365	Collar return hose ø20
18	M3006	Tank right 150 - 5L
19	P031	Hand pump 43ccm
20	V127.24	Logical valve EW + 3/2WAY 24V VMC3

HYDRAULIC HOSES

Ref.	All
1	KSH1400.MN
2	KSH1200.MM
3	KSH0400.MN
4	KSH3550.MO
5	KSH1850.MO



Pos	Code	Description
1	MV2034.420	End stop lift runner VMC3 420mm
2	MV2033	Plate bolt BH10
3	M1908.35.2	Washer ø35/8.5x2mm
4	MV2019.L	Guide left
5	M1725.085	Pin ø25x85 mm
6	MV2019.R	Guide right
7	M1925.40.8	Spacer ring ø40/25x8mm
8	MV0101.08.118.17	Cable guide ø118x17mm - Cable ø8
9	MV2020	Guide synthetic MV2000
10	MV2028.B	Block safety chain break
11	MV2028	Pin safety chain break ø16/13x37.50mm
12	VRD088	Pressure spring BD=14 L=70 DD=1.6mm
13	MV2029	Threaded rod chain M10 800mm
14	MV2030	Connection block M10 MV2029
15	MV2021.L	Cover chain L VMC3
15	MV2021.R	Cover chain R VMC3
16	MV0200.G	Chain anchor
17	MV0200.Z.LE	Chain galvanized 4x4 5/8" / m



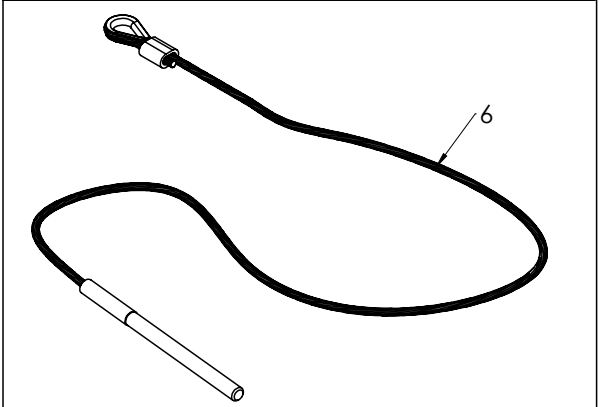
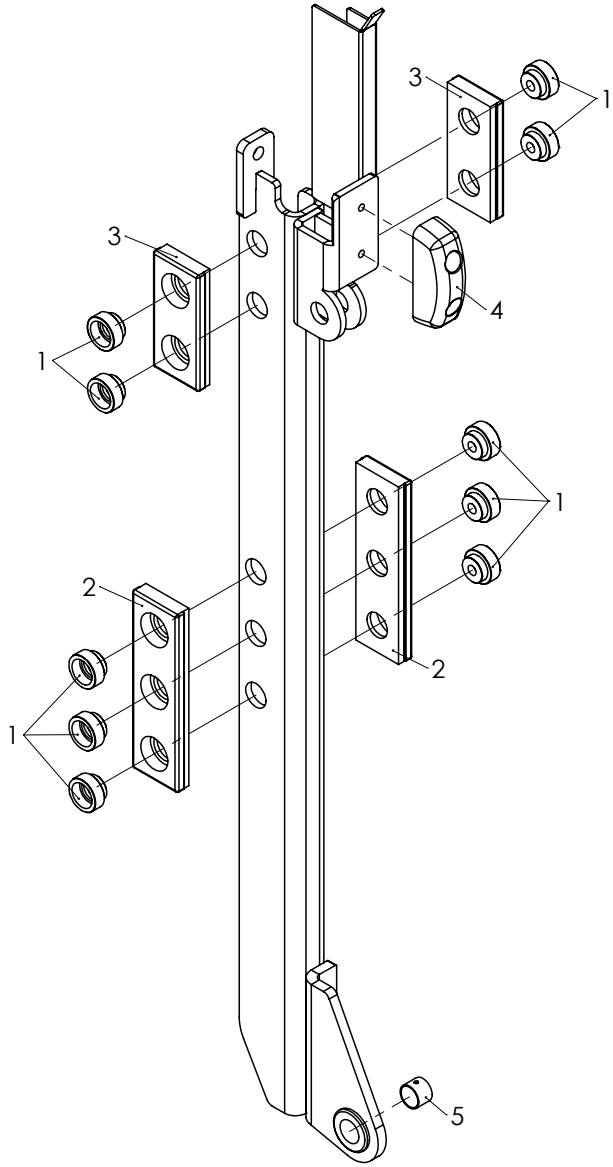
Main Group: _____
Mechanical components

Sub Group: _____
Lift runners

Sales Article: _____
MV2001

Description Sales Article: _____
Lift runner VMC3 + Snr

Pos	Code	Description
1	MV2022.G	Spacer bush MV2022
2	MV2022.230	Guide synthetic 230x68mm
3	MV2022.150	Guide synthetic 150x68mm
4	M1415	Rubber 125x40x45 mm
5	M1825.20T	Bearing bush \varnothing 25x20mm
6	MV0002.08.LE	Steel cable E-T M16x180 \varnothing 8





DHOLLANDIA

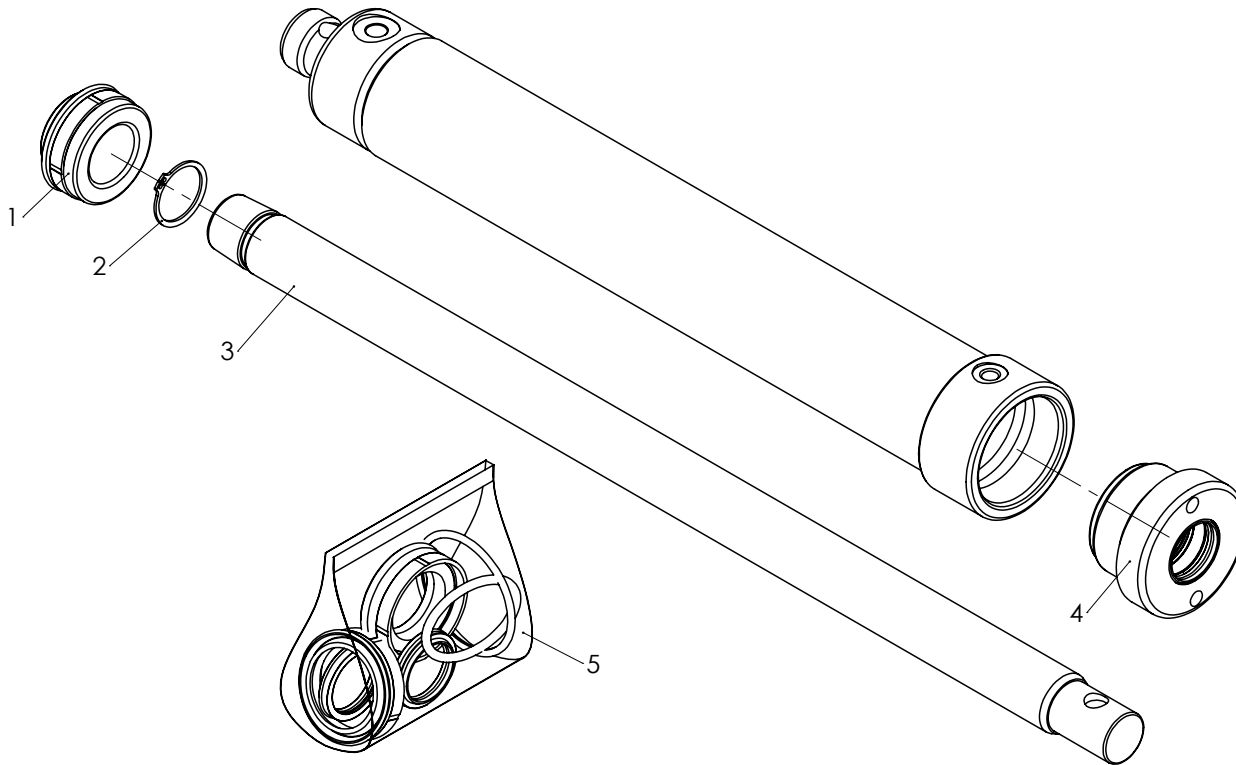
Main Group: _____
Hydraulic cylinders

Sub Group: _____
Lift cylinders

Description Sales Article: _____
Lift cylinder CHV40 + Snr

Sales Article: _____
CHV40

Pos	Code	Description
1	M4435.060	Piston SA ø60-35
2	BC34	Circlip exterior M34
3	M4735.0671	Rod ø35x671mm
4	M4235.060.AG	Cylinder head guide ø60-35
5	DSE060.35	Seal set SA ø60-35





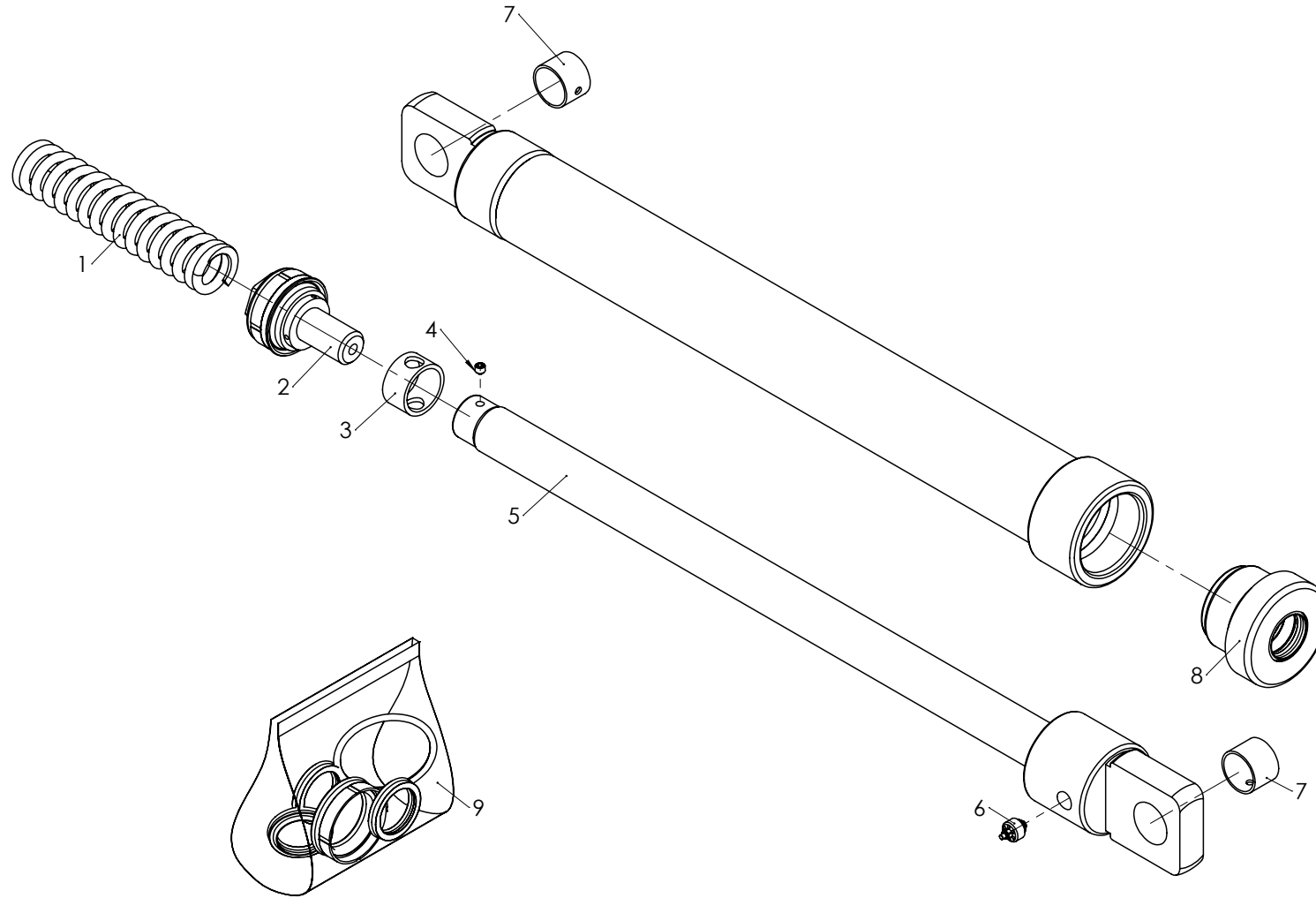
Main Group: _____
Hydraulic cylinders

Sub Group: _____
Tilt cylinders

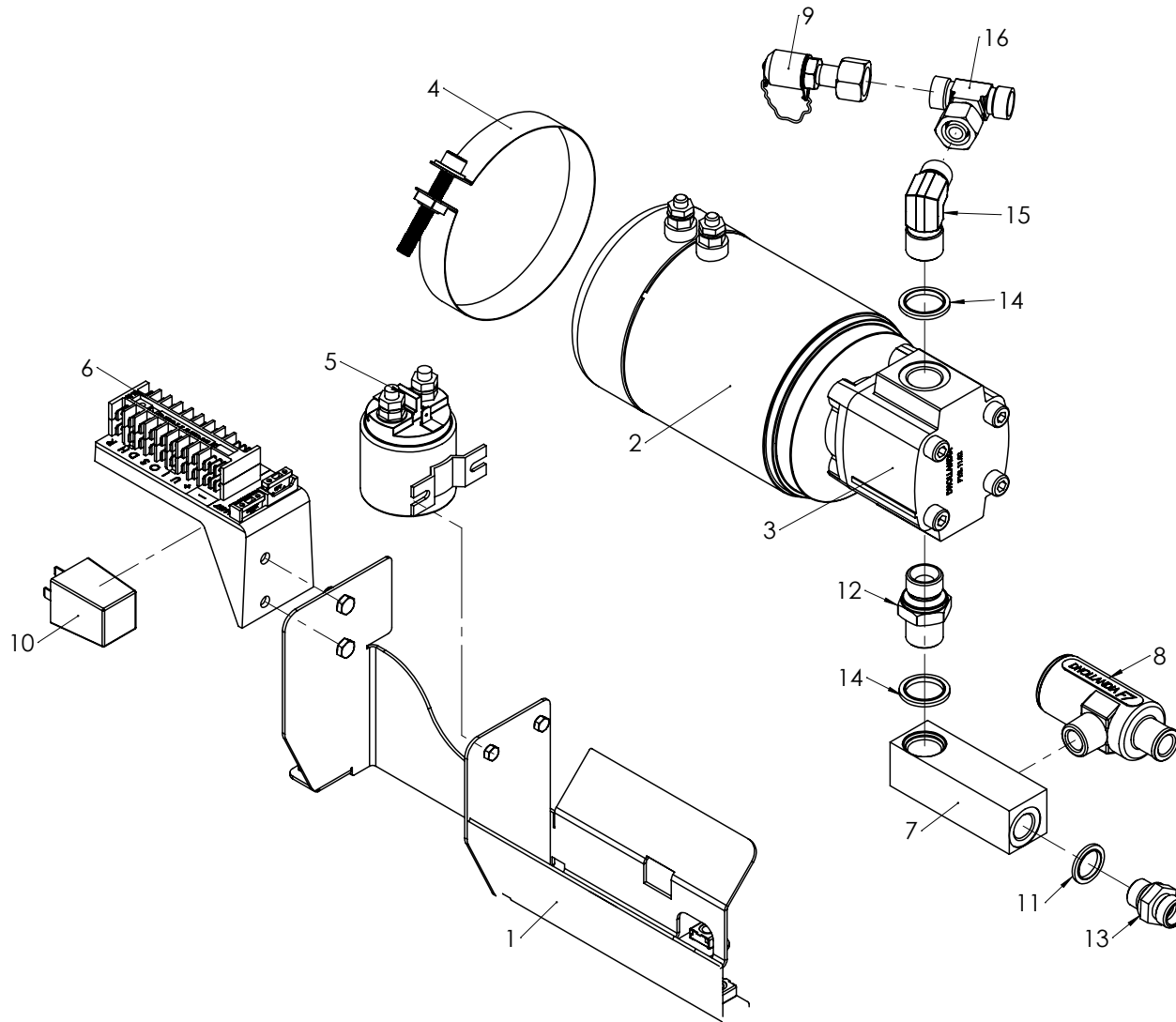
Description Sales Article: _____
Tilt cylinder CSV40 + Snr

Sales Article: _____
CSV40

Pos	Code	Description
1	VRD086	Pressure spring BD=34 L=140 DD=6mm
2	M4404.050	Piston ø50 VS
3	M4833.34	Ring cylinder rod VS - ø34/28.5
4	BB06.06	Allenbolt headless M6x6
5	M4630.515	Rod ø30x515
6	V098	Hydraulic safety valve 1/4"
7	M1825.20T	Bearing bush ø25x20mm
8	M4230.050.SG	Cylinder head guide ø30-50
9	DSE050.30	Seal set SA ø30-50



Pos	Code	Description
1	MV2023	Support power pack G.VMC.01
2	MP025	Motor 24V 2000W
3	P012	Pump 9A - 1.6cc - 3.2L
4	M0119	Collar motor 2000W
5	E0058	Starting relay 150A 24V
6	M0457	Connection block hydr.power pack
7	F011	Connection filter body F007
8	F007	Filter compl.
9	K0107.12	Connection pressure gauge 12L
10	E0381	Low battery protector relais 24V
11	K0700.3-8	Sealing ring 3/8"
12	K0194	Coupling suction 1/2-1/2"
13	K1201	Coupling straight 3/8"-12
14	K0700.1-2	Sealing ring 1/2"
15	K1228	Coupling 90° 1/2"-12
16	K1215	Coupling adjustable T 12





DHOLLANDIA

Main Group: _____

Platforms

Sub Group: _____

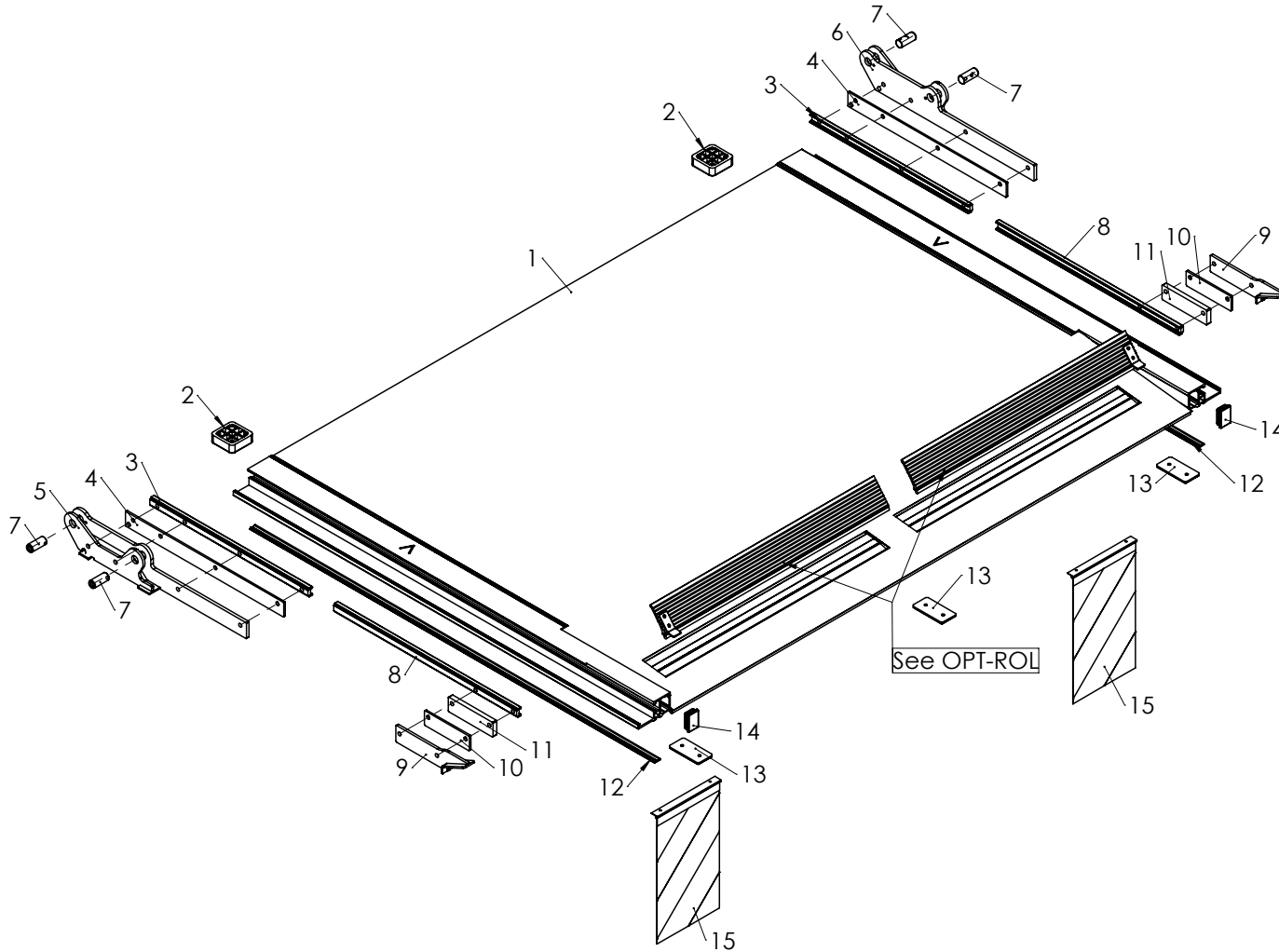
Special aluminium platforms

Description Sales Article: _____

Platform compl. VMC3

Sales Article: _____

XPVA.VMC3



Pos	Code	Description
1	XVA.VMC3.LE.O.W	Platform VMC3 + Snr
2	M2010.30	Protection block platform 30mm
3	M1361.0635	Fixation profile M1361 635mm
4	MV2027.635	Spacer platformhand 635mm
5	MV2024.250.700.L	Platformhand left CC=250 L=700
6	MV2024.250.700.R	Platformhand right CC=250 L=700
7	M1725.058	Pin ø25x58mm
8	M1361.0735	Fixation profile M1361 735mm
9	MV2031	Hook platform VMC3
10	MV2026.6	Spacer hook 6mm
11	MV2026.15	Spacer hook 15mm
12	M2009	Protection platform /m
13	MV2025	End stop synthetic VMC3
14	M0502.60.40	Closing cap synthetic 60x40
15	M0431	Set platform flag UVV



DHOLLANDIA

Main Group: _____

Platforms

Sub Group: _____

Special aluminium platforms

Description Sales Article: _____

Platform compl. VMC3 + ROOF

Sales Article: _____

XPVA.VMC3.B

Pos	Code	Description
1	XVA.VMC3.LE.O.W.B	Alu platform VMC3 + Snr
2	M1725.058	Pin ø25x58mm
3	MV2024.250.700.L	Platformhand left CC=250 L=700
4	MV2024.250.700.R	Platformhand right CC=250 L=700
5	MV2027.635	Spacer platformhand 635mm
6	M1361.0635	Fixation profile M1361 635mm
7	M2010.30	Protection block platform 30mm
8	MV2031	Hook platform VMC3
9	MV2026.6	Spacer hook 6mm
10	MV2026.15	Spacer hook 15mm
11	M1361.0735	Fixation profile M1361 735mm
12	M2009	Protection platform /m
13	MV2025	End stop synthetic VMC3
14	M0431	Set platform flag UVV

