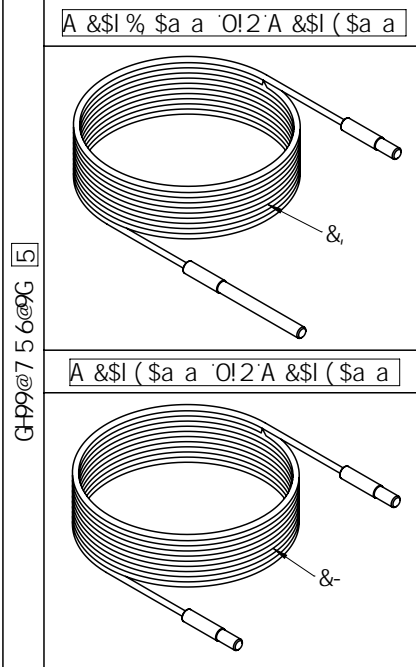
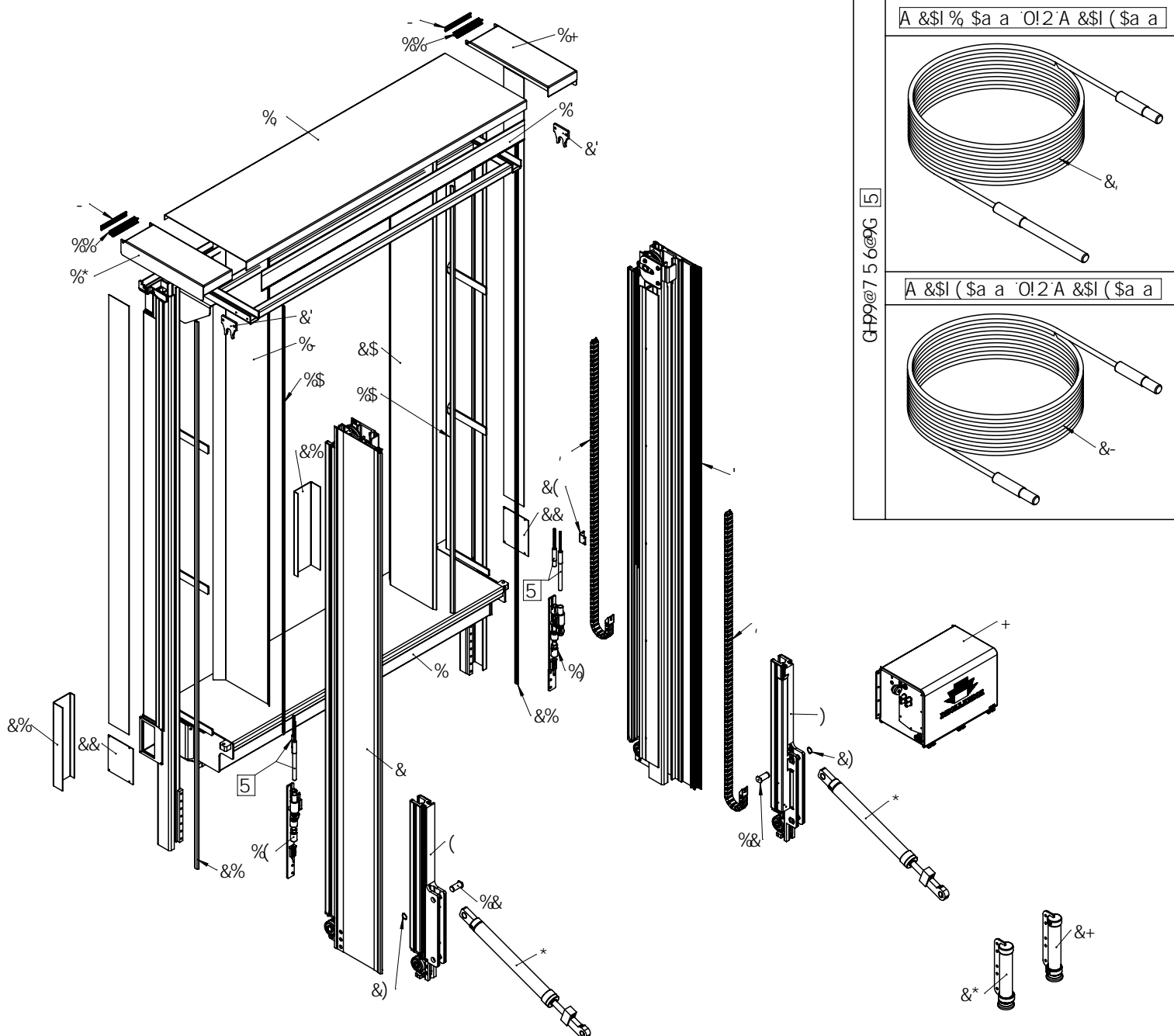




A U]b; fci d.  
Vællāōc ] ^•

G V; fci d.  
Ö [ { } Áāo

8YgMfdhjb GU Yg5ftWY.  
Øæ ^& { } |ÉXUÍ ÉÉF



G+99@7 5 6@9G 5

GU Yg5ftWY.  
XUÍ ÉÉF

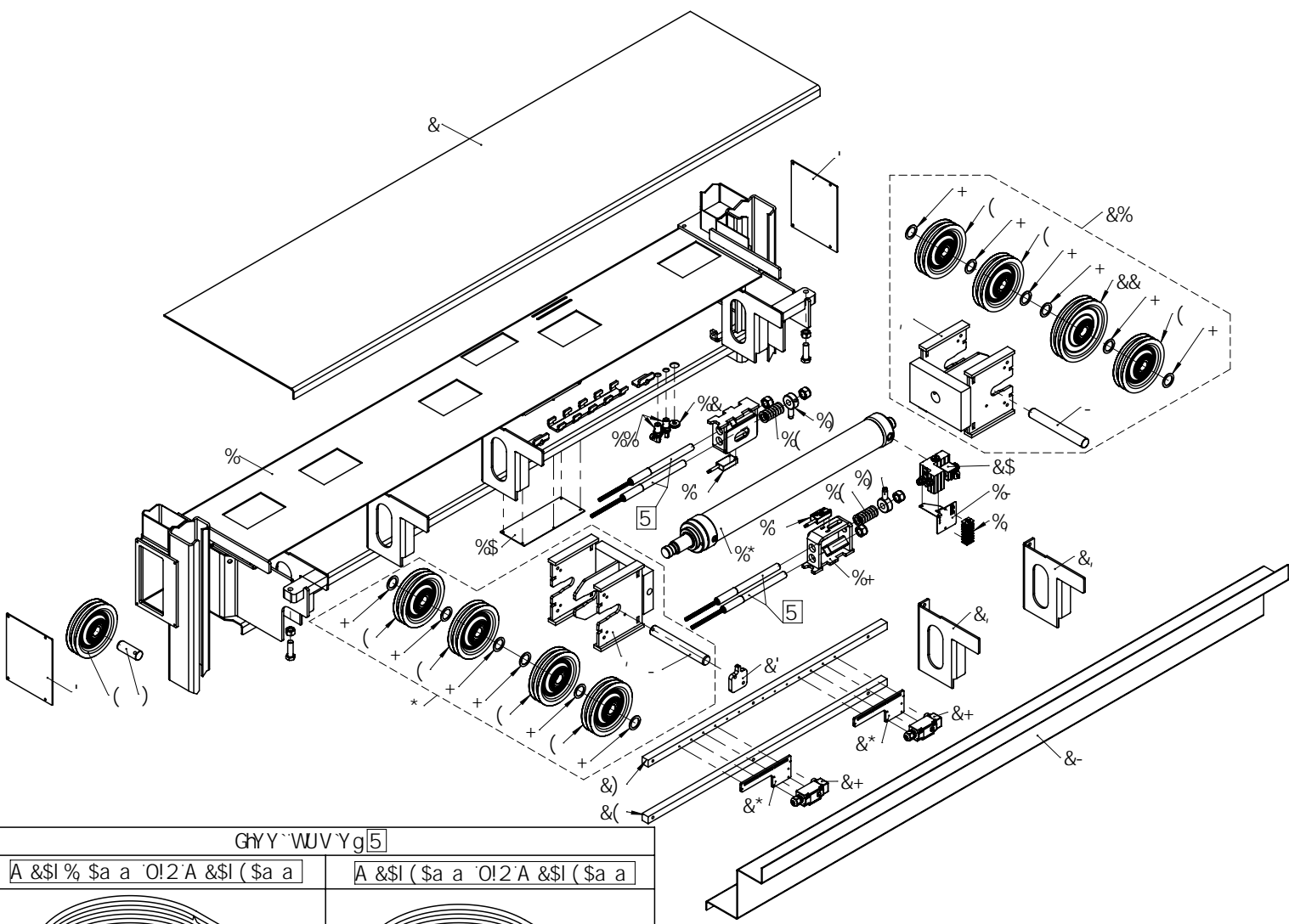
Dcg	7 cXY	8YgMfdhjb
%	LJ: "J C) "K "<"G	: fUa Y J C) 'Z Gbf
&	A J %&\$ \$" (+) "@	@Zhf fi bbYf f[ YZ J C) ' ( +) a a
'	A J %&\$ \$" (+) "F	@Zhf fi bbYf f[ \h J C) ' ( +) a a
(	A J %&\$ \$" (\$\$ "%& \$'6"@	@Zhf fi bbYf f[ YZ J C) %& \$a a ' (\$\$WW
)	A J %&\$ \$" (\$\$ "%& \$'6"F	@Zhf fi bbYf f[ \h J C) %& \$a a ' (\$\$WW
*	7 GJ %'	H'h Wm] bXYf 7 GJ %' Z Gbf
+	: "J G'\$	I bh8 < J C) ' Z \nXfUi ]WY[ g
,	9\$&+)' (%&'	7 UVY WU] b' (% &' '6l < #a
-	A \$\$) \$	Dfc ZY U' i 'A (-!A) %&!A , *) #a
%\$	A \$, *(	Fi VVYfgU] b[ '8 < IJ
%&	A \$, *)	GY U] b[ 'd'Uhzc fa 'fi VVYf #a YHf
%&	A %+ '\$\$*-	D] b »' \$! *- a a
%	A &\$ \$+	GY U] b[ 'd'Uhzc fa 'fi VVYf J C) ' &Z) a
%{	A J &* '\$\$'G@	: ] Uhcb d'UH' YZ J C)
%}	A J &* '\$\$'GF	: ] Uhcb d'UH' f[ \h J C)
%*	A J &* '\$%@	7 c j Yfg] XY J C) ! @, H
%+	A J &* '\$%F	7 c j Yfg] XY J C) ! F ≠ < H
%	A J &* '\$&'@	I ddYfd'UH' ZUa Y J C) ' Z Gbf
%-	A J &* '\$' "@	7 'cgb[ 'd'UH' YZ J C) ' Z Gbf
&\$	A J &* '\$' "F	7 'cgb[ 'd'UH' f[ \h J C) ' Z Gbf
&%	A J &* '\$(	7 !d'fc ZY fi VVYf A \$, *( J C)
&&	A J &* '\$)	7 'cgb[ 'd'UH' ZUa Y J C)
&'	A J &* '\$*	@W 'd'Uhzc fa 'J C)
&(	A J &* '\$&\$	A ci bh] b[ 'd'UH' WUVY WU] b' J C)
&)	67' \$	7 ]W] d'YI Hf fcf »' \$a a
&*	7 58% ("8"@	GU V] ]gb[ 'Y[ 'f[ \h 7 58% ("8" Z Gbf
&+	7 58% ("8"F	GU V] ]gb[ 'Y[ 'f[ \h 7 58% ("8" Z Gbf
&.	A J \$\$\$ %&\$ "%@	7 UVY 'Z 'Yb[ 'H » %\$
&-	A J \$\$\$) "%\$ "%@	7 UVY 'Z 'Yb[ 'H » %\$ f&l ( \$a a ' A &\$t



A Uj; fci d.  
Væ|äöc ] ^e

G V; fci d.  
Ö|{ } Ääo

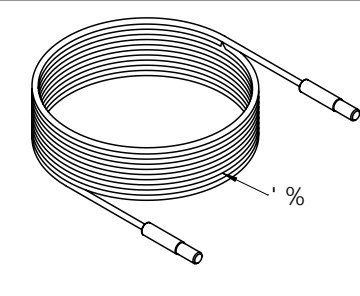
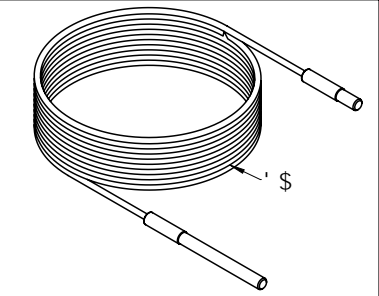
8YgMfdhjb GUYg5fhjWY.  
Øæ ^Ä} ä^!ÄKUÍ



ChYY`WUV Yg[5]

A &\$!% \$a a `O!2`A &\$! (\$a a

A &\$! (\$a a `O!2`A &\$! (\$a a



GUYg5fhjWY.  
XUI ÈEG

Dcg	7cXY	8YgMfdhjb
%	LJ: "J C)" "K" "<	: fUa Y Ya dlmJ C) `Z` Gbf
&	A J &* \$+	7 `cgb[ `d`UH`Y : `ccfJ C) `Z` Gbf
'	A J &* \$)	7 `cgb[ `d`UH`Y `ZUa Y J C)
(	A J %\$&%"\$%"%+)" (%	7 UVY`[ i ]XY`Xci VY`8<J `> %+)
)	A %+&- "\$+`- "6C \$,	D]b`> &- l + - a a `!`6C \$,
*	A J %\$&%	Dl `YmV`cW`g]X]b[ `V`cW`J C! J 6
+	A %' &`(")" &	GdUWf`f]b[ `>' &#(`) l &a a
,	A J %\$&\$`N	Dl `YmV`cW`Ya dlmA J %\$&\$
-	A %+&- "&&("6C \$,	D]b`WUVY`[ i ]XY`&`-`, l &&(a a `! 6C \$,
%\$	A J %(\$)	7 c] Yf`Wm]b`XYf`VYUa `J C`- `! &) (a a
%%	?%&&&	6i `\_YUX`Wci d`]b[ `-\$`\$&
%&	9\$ \$-`" %&	@UX`h`fci [ ` \ `fi VVYf`%&a a
%	9\$ %&	7 cb`U`Wh`Xci V`Y`BC`#`BC
%(	J F 8 \$')	DfY`gj`fY`gd`f]b[ `681`' ( @ + \$` 881`" a a
%)	A J \$\$) \$"A &\$	Bi`h`WUVY`Wcbb`Y`h`c]b`J C`#`J 6`! A &\$
%*	7 < J %	@`Z`h`Wm]b`XYf`7 < J %` `Z` Gbf
%+	A \$ * - + "A &\$	A ci bh]b[ `V`fU`W`Y`h`WUV`Y`A &\$
%	9\$ \$ + &	7 cbb`Y`Wh`c]b`V`c`W`WUV`Y
%-	A J &* \$-	: ]`Uh`c]b`d`UH`Y`J`\$`-`&!`J C)
&\$	J \$ - %&&	@`k`Y`f]b[ `j`U`]`Y`W`c`a`d`" %&`J` J C!`J 6
&\$	J \$ - &" &(`	@`k`Y`f]b[ `j`U`]`Y`W`c`a`d`" &(`J` J C!`J 6
&%	A J %\$&\$	Dl `YmV`cW`Z]`YX`J C!`J 6
&&	A J %\$&%"\$%"\$&\$"(%	7 UVY`[ i ]XY`8<J `> &\$ \$
&`	A J &* \$,	9bX`g`c`d`g]X]b[ ` \ `UbX`J C)
&(`	A J %(\$ *`	Dfc`Z]Y`[ i ]XY`A J %\$&`
&)	A J %(\$ *`"6	Dfc`Z]Y`[ i ]XY`J C)
&*`	A J &* %\$	: ]`Uh`c]b`d`UH`Y`"ja`h`gk`h`W`9\$&*`(`
&+`	9\$&*`(`	@`a`h`gk`h`W`fc`"HA
&`	A J &* %&	FY`b`z`f`W`a`Y`bh`WUV`Y`Vcl`J C)
&-`	A J &* %%	7 c] Yf`Wm]b`XYf`VYUa `J C) `Z` Gbf
' \$	A J \$\$\$%"\$%"@	7 UVY`Z`Yb[ `h`> %\$
' %	A J \$\$\$) "%\$%"@	7 UVY`Z`Yb[ `h`> %\$`f&l` (\$a a` A &\$

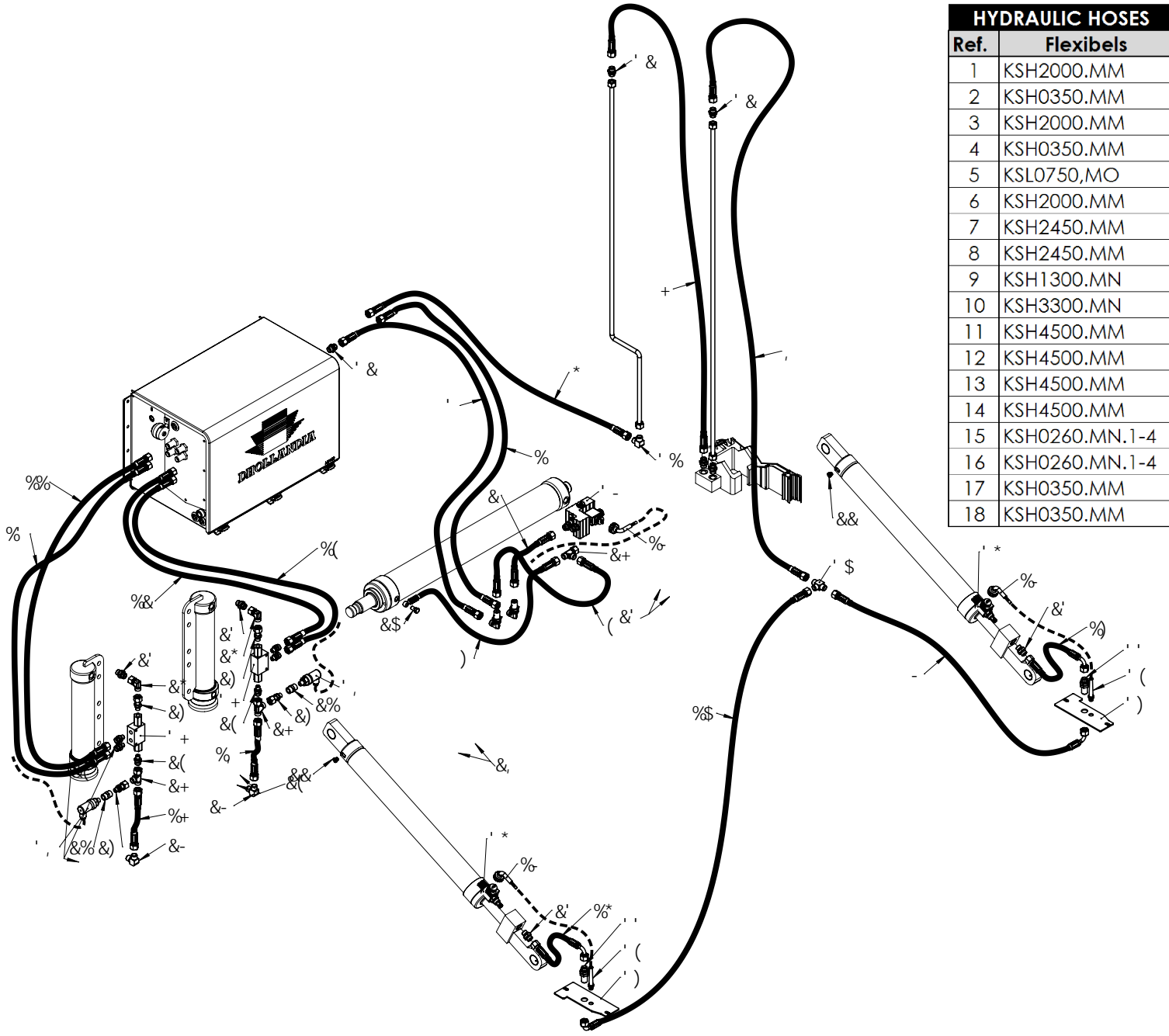


A Uj; fci d.  
P^ álaě | &A@{ ^•

G V; fci d.  
Ô[ | { } Áã

8YgMfdhçb GUYg5fhWY.  
P^ álaě | &A•^ { à} ÁUÍ Á

GUYg5fhWY.  
XUÍ ÆF



HYDRAULIC HOSES	
Ref.	Flexibels
1	KSH2000.MM
2	KSH0350.MM
3	KSH2000.MM
4	KSH0350.MM
5	KSL0750,MO
6	KSH2000.MM
7	KSH2450.MM
8	KSH2450.MM
9	KSH1300.MN
10	KSH3300.MN
11	KSH4500.MM
12	KSH4500.MM
13	KSH4500.MM
14	KSH4500.MM
15	KSH0260.MN.1-4
16	KSH0260.MN.1-4
17	KSH0350.MM
18	KSH0350.MM

Dcg	7 cXY	8YgMfdhçb
%	9\$\$, *	7 UVY 'gJZYhmj Uj Y '7 cgtU'
&\$	?%\$%\$	6Ub'c' gla d Y'A %\$! %
&%	?%+(	7 ci d'j' [ 'ZYa UY '%#!%#(
&&	?%+\$%"\$	7 `c'g'b [ 'WUd 'A %\$! %
&'	?%&\$%	7 ci d'j' [ 'gfu] [ \h' #, m%&
&(	?%&\$	7 ci d'j' [ 'gfu] [ \h'#( m%&
&)	?%&\$-	7 ci d'j' [ 'UX↑ gUVY 'Y' # ( m%&
&*	?%&%%	7 ci d'j' [ 'UX↑ gUVY ' - \$\$ %&
&+	?%&%	7 ci d'j' [ 'UX↑ gUVY 'H%&
&.	?%&&&	6i '\YUX'Wci d'j' [ '- \$\$ %&
&-	?%&*	7 ci d'j' [ '- \$\$' #, m%&
' \$	?%&' &	7 ci d'j' [ 'H%&
' %	?%&' )	7 ci d'j' [ '- \$\$ %&! %&
' &	?%&' ,	7 ci d'j' [ 'gfu] [ \h%&! %&
' '	?%&(\$	6i '\YUX'Wci d'j' [ 'gfu] [ \h%&
' (	A \$( %	@UX 'h'fci [ \ fi VVYf'k UbXYf 'YUX
' )	A J &*%+	: ] Uhçb d'UH' h'hWmjbXYfJ.C.)
' *	J \$' *	GJZYhmj Uj Y 'G5 &(J 'Z '9&(\$
' *	J \$' *"<	GJZYhmj Uj Y 'G5 '(J '<nXUW
' *	J \$' +	GJZYhmj Uj Y 'G5 '%&J 'Z '9&( %
' *	J \$' +"<	GJZYhmj Uj Y 'G5 '%&J '<nXUW
' +	J \$(, "%(	Bc 'fyh' fb j Uj Y 'Xci VY 'd'j'ch! '%#( m%&
' ,	J \$) %	Dfy'gj 'fy 'gk 'hW' 'BC
' -	J \$- &%&	@k Yfb [ 'j Uj Y 'Wca d'""%&J 'J C I J 6
' -	J \$- &""&(\$	@k Yfb [ 'j Uj Y 'Wca d'""&(J 'J C I J 6



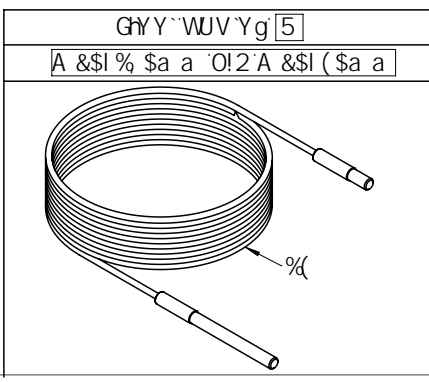
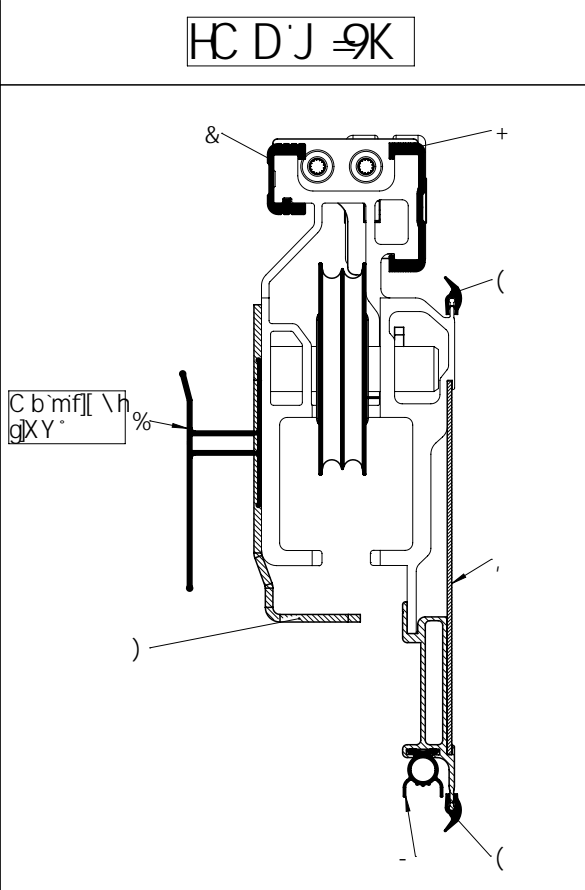
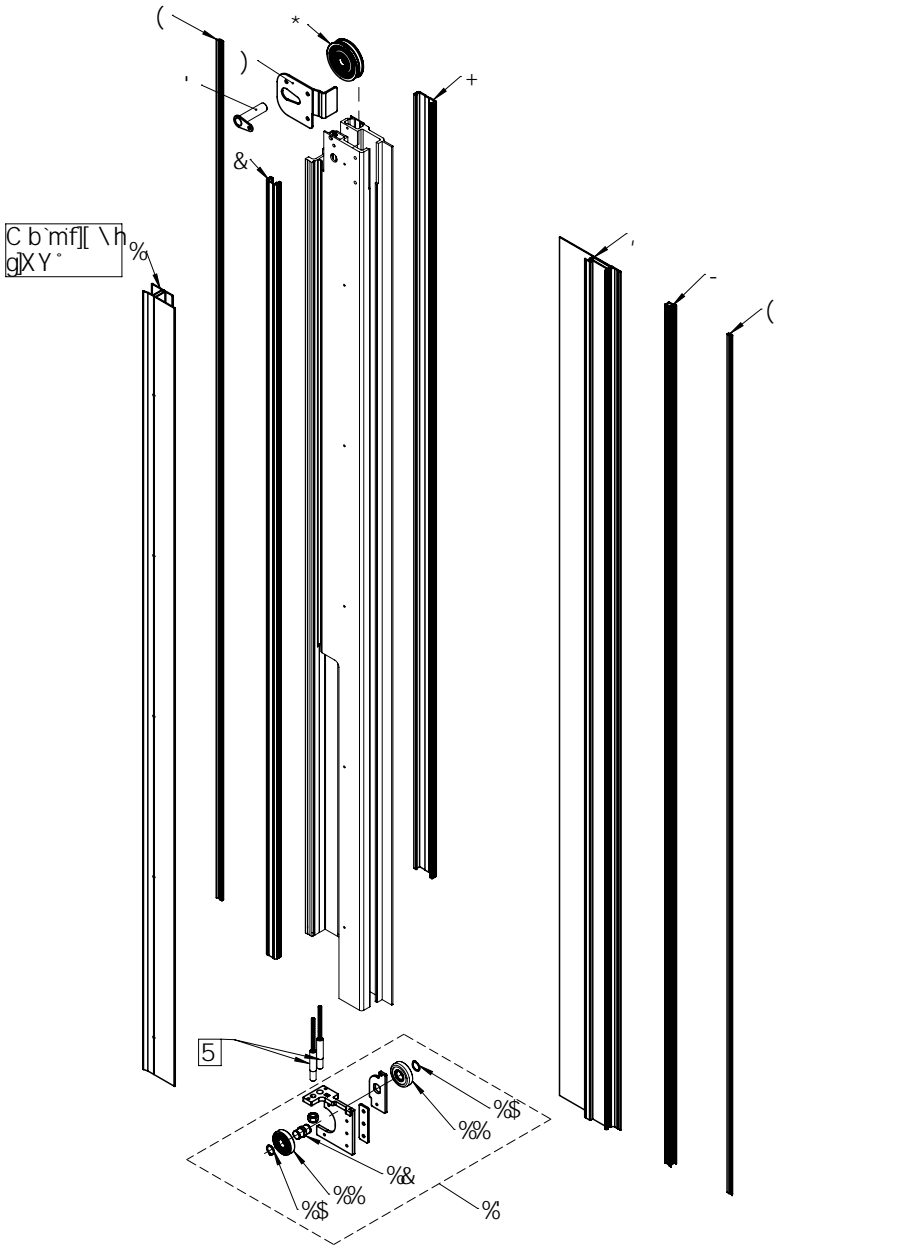
A Uj; fci d.  
T ^ & @ } z a & [ ] [ ] ^ } •

G V; fci d.  
Š a o ~ } } ^ ! •

8 Y g m f d h j c b G U Y g 5 f h W Y .  
Ù j ã ã \* Ā à ^ Ā ^ • c { Ā U Í

G U Y g 5 f h W Y .  
X U Í Ē Š Ő Ő Ē F

Dc g	7 c X Y	8 Y g m f d h j c b
%	A J & * % ( " F	< n X f U i " W U g g ' a V m f [ \ h J C )
&	A J % & & %	: i X Y g r b h Y h W J C )
'	A % + & - " % & &	D j b W U V Y [ i X Y » & - , ! % & a a ! ) \$ W W
(	A \$ , * (	F i V V Y f g Y U ] b [ ' 8 < ! J
)	A J & * % @	9 b X g r c d g X Y J C ) " @ : H
)	A J & * % " F	9 b X g r c d g X Y J C ) " F ≠ < H
*	A J \$ % & % \$ " % \$ ( " \$ "	7 U V Y [ i X Y X c i V Y » % ( \$
+	A J % & & \$	: i X Y g r b h Y h W 8 < ! J " % \$ \$
,	A J & * %	G \ f c i X d f c Z Y " U H Y f " J C
-	A \$ , * )	G Y U ] b [ d U h z c f a ' f i V V Y f # a Y h Y f
% \$	6 7 ' \$	7 j W d Y i H Y f c f » ' \$ a a
% %	A \$ , + ' " G G	F c Y f g Y Y ' 8 < J
% &	A % + & - " \$ ) (	D j b » & - , ! ) ( a a
%	A J & * % - " @	: j U h c b d f c Z Y f c " J C ) ! " @ : H
%	A J & * % " F	: j U h c b d f c Z Y f c " J C ) ! " F ≠ < H
% (	A J \$ \$ \$ % \$ " @	7 U V Y Z ' Y b [ h » % \$





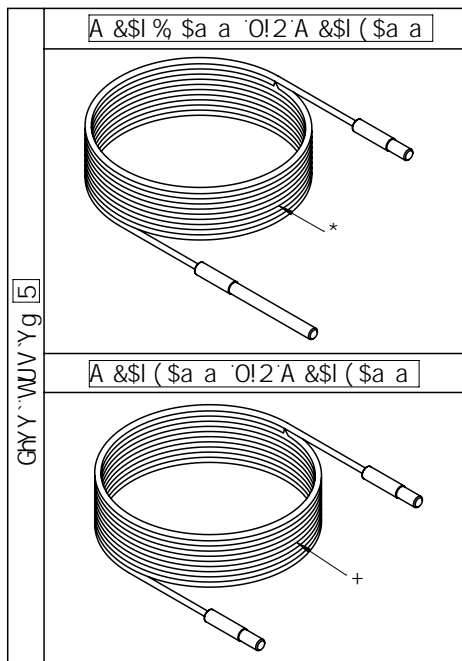
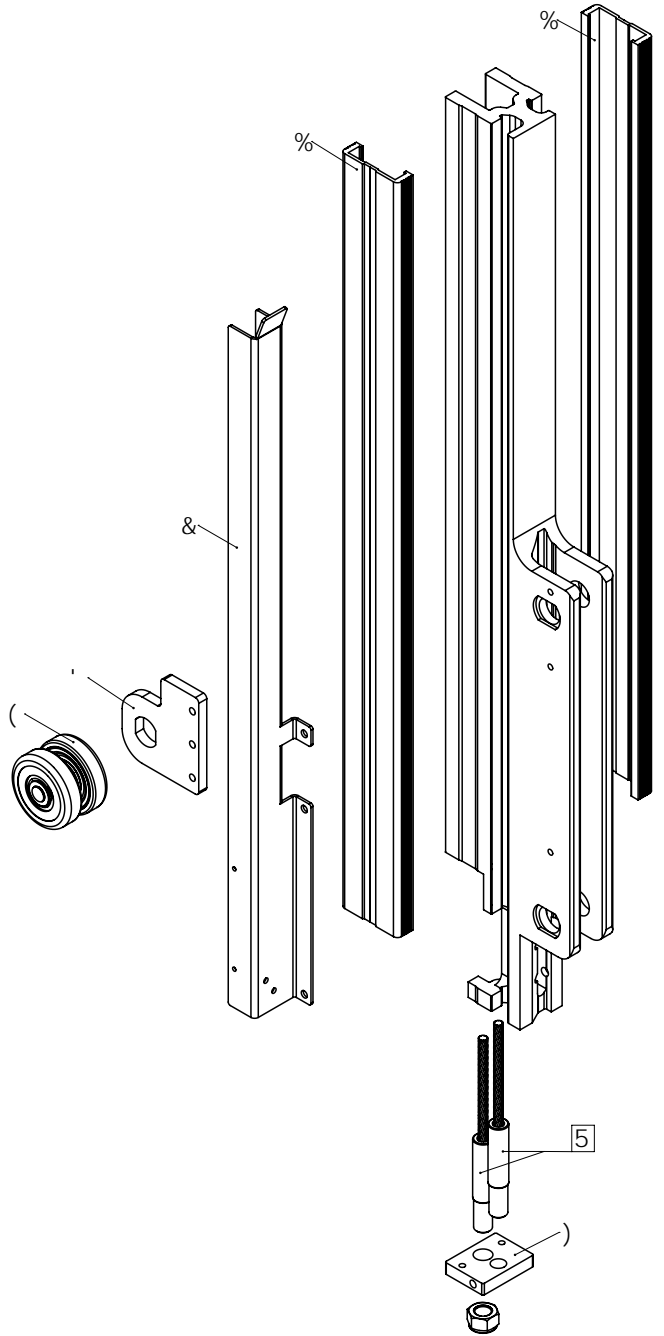
A Uj; fci d.  
T ^ & @ } z a / { [ ] ^ )

G V; fci d.  
Š a ~ } } ^ ! •

8 Y g W f d h c b G U Y g 5 f h W Y .  
Ú j a a \* Ā à ^ Á ^ • c { Ā U Í

G U Y g 5 f h W Y .  
X U Í Ē Š Ő Ő Ę G

Dcg	7 cXY	8 Y g W f d h c b
%	A J % & \$	; i   X Y ' g r b h Y h W 8 < ! J ' % \$ \$
&	A J & * % " F	< n X f U i ' j W U g g / a V m f [ \ h J C )
'	A J % & \$ %	: ] U h c b d ' U h Y f c " A \$ , + ' G
(	A \$ , +	F c \ Y f 8 < ! G A Z " " 2 & \$ \$ %
)	A J % \$ \$ ' " % \$ \$ A & \$	: ] U h c b d ' U h Y W U V Y A J % \$ \$ \$ ! A & \$
*	A J \$ \$ \$ % % \$ " @	7 U V Y Z ' Y b [ h » % \$
+	A J \$ \$ \$ ) " % \$ " @	7 U V Y Z ' Y b [ h » % \$ f & l ( \$ a a A & \$ t





**DHOLLANDIA**

Main Group: \_\_\_\_\_

**Hydraulic cylinders**

Sub Group: \_\_\_\_\_

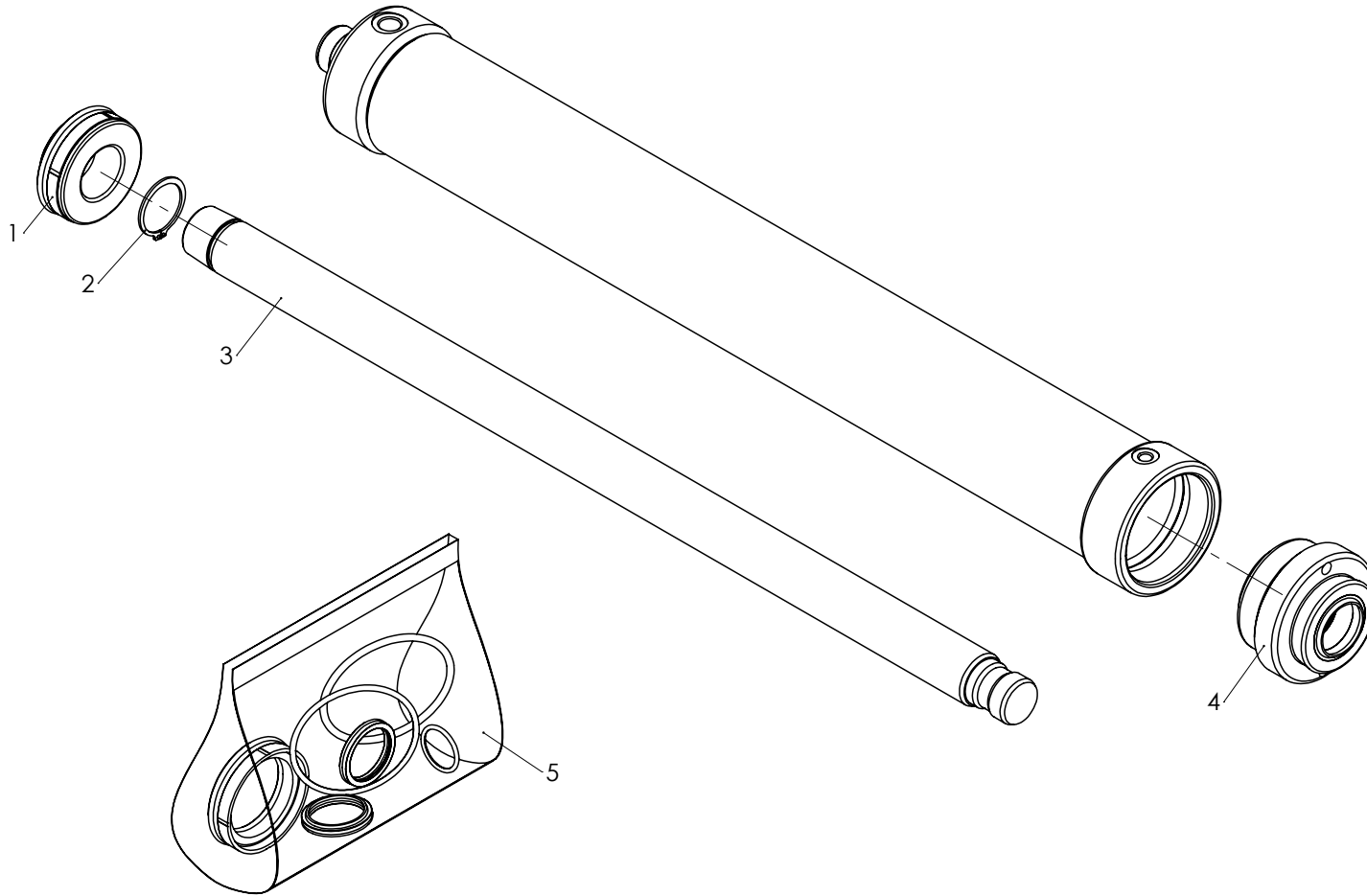
**Lift cylinders**

Description Sales Article: \_\_\_\_\_

**Lift cylinder CHV19 + Snr**

Sales Article: \_\_\_\_\_

**CHV19**



Pos	Code	Description
1	M4440.080	Piston SA ø80-40
1	M4440.090	Piston SA ø90-40
1	M4440.100	Piston SA ø100
1	M4440.110	Piston SA ø110
1	M4440.120	Piston SA ø120
2	BC40	Circlip exterior ø40
3	M4740.0800	Rod lift cylinder VK67 ø40x800mm
3	M4740.0880	Rod lift cylinder VK75 ø40x880mm
3	M4740.0950	Rod lift cylinder VK82 ø40x950mm
3	M4755.0895	Rod ø55x895mm
4	M4240.080.G	Cylinder head SA ø80-40 +G
4	M4240.090.G	Cylinder head guide ø90-40
4	M4240.100.G	Cylinder head guide ø100-400
4	M4255.110	Cylinder head SA ø110-55
4	M4255.120	Cylinder head SA ø120-55
5	DSE080.40	Seal set SA ø80-40
5	DSE090.40	Seal set SA ø90-40
5	DSE100.40	Seal set SA ø100-40
5	DSE110.55	Seal set SA 55-110
5	DSE120.55	Seal set SA 55-120



**DHOLLANDIA**

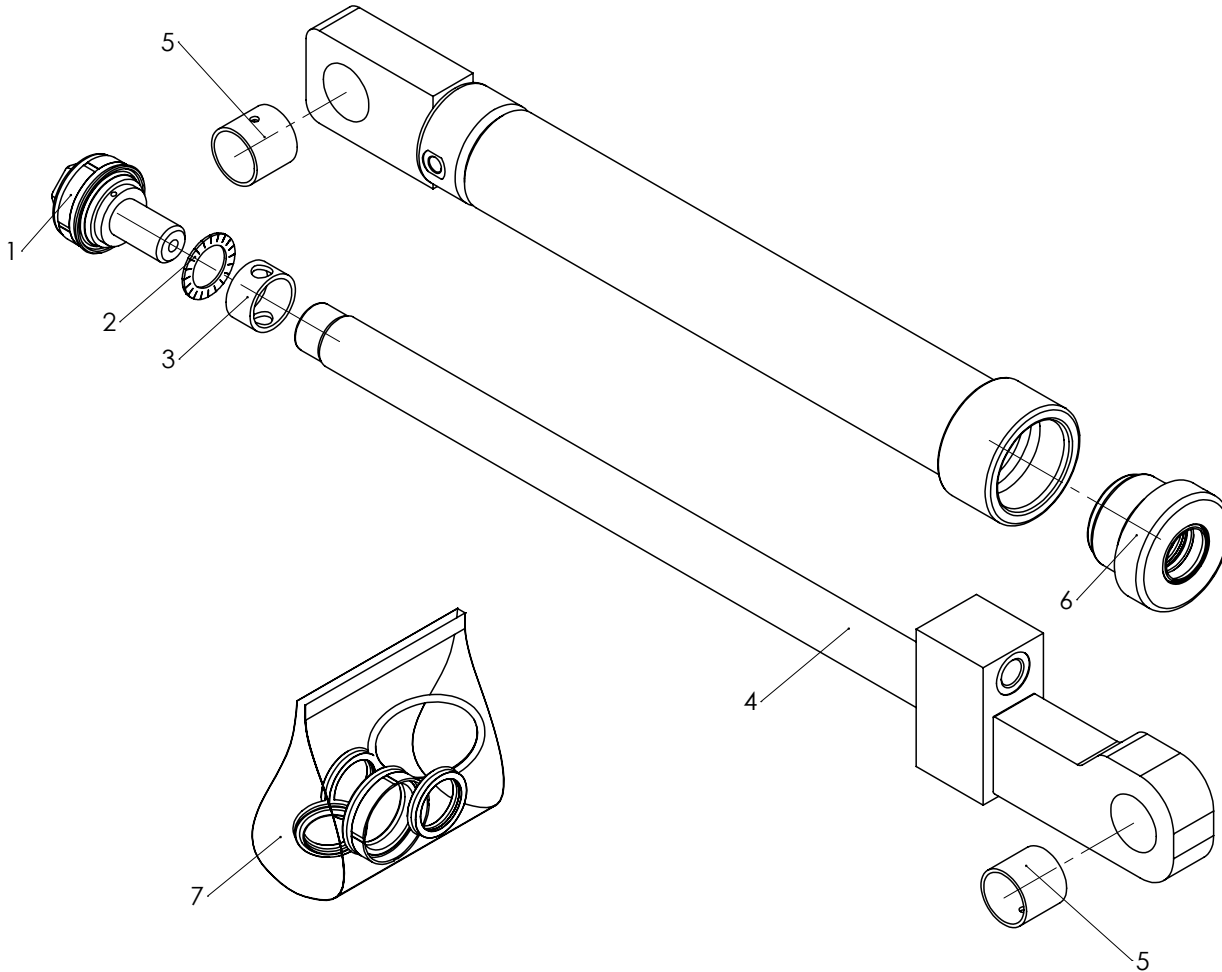
Main Group: \_\_\_\_\_  
**Hydraulic cylinders**

Sub Group: \_\_\_\_\_  
**Tilt cylinders**

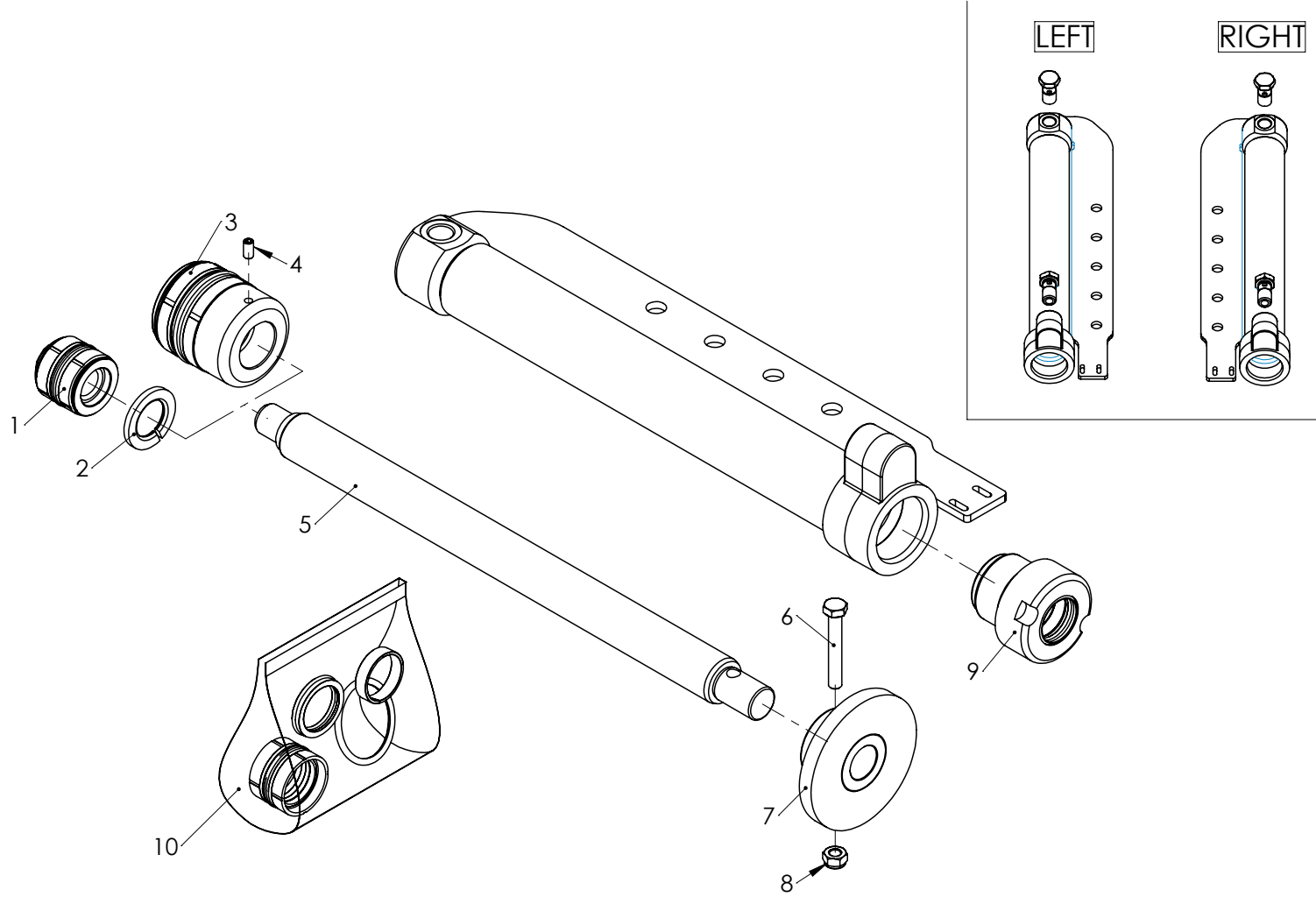
Description Sales Article: \_\_\_\_\_  
**Tilt cylinder CSV16 + Snr**

Sales Article: \_\_\_\_\_  
**CSV16**

Pos	Code	Description
1	M4404.050	Piston ø50 VS
1	M4404.060	Sealing VS... ø60 (DH-V)
2	BC24.2	Spring washer M24 DIN9797J
3	M4833.34	Ring cylinder rod VS - ø34/28.5
4	M4730.0490	Rod VS33 ø30x490mm
4	M4730.0690	Rod VS ø30x690 + 140mm
4	M4730.0830	Rod VS ø30x830 + 140mm
4	M4730.0955	Rod VS ø30x955 + 140mm
4	M4730.1275	Rod VS ø30x1275 + 140mm
5	M1830.30T	Bearing bush ø30x30mm
6	M4230.050	Cylinder head steel ø30-50 VS
6	M4230.060	Head tilt cylinder VS Ø60
7	DSE050.30	Seal set SA ø30-50
7	DSE060.30	Seal set SA ø60-30



Pos	Code	Description
1	M4535.040	Piston DA DKB ø40
2	BC24.3	Spring washer M24 NMG452
3	M4503.060	Piston DA ø60
4	BB06.12.PC	Allenbolt headless M6x12 PC
5	M4630.425	Rod cylinder CAD14 ø30x425mm
5	M4640.405	Rod cylinder ø40x405mm
5	M4640.480.B	Rod cylinder ø40x480mm -B-
6	BT08.055	Bolt M8x55
7	M4892.D.30	Foot hydr.stabilising leg CAD14 ø30
7	M4892.D.40	Foot hydr.stabilising leg CAD14 ø40
8	BMB08	Locking nut M8
9	M4230.040.AG	Cylinder head guide ø40-30
9	M4240.060.AG	Cylinder head SA ø60-40
10	DSD040.30	Seal set DA ø40-30
10	DSD060.40	Seal set DA ø60-40



CAD14.D.L-R (Hydraulic stabilising leg)						
Type	Cylinder name	Cyl. Head (Ref. 9)	Piston (Ref. 1,3)	Rod (Ref. 5)	Seals (Ref. 10)	Foot (Ref. 7)
All	CAD14.040.30.0300.D.L-R	M4230.040.AG	M4535.040	M4630.425	DSD040.30	M4892.D.30
	CAD14.060.40.0285.D.L-R	M4240.060.AG	M4503.060	M4640.405	DSD060.40	M4892.D.40
	CAD14.060.40.0360.D.L-R			M4640.480.B		

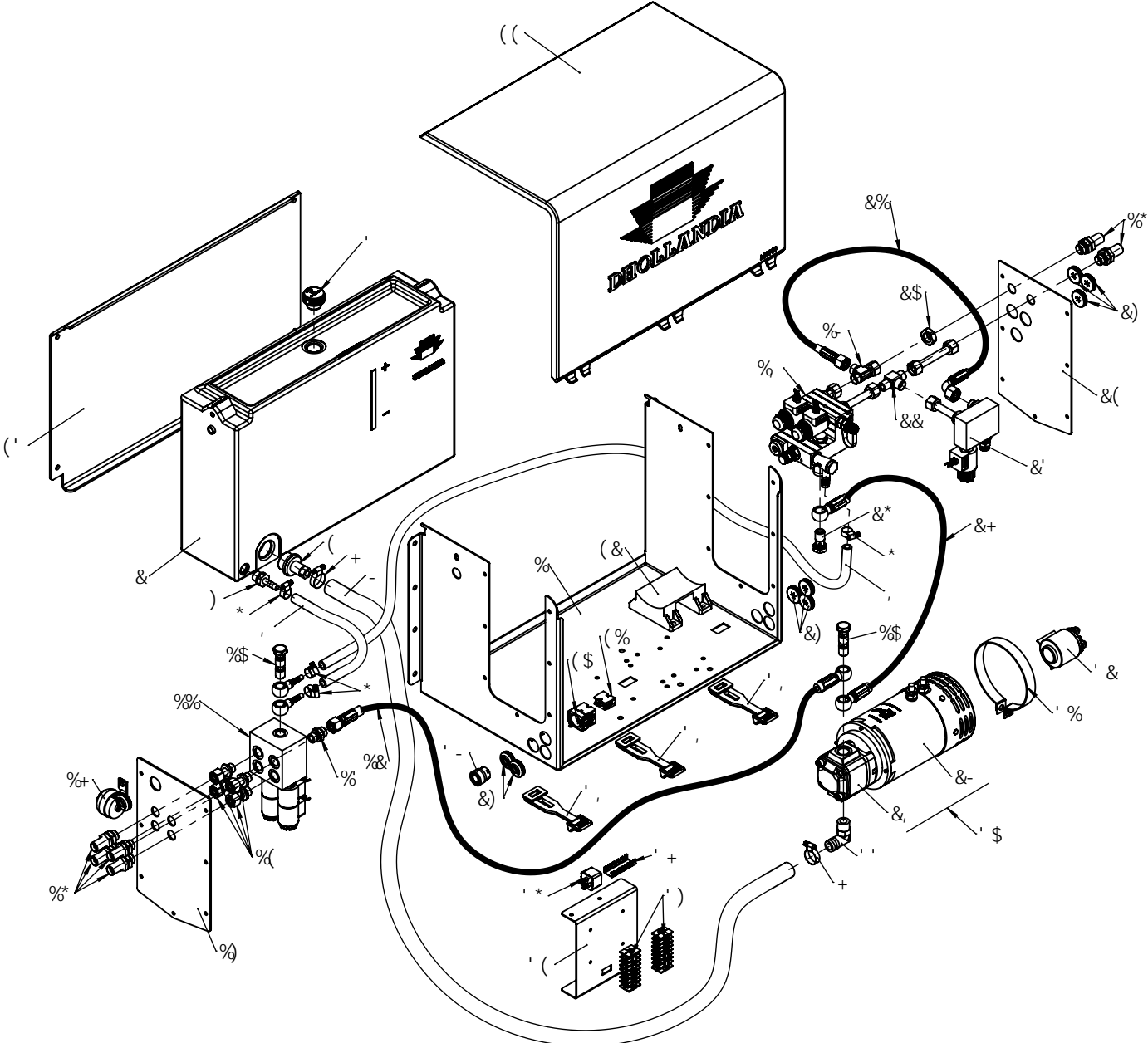




A U]b; fci d.  
P^ a!æ |æ| , ^!A æ•

G V; fci d.  
U] ^æ|æ| , ^!A æ•

8YgWfdhjb GUYg5fhWY.  
Wj æOPXUI É@ a!æ |æ|\*•



GUYg5fhWY.  
ÖÈÜÈ

Dcg	7cXY	8YgWfdhjb
%	A \$(+\$*6	7Ugy \nXf'dck YfdUW_G ! 2&\$%&
&	A \$( '\$	HJb_ &&! ) ) \$a a
'	:\$&&	5f'fY YUgy 'WUd' '#(fii
(	? \$% &	: ] Uhcb Z'Hyf
)	? \$% \$	7ci d' ]b[ 'fYh fb \cgy
*	A '\$' *	7c`Uf@ \cgy
+	A '\$' +	7c`Ufg W'hc b \cgy
,	?G@' !,	@ \cgy' #, fii! '#a
-	? \$ \$ ,	G W'hc b \cgy' di a d
%\$	? \$% ,	6Ub'c Xci VY' #, fii
%%	J \$+ ' &(	JUj Y & ( # ' &(J
&&	?G< '\$' ) \$A C	<D \cgy' 9!B' ) \$a a
%	?%&\$%	7ci d' ]b[ 'gfU] \h' #, fii&&
%(	?%&\$,	7ci d' ]b[ 'UX↑ gfUVY' #, fii&&
%)	A \$( \$, "G "\$\$*	: 'Ub  Y \nXf'dck YfdUW_G' '\$\$%
/*	?%&(\$	6i ` \YUX'Wci d' ]b[ 'gfU] \h'&
%+	9\$&)-	5Wci ghWg  bU' &(J
%	J \$- * "9' &(	@ [ 'MU'j Uj Y 'Wc a d' "J' * " ? &(J
%	?%&%	7ci d' ]b[ 'UX↑ gfUVY' H'&
&\$	6A N% '@	Bi 'h'ck 'A %
&&	?G< \$\$* \$ "A B "%(	<D \cgy' 'B!B' - \$ \$ % # ( fii
&&	?%&&'	7ci d' ]b[ 'H' #, fii&!&%
&'	J %)	JUj Y J C)
&(	A \$( \$, "G "\$\$)	: 'Ub  Y \nXf'dck YfdUW_G' '\$\$'
&)	9\$\$- ' "%&	@UX' h'fci [ \ 'fi VVYf%&a a
&*	? \$%+&	6Ub'c 'gja d Y' #, fii
&+	?G< \$( "\$\$ "C C	<D \cgy' 9!9' (\$\$a a
&,	D\$%&	Di a d ' 5 ! &' ) WW! ) @
&-	A D\$&&	5f'fWc YX'a chcf&(J' ?K
'	\$ A D? \$&&"D\$%&	A chcf'di a d' &(J' '\$\$K 'A D\$&& Z' D\$%&
'	% A %&&\$	7c`Ufa chcf' '\$\$K
'	& 9\$\$), "A	G Ufh b  'fYUma chcf% \$5 &(
'	? \$ \$ ,	G W'hc b di a d' - \$ \$
'	( A J &* &%	:i bW'hc b d' UHY \nXf'dck Yf dUW_ J C)
'	) 9\$\$+&	7cbbY W'hc b V'cW_ WUVY
'	* 9\$\$) + "&(	A ]b fYUm) d' ]bg&(J
'	+ 9\$* %+	7cbbY W'hc b V'cW_ J C)
'	, A '\$' *	@_W_ dck YfdUW_
'	- 9\$ \$ - ,	Di g' Vi h'c b 'HA
(\$	9\$' &+	7c b fUWhV'cW_ 'HA Z' % BC % B 7
(%	9\$ \$ ,	7c b fUWhgja d Y 'HA' % BC
(&	A \$( %)	G ddcfha chcf
(	' A '\$' , +	G gdYbg'cb d' UHY \nXf'dck Yf dUW_ ) ) \$a a
((	' A \$( %&	7c j Yf \nXf'dck YfdUW_ '8 < 9G ) ) \$a a