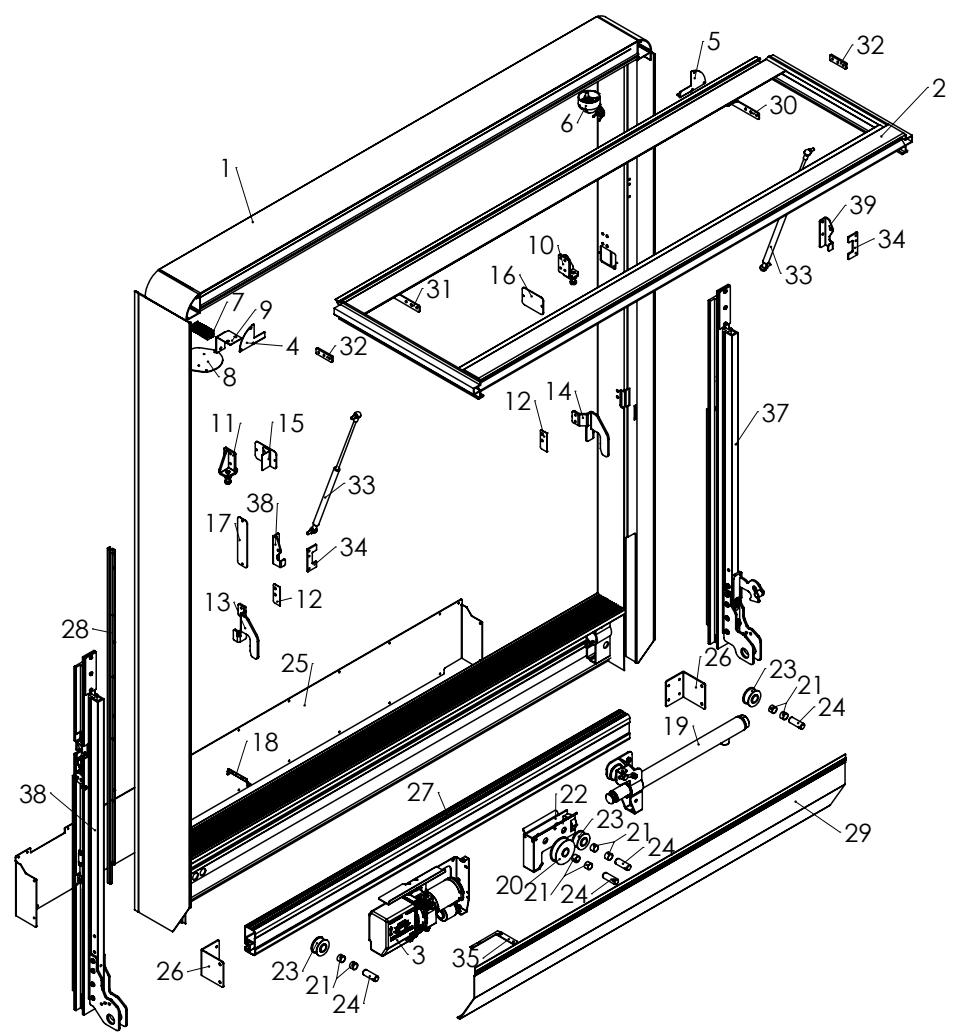


Main group:

Taillift types

Subgroup:

Column lifts



Pos	Code	Description	Option
1	XVF.VOCS.07.K1.W.H	Frame compl. VOCS.07.K1 + Snr	
2	XTP.VOCS.07.K1.W.H.B	Upper plate platform VOCS.07.K1 135° + Snr	OVF064
2	XTP.VOCS.07.K1.W.H	Upper plate platform VOCS.07.K1 + Snr	
3	GP.VO.07	Hydr.power pack VO.07 + Snr	OVH113
3	GFH	Hydr.power pack horizontal + Snr	S504
4	MV1906.B.L	Closing plate left VOCS -B-	STD
5	MV1906.B.R	Closing plate right VOCS	STD
5	MV1906	Closing plate VOCS.07	
6	E0066	Plug socket 7P	OVE001.PM
7	E0072	Connection block cable	OVE202
8	E2051.A	Fixation plate connection block E2051	OVE202
9	MV1907.L	Fixation bracket left VOCS	OVE202
10	MV1908.R	End stop right VOCS.07	
11	MV1908.L	End stop left VOCS.07	
12	MV1909	Closing plate lock VOCS	
13	MV1910.L	Lock alu platform VOCS STD	
14	MV1910.R	Lock alu platform VOCS STD	
15	MV1911.098.068.B	Closing plate C-profile 68x98mm -B-	OVE202
16	MV1911.098.068	Closing plate C-profile 68x98mm	
17	MV1911.190.045	Closing plate C-profile 45x190mm	OVE202
18	MV1912	Closing plate cylinder beam VOCS.07.K1	OVE202
19	CHV03	Lift cylinder VO.07.K1 + Snr	
20	MV0111.088.30	Chain wheel simple ø88x30mm	
21	M1820.15T	Bearing bush ø20x15mm	
22	MV1580.Z	Pulley block empty VO.07	
23	MV0111.058.30	Chain wheel simple ø58x30mm	
24	M1720.057.BO08	Pin ø20x57mm - BO08	
25	MV1903.LE	Base plate platform lights VOCS -BUM +Snr	OVF203

Pos	Code	Description	Option
26	MV1904	Fixation bracket bumper bar VOCS	OVF200.A
27	M0493	Bumper bar ALU 100x50mm - 2m	OVF200.A
28	MV0513.1366.L	Cable-guiding left VOCS	OVE202
29	MV1500.I.LE	Cover cylinder beam VOCS.07.K1 + Snr	OVF058
29	MV1500.C.LE	Cover cylinder beam VO.07-VOCS + Snr	STD
30	MV1913.B.R	Reinforcement upper plate VOCS RIGHT -B-	OVF064
30	MV1913.R	Reinforcement upper plate VOCS RIGHT	STD
31	MV1913.L	Reinforcement upper plate VOCS LEFT	STD
31	MV1913.B.L	Reinforcement upper plate VOCS LEFT -B-	OVF064
32	MV1914	Fixation bar gas spring VOCS.07	
33	VG0250.250	Gas spring 250N - 250mm	
33	VG0300.250	Gas spring 300N - 250mm	
33	VG0350.250	Gas spring 350N - 250mm	
33	VG0400.250	Gas spring 400N - 250mm	
34	MV1915	Fixation bracket gas spring VOCS	
35	MV1916	Mounting plate contact VOCS.07	
36	MV1900.164.1447.RMS	Slide right VOCS.07.K1	
36	MV1900.164.1447.RZS	Slide right VOCS.07.K1	
37	MV1900.164.1447.LMS	Slide left VOCS.07.K1	
37	MV1900.164.1447.LZS	Slide left VOCS.07.K1	
38	MV1905.B.L	Fixation bracket gas spring VOCS LEFT -B-	STD
38	MV1905.L	Fixation bracket gas spring VOCS LEFT	OVF064
39	MV1905.R	Fixation bracket gas spring VOCS RIGHT	OVF064
39	MV1905.B.R	Fixation bracket gas spring VOCS RIGHT -B-	STD

Drawing nr.:

MV1900.164.1447.L-R

Description:

Slide VOCS.07.K1 + Snr

Main group:

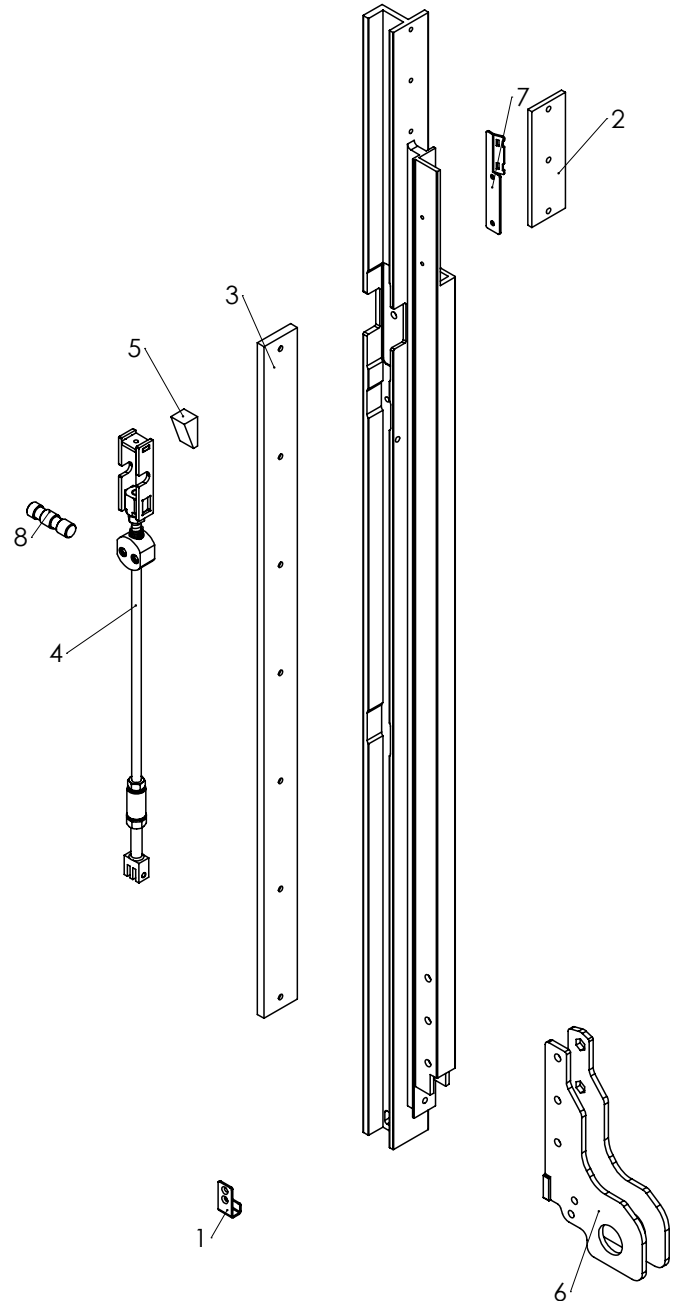
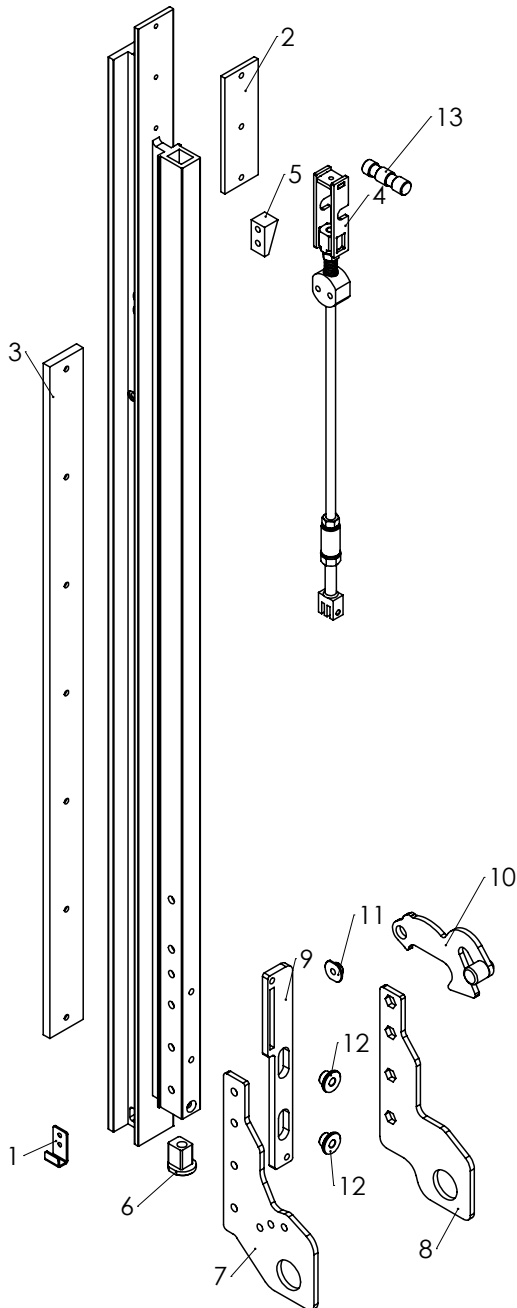
Mechanical components

Subgroup:

Lift runners

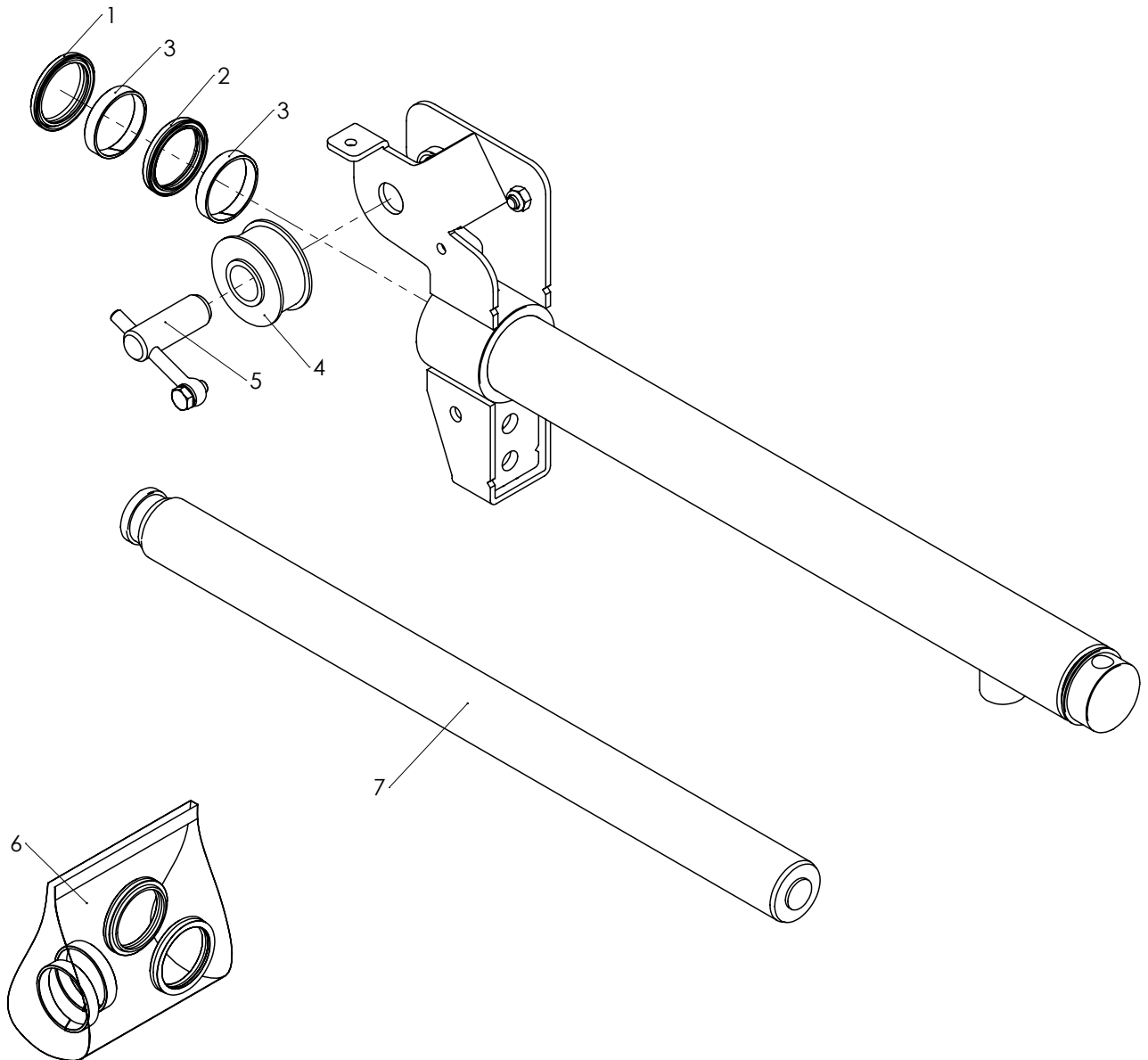
STANDARD

OVE202

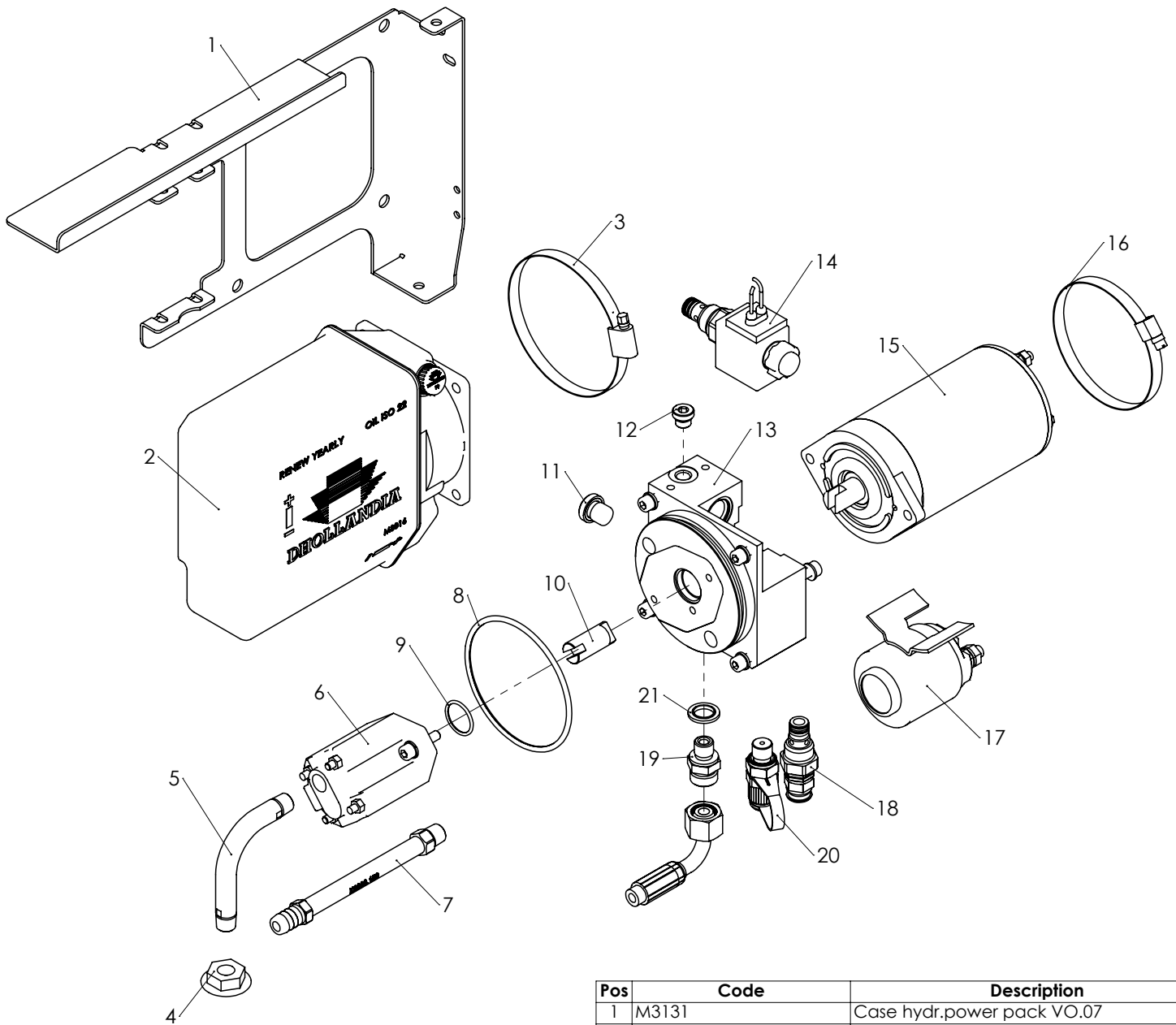


Pos	Code	Description
1	MV1599	Protection chain VO.07-VO.10
2	MV1504.06.150	Guide synthetic 50x6 LE=150 VO.07
3	MV1504.10.870	Guide synthetic 50x10 L=870
4	MV1582.S	Safety chain break set VO.07
5	MV1598	Key safety chain break VO.07
6	MV1734	Adjustable bolt slide VO.07
7	MV1733	Outside hand slide VO.07 - VOCS.07
8	MV1716.A.B	Plate hinge VO.07 - INSIDE -B-
9	MV1505.255	Lock slide VOCS.07.K1 255mm
10	MV1509.066.R	Lock right VOCS.07 66cc
10	MV1509.066.L	Lock left VOCS.07 66cc
11	MQ0324.B	Spacer ring toe guard -B-
12	M1908.15.12	Hinge bush ø8.5-15-25 x 12.5mm
13	MV2028.F	Pin safety chain break -F-

Pos	Code	Description
1	MV1599	Protection chain VO.07-VO.10
2	MV1504.06.150	Guide synthetic 50x6 LE=150 VO.07
3	MV1504.10.870	Guide synthetic 50x10 L=870
4	MV1582.S	Safety chain break set VO.07
5	MV1598	Key safety chain break VO.07
6	MV1918	Hinge slide VOCS OVE202
7	MV1917	Fixation bracket cable guide VOCS
8	MV2028.F	Pin safety chain break -F-



Pos	Code	Description
1	Dv045	Scraper ø45
1	DV040	Scraper ø40
2	DG045	Groove seal ø45
2	DG040	Groove seal ø40
3	DG045.85.PL	Ring guide ø45 - 8.5mm
3	DG040.85.PL	Ring guide ø40 - 8.5 mm
4	MV0111.058.30	Chain wheel simple ø58x30mm
5	M1720.057.BO08	Pin ø20x57mm - BO08
6	DS040.40	Seal set ø40
6	DS045.45	Seal set ø45
7	M4740.0553	Rod ø40x553mm
8	M4740.0628	Rod ø40x628mm
9	M4745.0553	Rod ø45x553mm
10	M4745.0628	Rod ø45x628mm



Pos	Code	Description
1	M3131	Case hydr.power pack VO.07
2	M3016	Tank plastic VZ
3	M4901.100	Collar ø100
4	F025	Filter 1/4" ø32mm
5	K0361.115.N	Hydraulic pipe 1/4" - 90°
6	P017	Pump 1cc
7	K0360.150	Hydraulic pipe synthetic 1/4" 150mm
8	DO090.35	O-ring ø90x3.5
9	DO021.2	O-ring ø21x2
10	P900	Connection MP003 - P016
11	K0702.1-4	Closing cap 1/4"
12	K0702.10	Closing cap M10x1
13	V167.Z	Valve empty V167
14	V036.K	Safety valve SA 24V + E242
14	V037.K	Safety valve SA 12V + E243
15	MP003	Motor 500W 24V
15	MP004	Motor 500W 12V
16	M4901.090	Collar ø90
17	E0058.M	Starting relay motor 150A 24
17	E0059.M	Starting relay motor 150A 12V
18	V007	Pressure relief valve 3/4
19	K1204	Coupling straight 1/4"-12
20	K0107	Coupling pressure gauge
21	K0700.1-4	Sealing ring 1/4"

Drawing nr.:

GFH

Description:

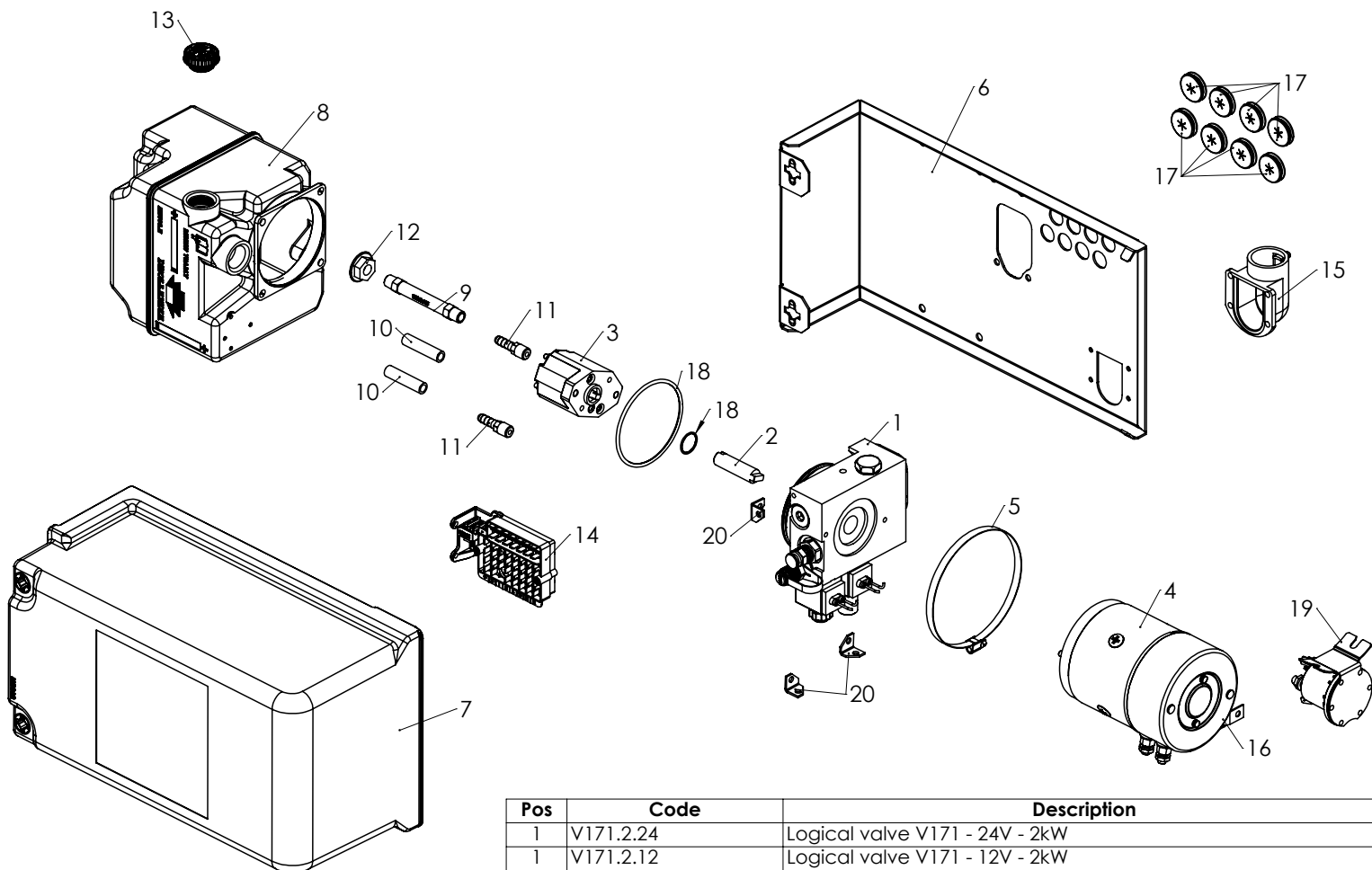
Hydr.power pack horizontal + Snr

Main group:

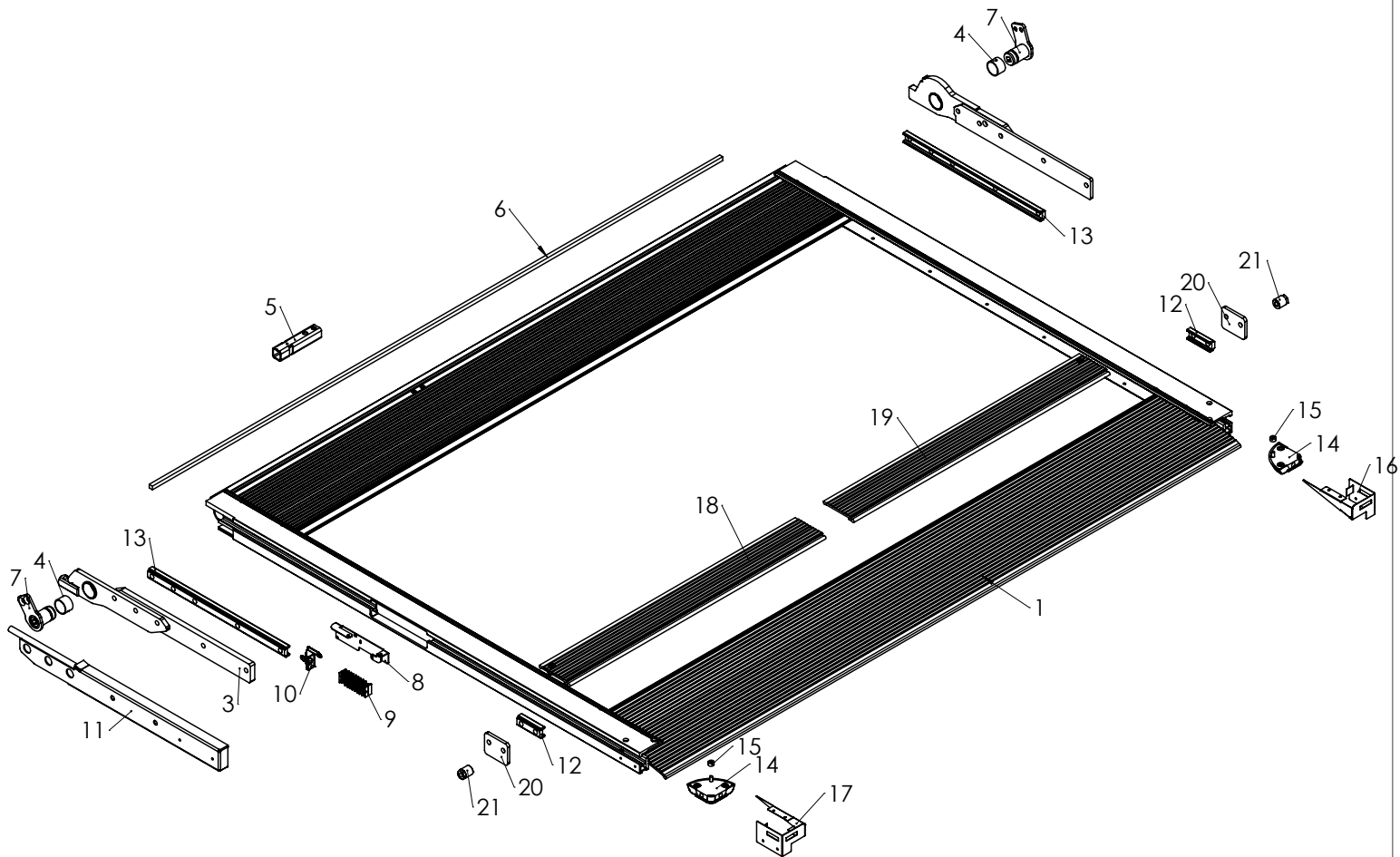
Hydraulic power packs

Subgroup:

Standard power packs



Pos	Code	Description
1	V171.2.24	Logical valve V171 - 24V - 2kW
1	V171.2.12	Logical valve V171 - 12V - 2kW
1	V171.1.24	Logical valve V171 - 24V - 1.2KW
1	V171.1.12	Logical valve V171 - 12V - 1.2KW
1	V170.2.24	Logical valve V170 - 24V - 2kW
1	V170.2.12	Logical valve V170 - 12V - 2kW
1	V170.1.24	Logical valve V170 - 24V - 1.2KW
1	V170.1.12	Logical valve V170 - 12V - 1.2KW
2	P900.58	Connection motor P016 - 58mm
3	P017	Pump 1cc
4	MP008	Motor 12V 1.2KW block
4	MP007	Motor 24V 1.2KW block
5	M4901.130	Collar ø130
6	M3137.E	Case power pack RP.15.02
6	M3137.B	Case power pack LE.10
6	M3137.A	Case power pack SO.10
7	M3062	Cover hydr.power pack Compact
8	M3018.H	Tank horizontal 3.5l
9	K0360.105	Hydraulic pipe synthetic 1/4" 105mm
10	K0234	LP hose 3/8" - /m
11	K0228	Coupling return hose 1/4"
12	F025	Filter 1/4" ø32mm
13	F022.OG	Air release cap orange 3/4
14	E2051	Connection block hydr.power pack >2010
15	E0552.29	Coupling 90° - E0560.29
16	E0288.T	Junction plate fuse twisted
17	E0093.12	Lead through rubber 12mm
18	DO090.35	O-ring ø90x3.5
18	DO021.1.5	O-ring ø21x1.5
19	E0634.12	Relay round TRBT 12V 150A
19	E0634.24	Relay round TRBT 24V 150A
20	M2999	Fixation bracket tank



Pos	Code	Description	Option
1	XP.VOCS.07.K1.W.H	Alu platform VOCS.07.K1 + Snr	
2	XD.A.VOCS.07.105.0655.R	Platformhand right VOCS.07.K1 105cc 655mm	OVE201.A
2	XD.A.VOCS.07.095.0645.R	Platformhand right VOCS.07 95cc 645mm	
3	XD.A.VOCS.07.105.0655.L	Platformhand left VOCS.07.K1 105cc 655mm	OVE201.A
3	XD.A.VOCS.07.095.0645.L	Platformhand left VOCS.07 95cc 645mm	
4	M1835.25T	Bearing bush ø35x25mm	
5	MV1589.11	Holder torsion spring VO.07 #11	
5	MV1589.12	Holder torsion spring VO.07 #12	
5	MV1589.13	Holder torsion spring VO.07 #13	
5	MV1589.14	Holder torsion spring VO.07 #14	
5	MV1589.15	Holder torsion spring VO.07 #15	
5	MV1589.16	Holder torsion spring VO.07 #16	
6	VRV11	Torsion bar Vkt 11	
6	VRV12	Torsion bar Vkt 12	
6	VRV13	Torsion bar Vkt 13	
6	VRV14	Torsion bar Vkt 14	
6	VRV15	Torsion bar Vkt 15	
6	VRV16	Torsion bar Vkt 16	
7	M1735.060.12.B	Pin ø35x60 - #12 -B- (VOCS)	
7	M1735.060.13.B	Pin ø35x60mm #12 -B- (VOCS)	
7	M1735.060.14.B	Pin ø35x60mm - #14 -B- (VOCS)	
7	M1735.060.15.B	Pin ø35x60mm - #15 -B- (VOCS)	
7	M1735.060.16.B	Pin ø35x60mm - #16 -B- (VOCS)	
8	MV1919	Mounting plate Reed sensor VOCS	OVE201.A
9	E0148	Connection block cable	OVE201.A

Pos	Code	Description	Option
10	E0612.L	Reed sensor low 2x1mm + 3x1mm	OAE502
11	MV1920.L	Shroud profile platform lights VOCS.07	OVE201.A
11	MV1920.R	Shroud profile platform lights VOCS.07	OVE201.A
12	M1361.0080	Fixation profile M1361 80mm	
13	M1361.0480	Fixation profile M1361 480mm	
14	E0702	Platform lights battery	OVE201.A
14	E0700	Set platform lights 12/24V >2005	OVE201.A
15	M1906.15.08	Washer ø6.5/15 x 8mm	
16	MV1585.L	Side lip plf left VOCS.07	STD<11-14
16	MV1585.B.L	Side lip plf left VOCS.07 -B-	OVE201.A<11-14
16	MV1585.C.L	Side lip plf left VOCS.07 -C-	OVE201.C<11-14
16	MV1585.G.L	Side lip plf left VOCS.07 -G-	STD>11-14
16	MV1585.H.L	Side lip plf left VOCS.07 -H-	OVE201.A>11-14
16	MV1585.I.L	Side lip plf left VOCS.07 -I-	OVE201.C>11-14
17	MV1585.R	Side lip plf right VOCS.07	STD<11-14
17	MV1585.B.R	Side lip plf right VOCS.07 -B-	OVE201.A<11-14
17	MV1585.C.R	Side lip plf right VOCS.07 -C-	OVE201.C<11-14
17	MV1585.G.R	Side lip plf right VOCS.07 -G-	STD>11-14
17	MV1585.H.R	Side lip plf right VOCS.07 -H-	OVE201.A>11-14
17	MV1585.I.R	Side lip plf right VOCS.07 -I-	OVE201.C>11-14
18	M0973.A.LE.L	Pallet stop left AUTOMAT. ...mm	OAP100.A
18	M0973.M.LE.L	Pallet stop left MECH. ...mm	OAP100.M
19	M0973.A.LE.R	Pallet stop right AUTOMAT. ...mm	OAP100.A
19	M0973.M.LE.R	Pallet stop right MECH. ...mm	OAP100.M
20	MV1584	End stop platform VOCS.07	
21	MV1712	Square bolt platform VO.07	