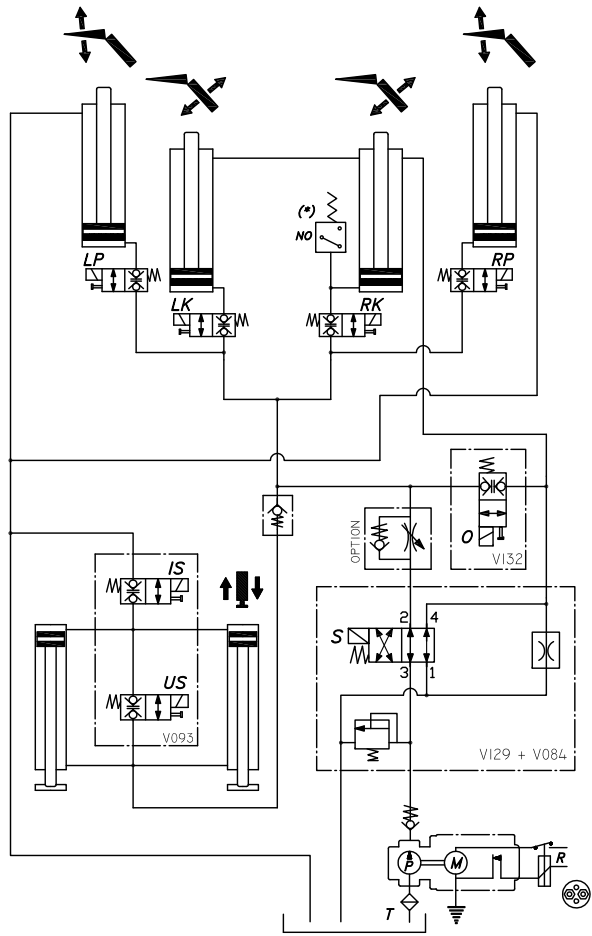


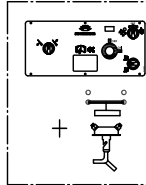
DH-AR32 + OAU800.4 + STAB. LEGS



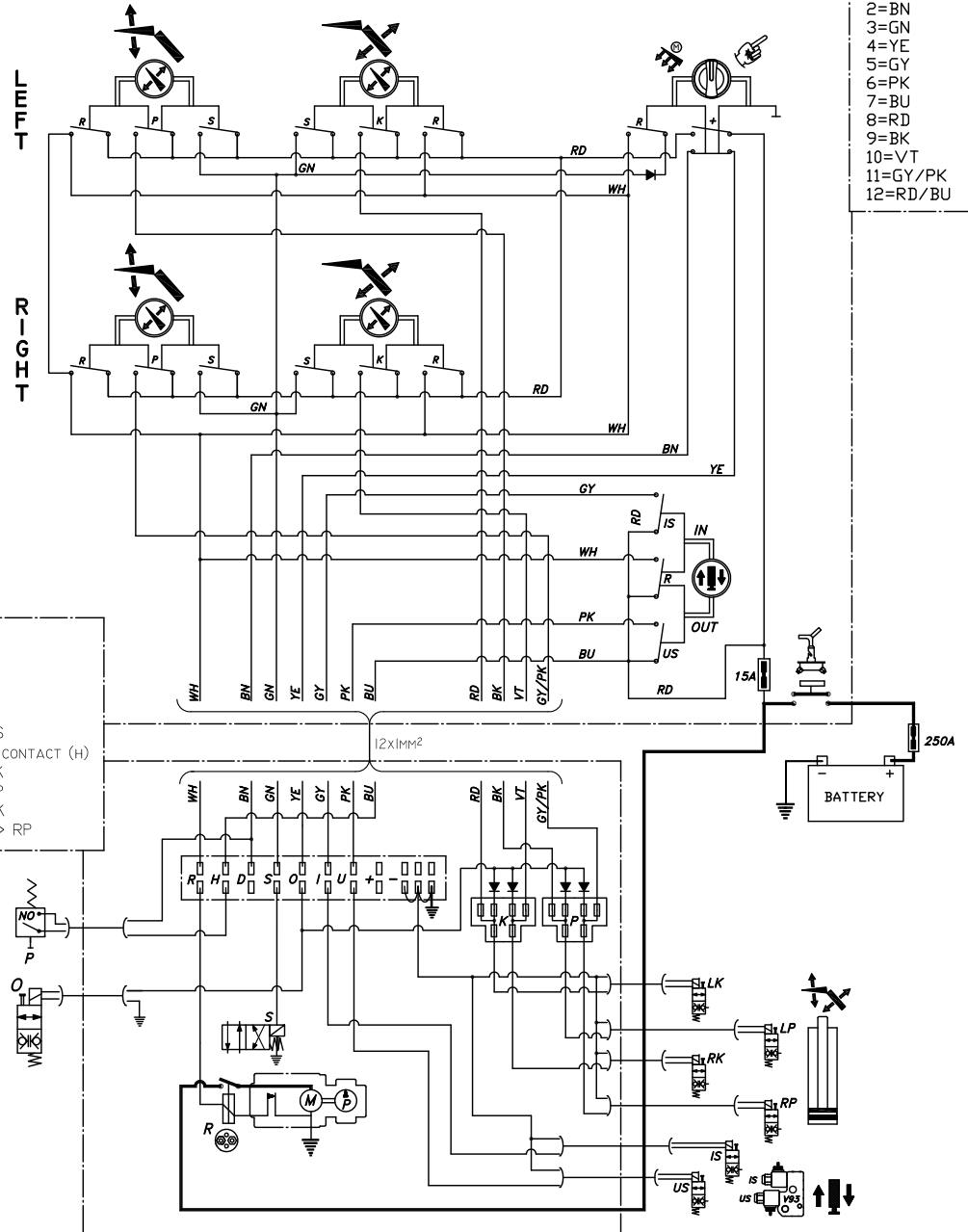
(*) = NO PRESSURE CONTACT SET DURING FITTING: OPEN PLATFORM OPEN AT 45°, SET P SO THAT:
 NO WEIGHT -> PLATFORM REMAINS STABLE
 500 KG LOAD -> D+O OPEN & PLATFORM GOES DOWN

| | LEFT side | | RIGHT side | | |
|--------|-----------|------|------------|------|------|
| P K | R+LK | R+LP | R+RK | R+RP | R+IS |
| | R+S+LK | S+LP | R+S+RK | S+RP | R+US |
| | S+LK | | S+RK | | |

OAE030.BT



EXTERIOR CONTROL BOX REF. EC5017



WH-> R
 BN-> D
 GN-> S
 YE-> O
 GY-> IS
 PK-> US
 BU-> P CONTACT (H)
 RD-> LK
 BK-> LP
 VT-> RK
 GY/PK-> RP

Colour codes
 DIN 47100

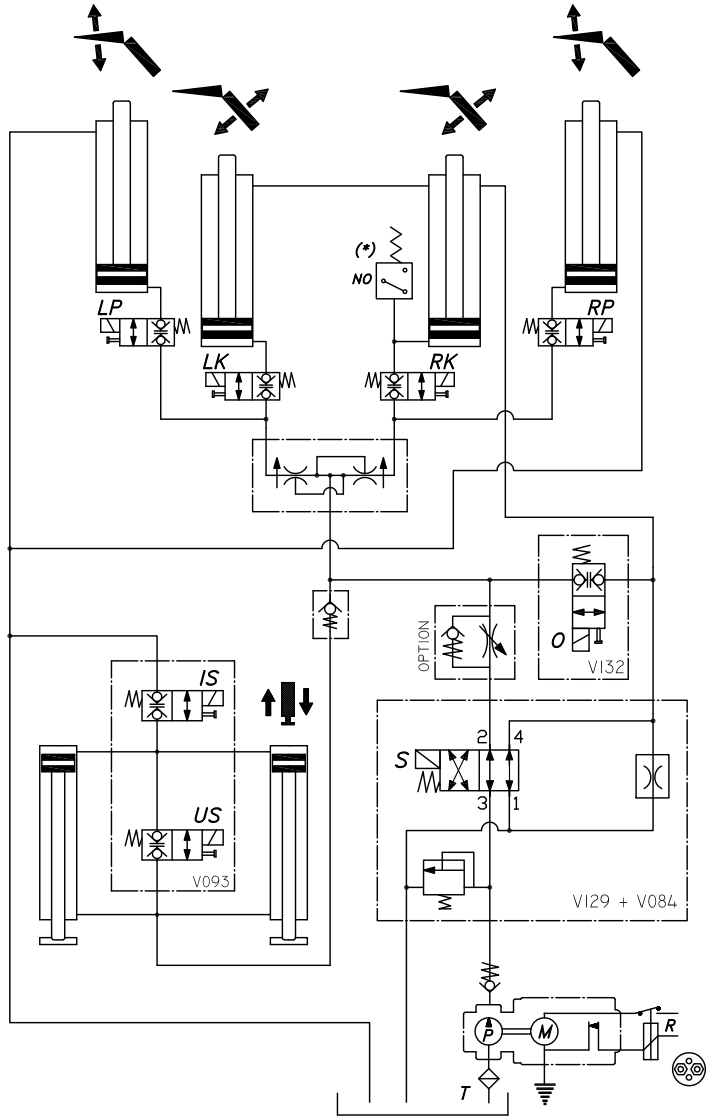
- 1=WH
- 2=BN
- 3=GN
- 4=YE
- 5=GY
- 6=PK
- 7=BU
- 8=RD
- 9=BK
- 10=VT
- 11=GY/PK
- 12=RD/BU

Type : Hydraulic ramp DH-AR32 with separate L+R function - 2010/...
 Power pack : - Valve : V129+V084
 Plan N° : Sch_AR32 ST-OAU800.4-2013-01
 Date : 13/01/2014

DHOLLANDIA



DH-AR32 + OAU800.2 + STAB. LEGS

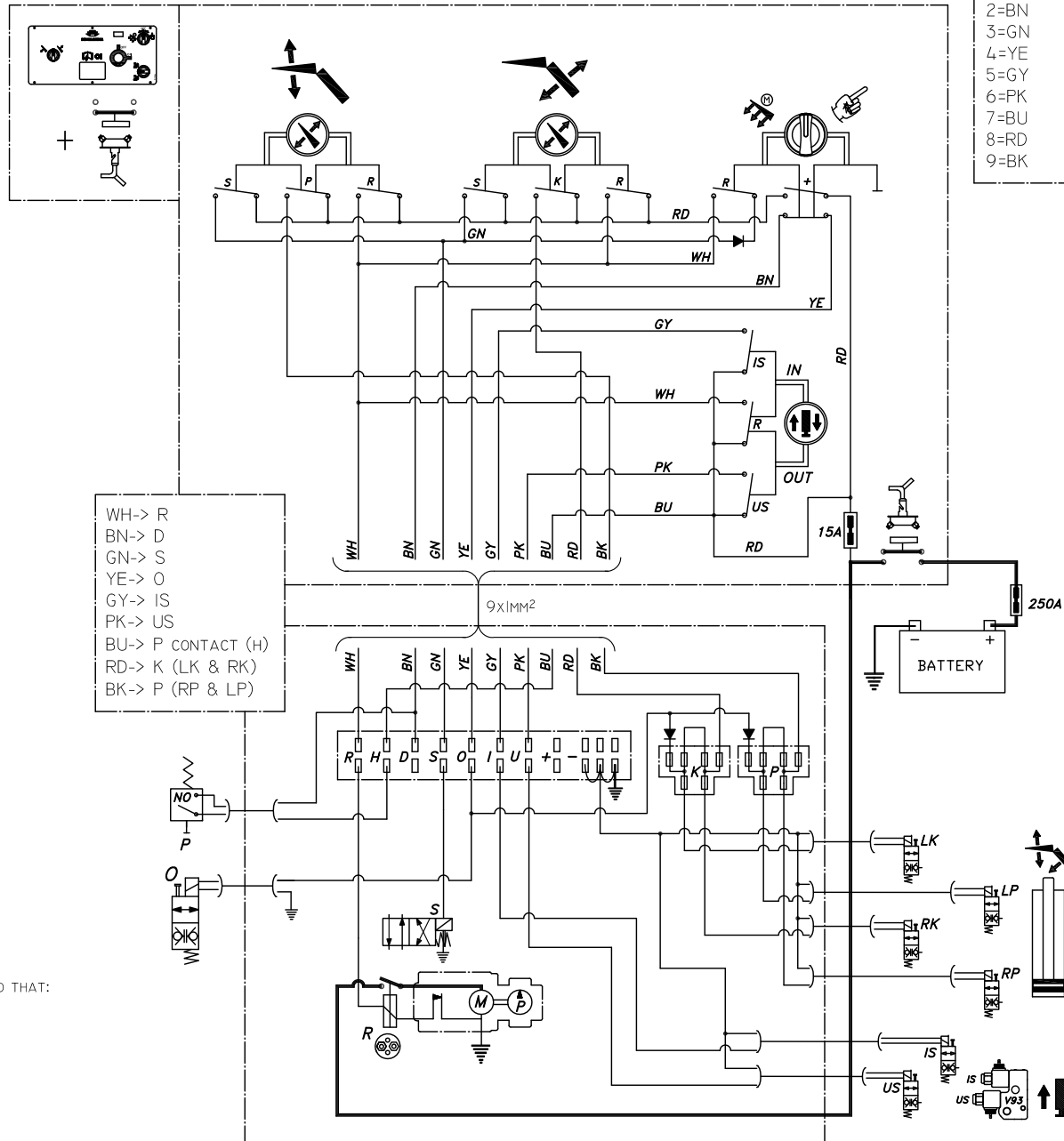


(*) = NO PRESSURE CONTACT SET DURING FITTING: OPEN PLATFORM OPEN AT 45°, SET P SO THAT:
 NO WEIGHT -> PLATFORM REMAINS STABLE
 500 KG LOAD -> D+O OPEN & PLATFORM GOES DOWN

| | | | |
|--|-----------|---------|------|
| | R+LK+RK | R+LP+RP | R+IS |
| | R+S+LK+RK | S+LP+RP | R+US |
| | S+LK+RK | | |

OAE030.BT

EXTERIOR CONTROL BOX REF. EC5016



WH-> R
 BN-> D
 GN-> S
 YE-> O
 GY-> IS
 PK-> US
 BU-> P CONTACT (H)
 RD-> K (LK & RK)
 BK-> P (RP & LP)

COLOUR CODES
 DIN 47100

- 1=WH
- 2=BN
- 3=GN
- 4=YE
- 5=GY
- 6=PK
- 7=BU
- 8=RD
- 9=BK

Type : Hydraulic ramp DH-AR32 with simultaneous L+R function
 Power pack : -
 Valve : V129+V084
 Plan N° : Sch_AR32 ST-OAU800.2-2013-01

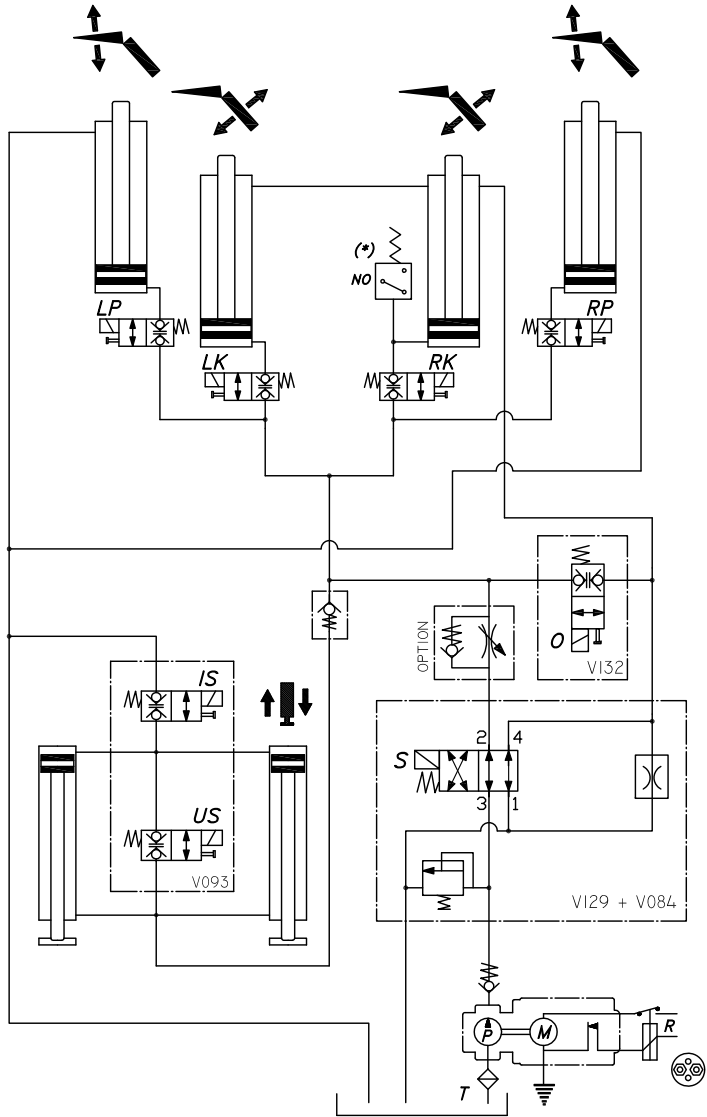
Date : 13/01/2014

DHOLLANDIA



2010/...

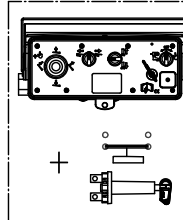
DH-AR31 + STAB. LEGS + OAE030.BP



(*) = NO PRESSURE CONTACT SET DURING FITTING: OPEN PLATFORM OPEN AT 45°, SET P SO THAT:
 NO WEIGHT -> PLATFORM REMAINS STABLE
 500 KG LOAD -> D+O OPEN & PLATFORM GOES DOWN

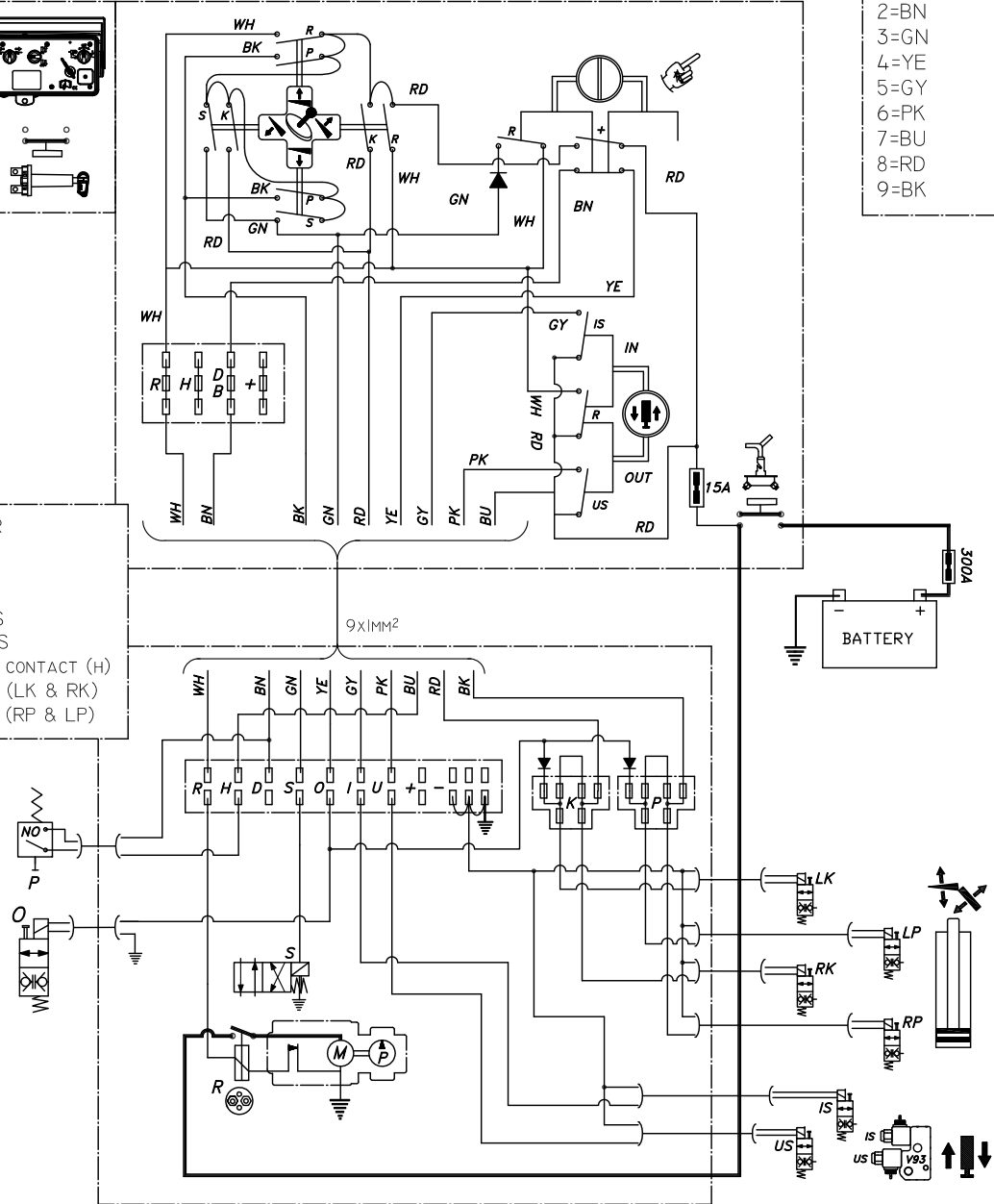
| | | | |
|--|-----------|---------|------|
| | R+LK+RK | R+LP+RP | R+IS |
| | R+S+LK+RK | S+LP+RP | R+US |
| | S+LK+RK | | |
| | | | |

OAE030.BP



EXTERIOR CONTROL BOX REF. EC5016

- WH-> R
- BN-> D
- GN-> S
- YE-> O
- GY-> IS
- PK-> US
- BU-> P CONTACT (H)
- RD-> K (LK & RK)
- BK-> P (RP & LP)



COLOUR CODES
DIN 47100

- 1=WH
- 2=BN
- 3=GN
- 4=YE
- 5=GY
- 6=PK
- 7=BU
- 8=RD
- 9=BK

Type : Hydraulic ramp DH-AR31 with full-width platform - 2010/...

Power pack : -

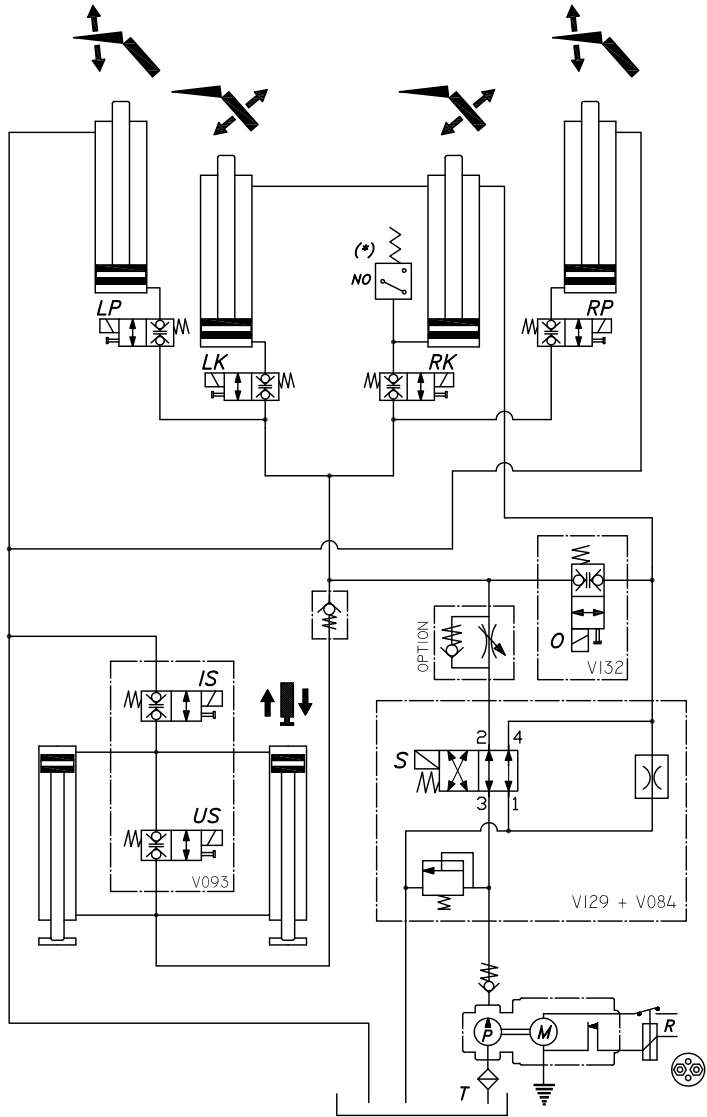
Valve : V129+V084

Plan N° : Sch_AR31 ST-2013-02

Date : 13/01/2014

DHOLLANDIA

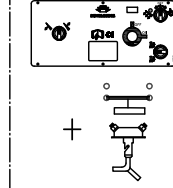
DH-AR31 + STAB. LEGS



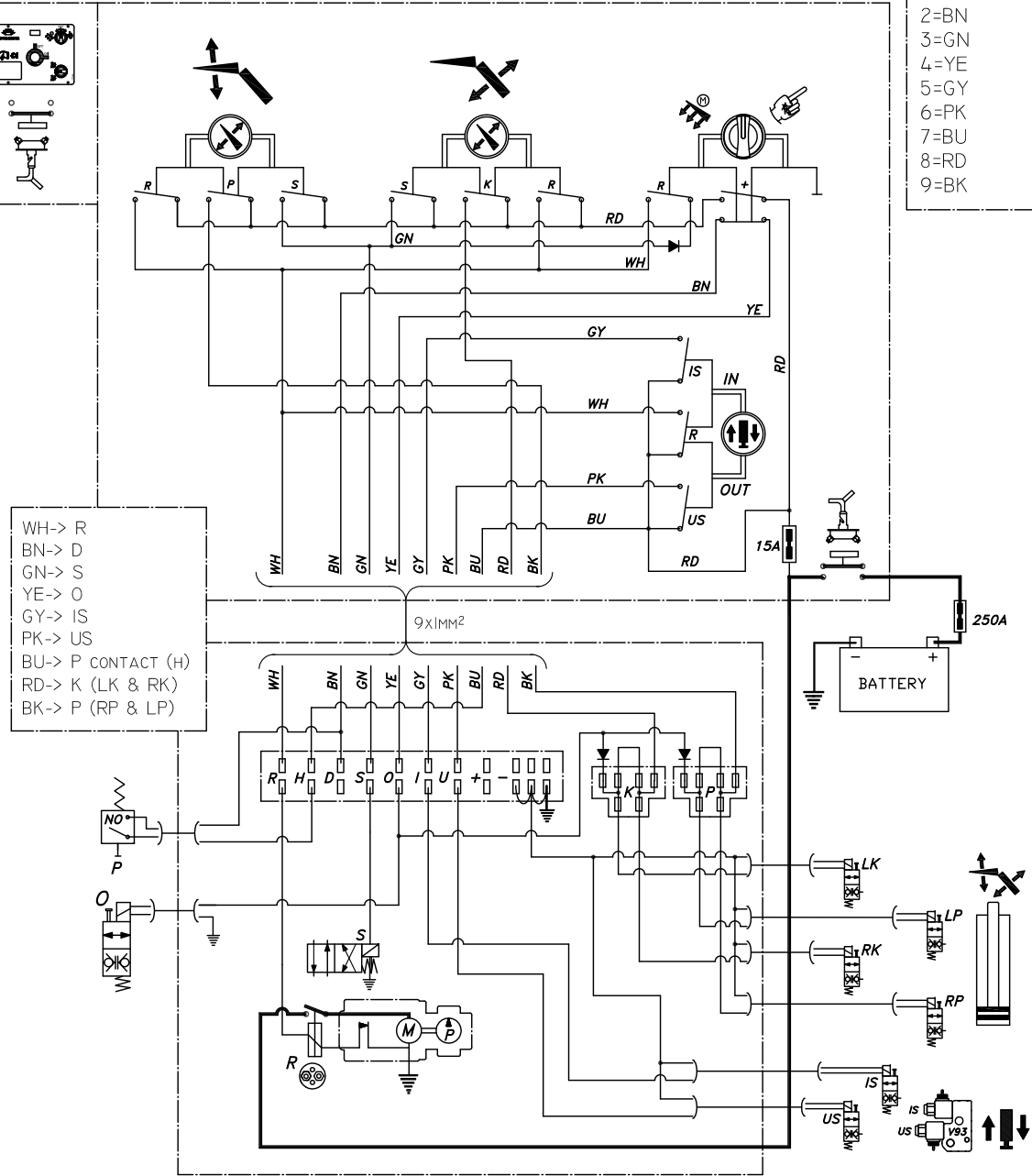
(*) = NO PRESSURE CONTACT SET DURING FITTING: OPEN PLATFORM OPEN AT 45°, SET P SO THAT:
 NO WEIGHT -> PLATFORM REMAINS STABLE
 500 KG LOAD -> D+O OPEN & PLATFORM GOES DOWN

| | | | |
|--|--|--|--|
| | | | |
| | | | |
| | | | |

OAE030.BT



EXTERIOR CONTROL BOX REF. EC5016



WH-> R
 BN-> D
 GN-> S
 YE-> O
 GY-> IS
 PK-> US
 BU-> P CONTACT (H)
 RD-> K (LK & RK)
 BK-> P (RP & LP)

COLOUR CODES
 DIN 47100

- 1=WH
- 2=BN
- 3=GN
- 4=YE
- 5=GY
- 6=PK
- 7=BU
- 8=RD
- 9=BK

Type : Hydraulic ramp DH-AR31 with full-width platform
 Power pack : -
 Plan N° : Sch_AR31 ST-2013-01

Valve : V129+V084

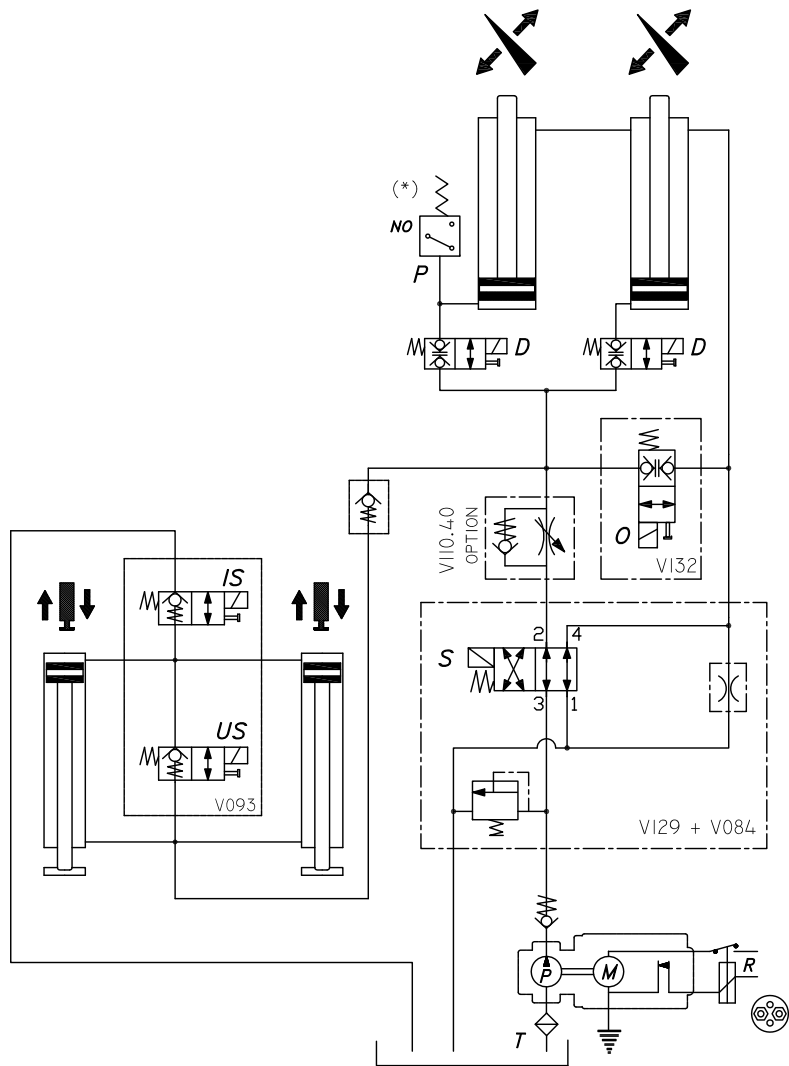
Date : 13/01/2014

DHOLLANDIA



2010/...

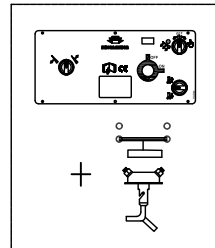
DH-ARI... / AR2... + STAB. LEGS



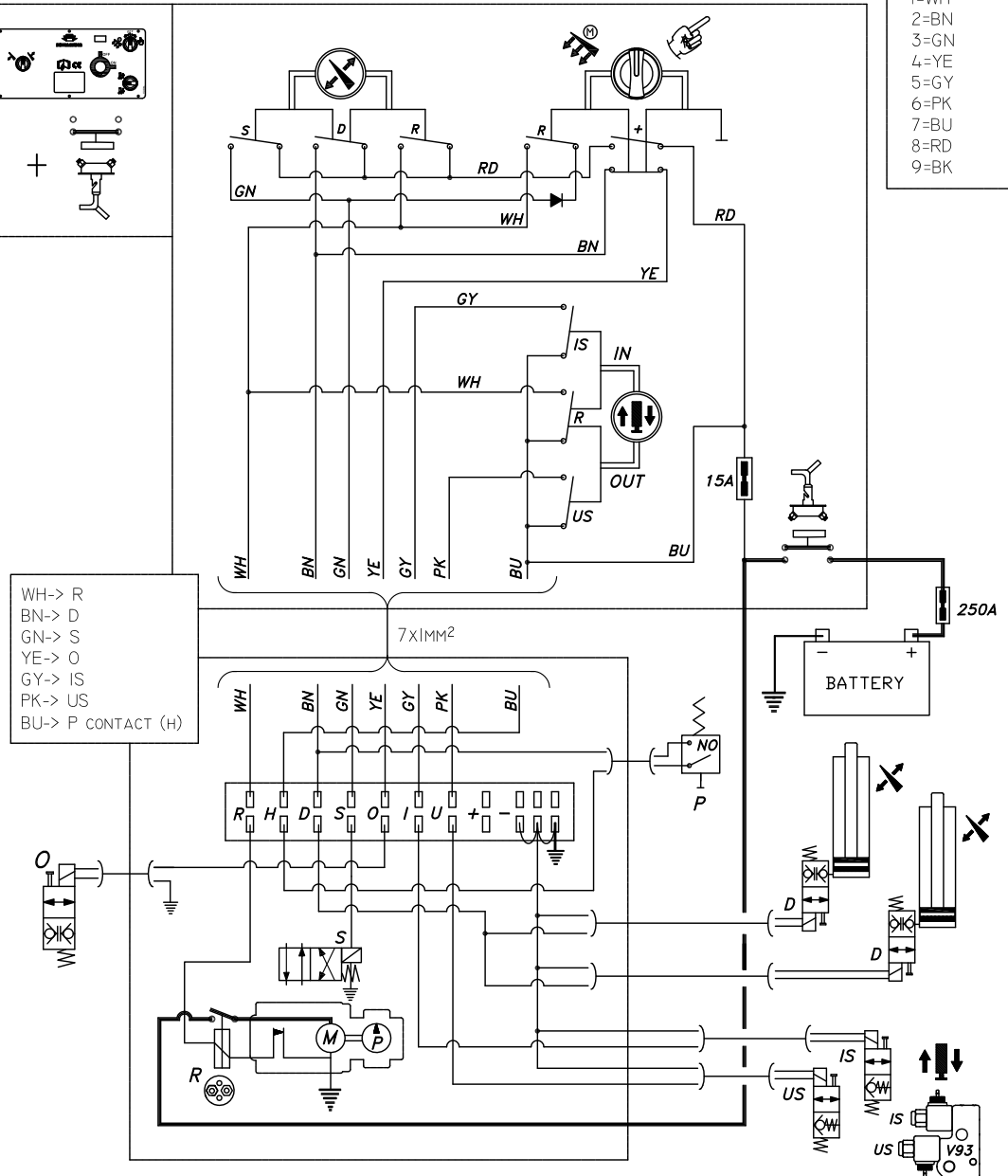
(*) = NO PRESSURE CONTACT SET DURING FITTING: OPEN PLATFORM OPEN AT 45°, SET P SO THAT:
 NO WEIGHT -> PLATFORM REMAINS STABLE
 500 KG LOAD -> D+O OPEN & PLATFORM GOES DOWN

| | | |
|--|--|--|
| | | |
| | | |

OAE030.BT



EXTERIOR CONTROL BOX REF. EC5014



WH-> R
 BN-> D
 GN-> S
 YE-> O
 GY-> IS
 PK-> US
 BU-> P CONTACT (H)

COLOUR CODES
 DIN 47100

- 1=WH
- 2=BN
- 3=GN
- 4=YE
- 5=GY
- 6=PK
- 7=BU
- 8=RD
- 9=BK

Type : Hydraulic ramp DH-AR11,12,21,22 + stabilising legs - 2010-...

Power pack : GAR.2511.40.L.X01 (24V)

Valve : V129+V084+V093

Plan N° : Sch_AR11 ST-2013-01

Date : 13/01/2014

DEHOLLANDIA



- 1=WH
- 2=BN
- 3=GN
- 4=YE
- 5=GY
- 6=PK
- 7=BU
- 8=RD
- 9=BK

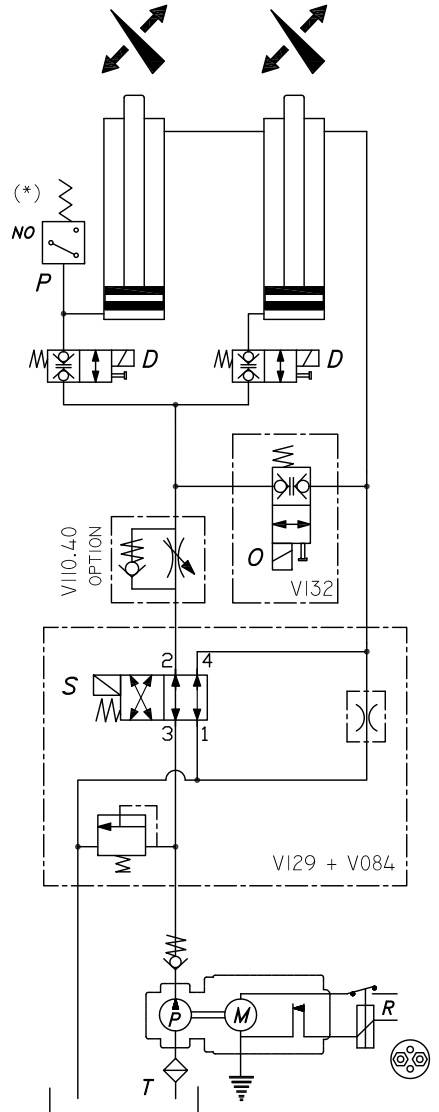
Type : Hydraulic ramp DH-AR11,12,21,22 without stabilising legs - 2010-...

Power pack : G.AR.2511.40.L.X01 (24V)

Plan N° : Sch_AR11-2013-01

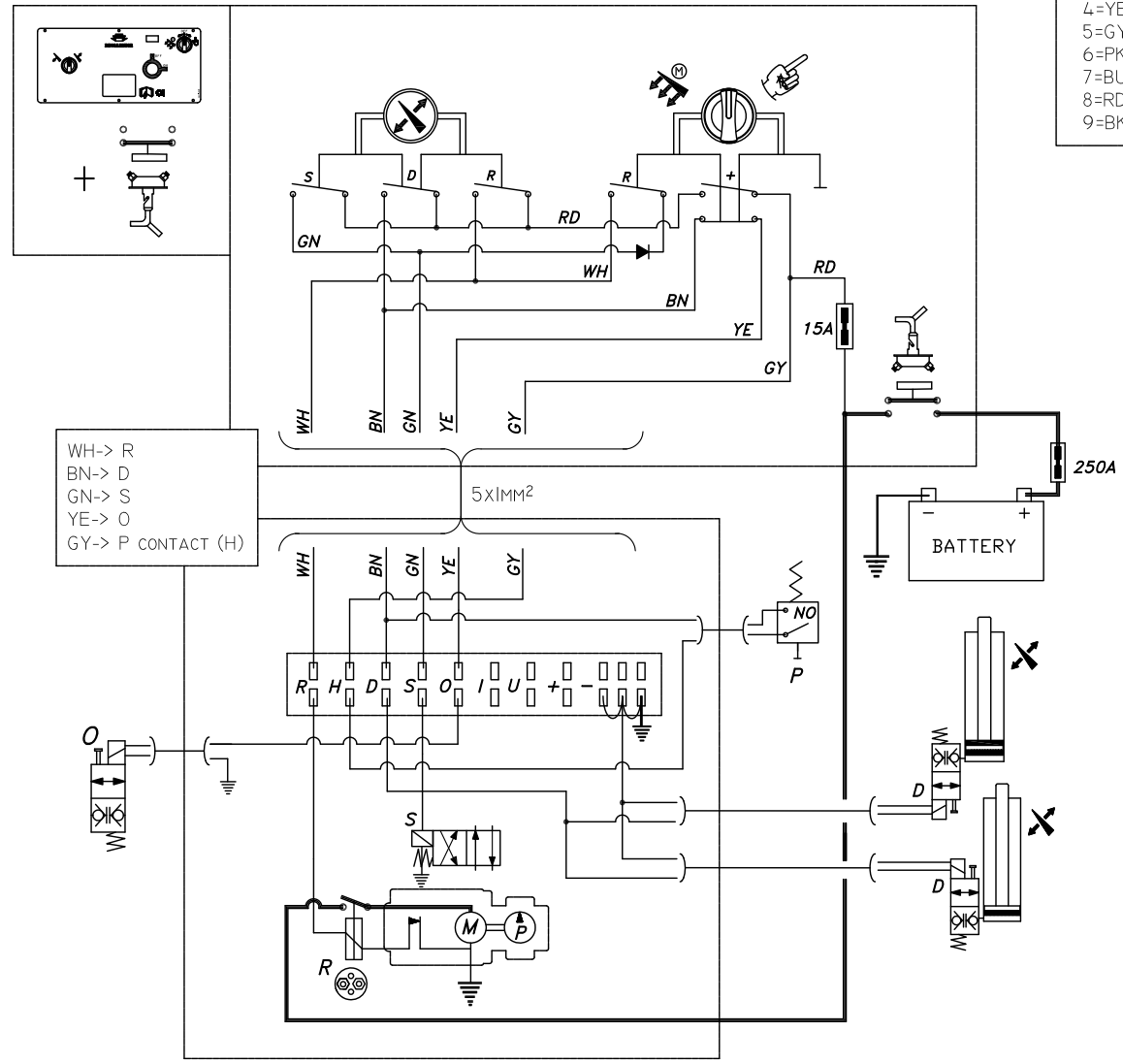
Valve : V129+V084

Date : 13/01/2014



OAE030.BT

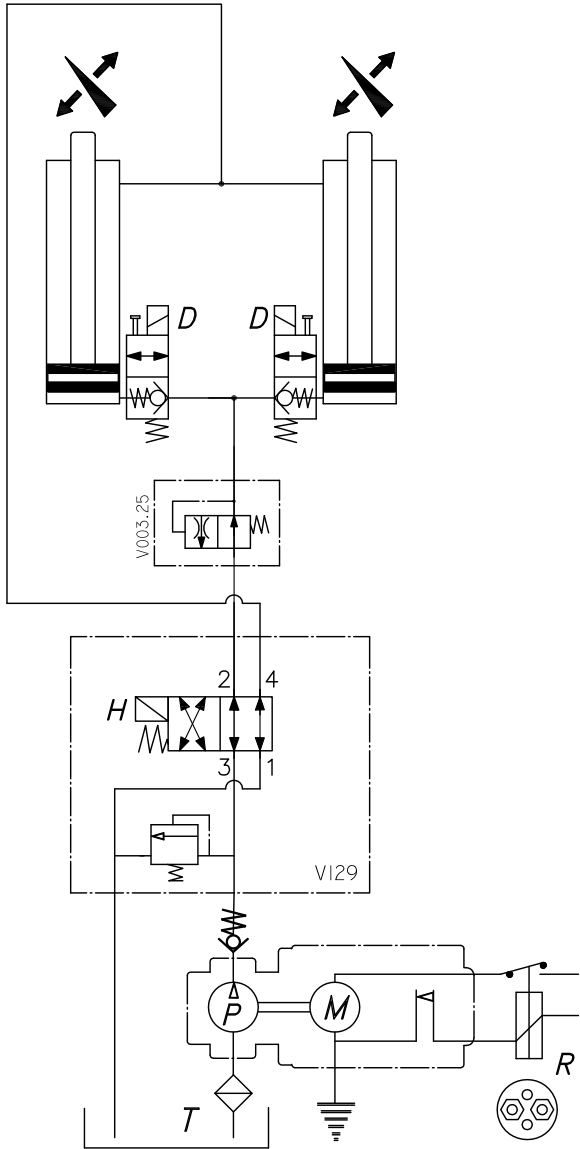
EXTERIOR CONTROL BOX REF. EC5013



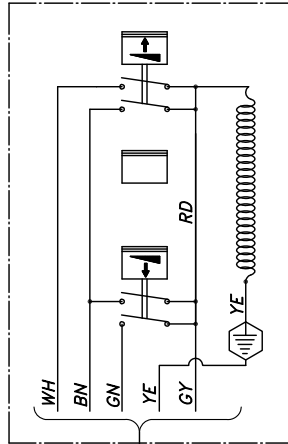
| | |
|--|--|
| | |
| | |

(*) = NO PRESSURE CONTACT SET DURING FITTING: OPEN PLATFORM OPEN AT 45°, SET P SO THAT:
NO WEIGHT -> PLATFORM REMAINS STABLE
500 KG LOAD -> D+O OPEN & PLATFORM GOES DOWN

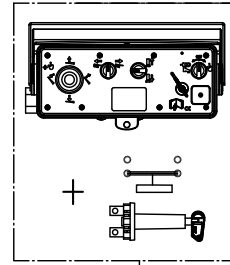
DH-IV MEAT LIFT



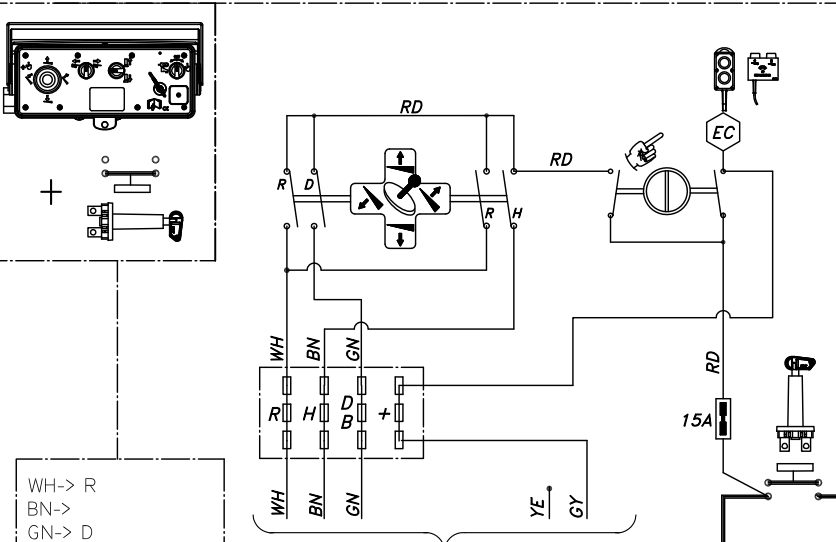
E0793.20.I.H.C4005



OAE030.BT

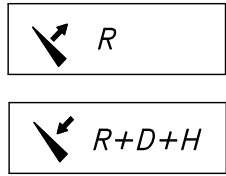


EXTERIOR CONTROL BOX REF. ED542.T0 / ED562.T0



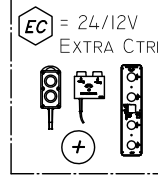
WH-> R
 BN-> D
 GN-> D
 YE-> - EARTH
 GY-> + EXTRA CTRL.

WH->
 BN-> R
 GN-> D
 YE-> - EARTH
 GY-> + EXTRA CTRL.



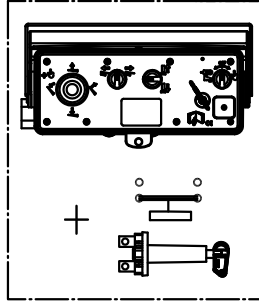
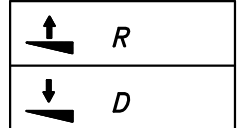
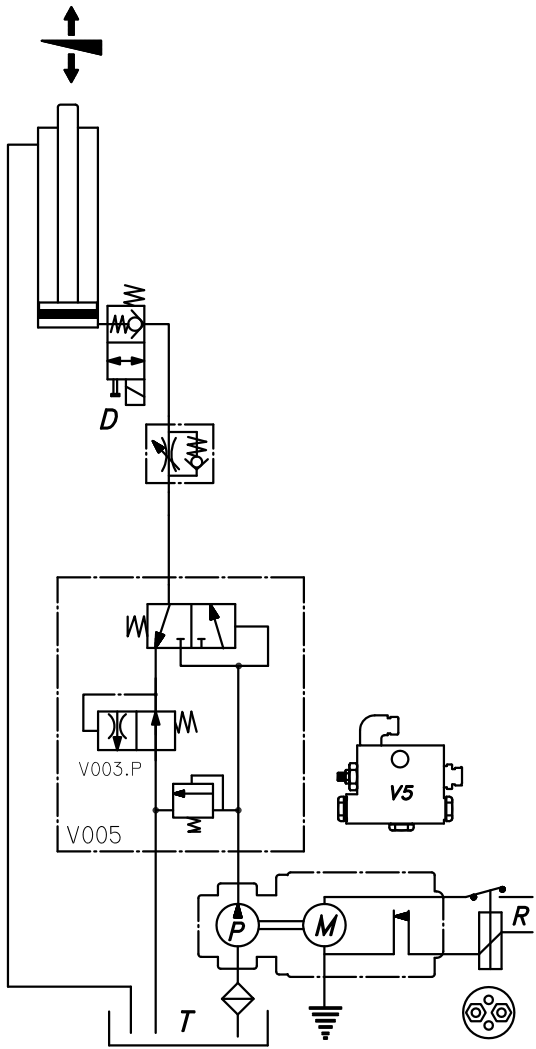
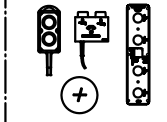
COLOUR CODES
 DIN 47100

- 1=WH
- 2=BN
- 3=GN
- 4=YE
- 5=GY
- 6=PK
- 7=BU
- 8=RD
- 9=BK



- 1=WH
- 2=BN
- 3=GN
- 4=YE
- 5=GY
- 6=PK
- 7=BU
- 8=RD
- 9=BK

EC = 24/12V
EXTRA CTRL.



WH-> R
BN-> D
GN-> + EXTRA CTRL.
YE-> - EARTH

