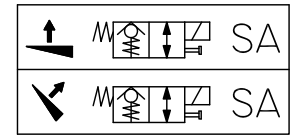


MECH - SA



	R + H
	D
	R + S
	O
	R + S2
	R + S1

DH-V05 + OVU002 + STAB. LEGS

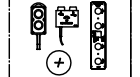
OAE030.BT

EXTERIOR CONTROL REF.E0176.V05

Colour codes
DIN 47100

- 1=WH
- 2=BN
- 3=GN
- 4=YE
- 5=GY
- 6=PK
- 7=BU
- 8=RD
- 9=VT
- 11=GY/PK
- 12=RD/BU

EC = 24/12V
EXTRA CTRL.



Type : Removal lift DH-V020.D.4.10 [V05] + hydraulic stabilising legs - 2002/...

Power pack : G-VS05

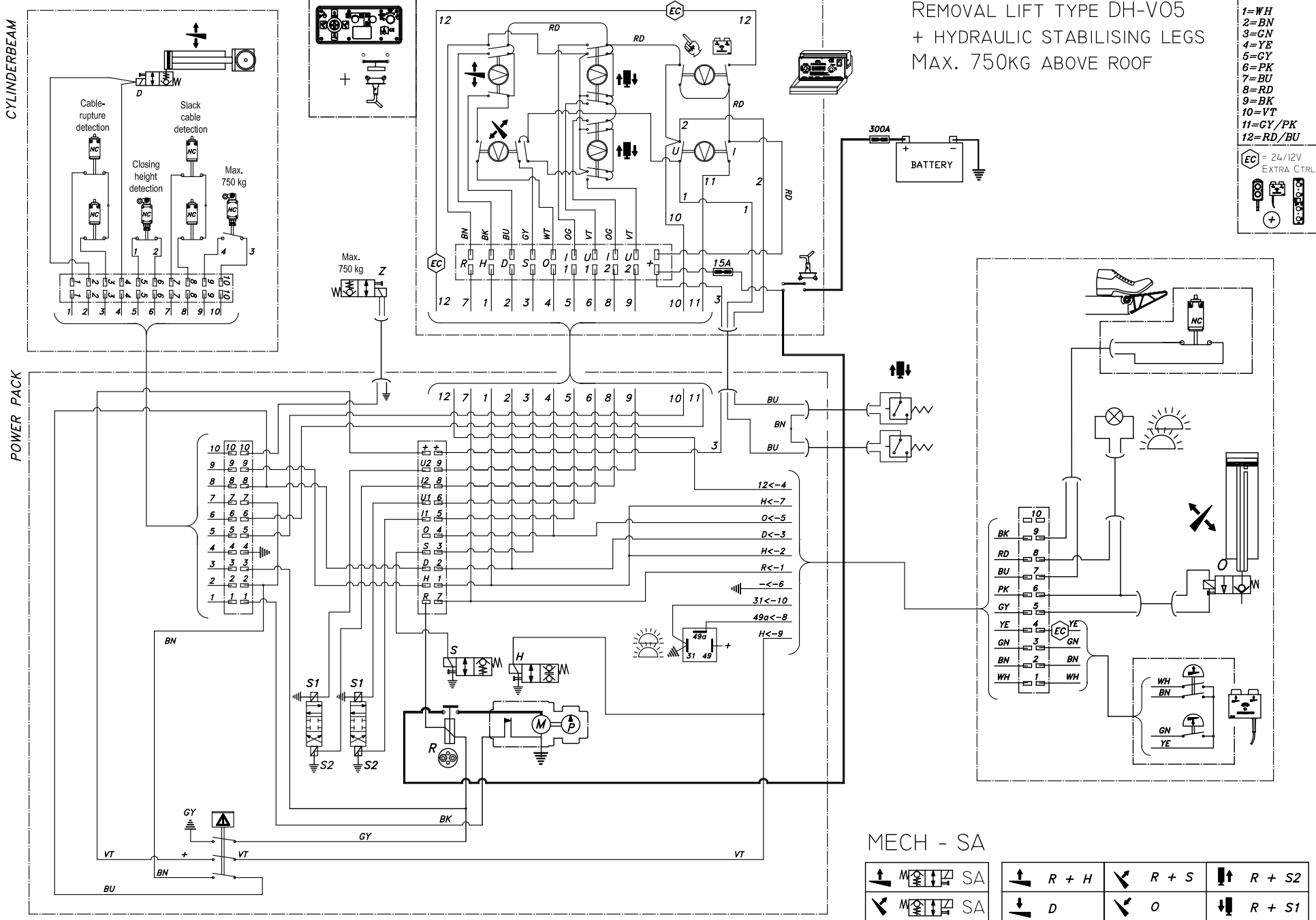
Valve : V012.E

Plan N° : Sch_V05-MECH-SA-OAE030.BT-2013-01

Date : 03/01/2014

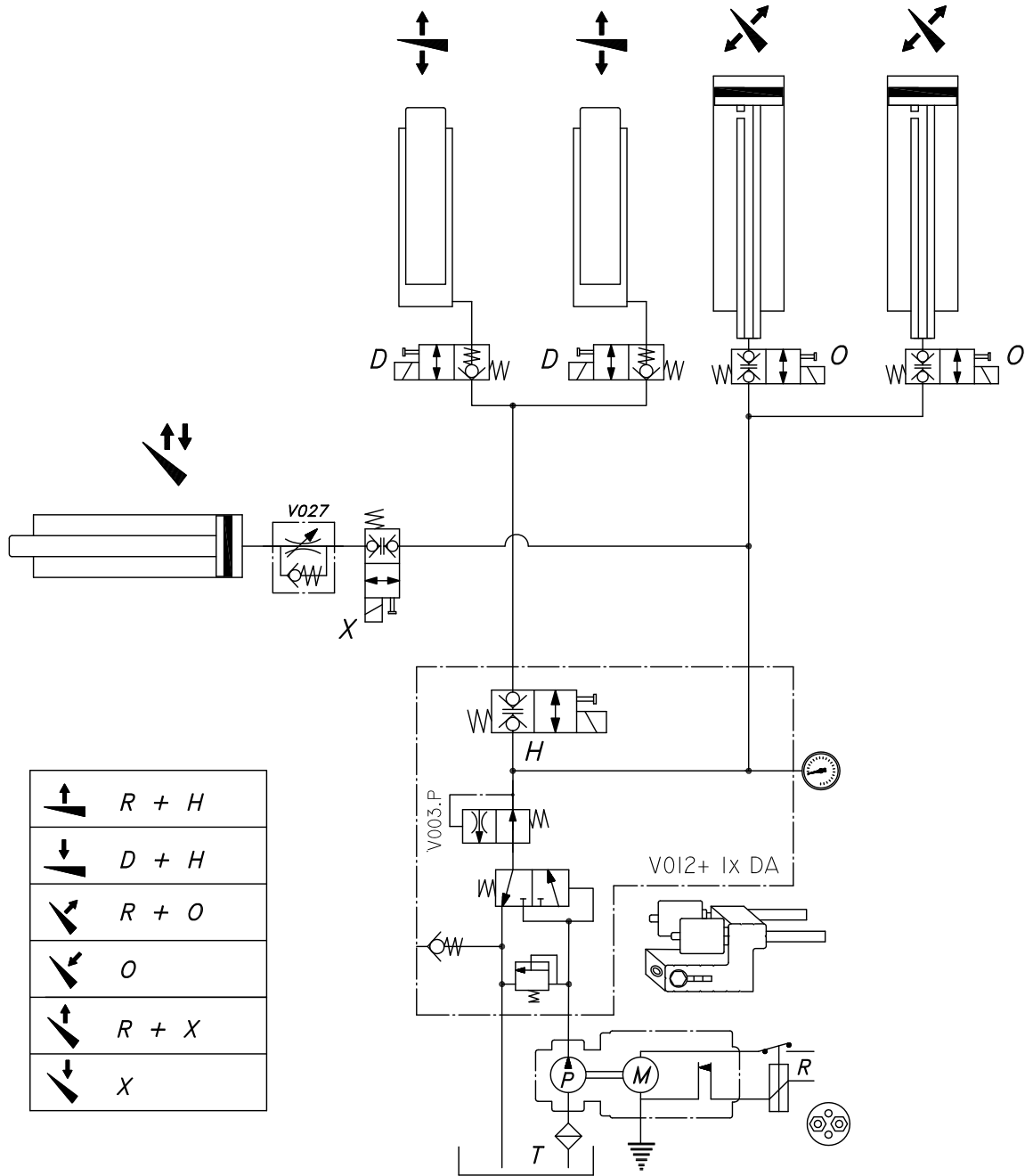
DHOLLANDIA

REMOVAL LIFT TYPE DH-V05
+ HYDRAULIC STABILISING LEGS
MAX. 750KG ABOVE ROOF



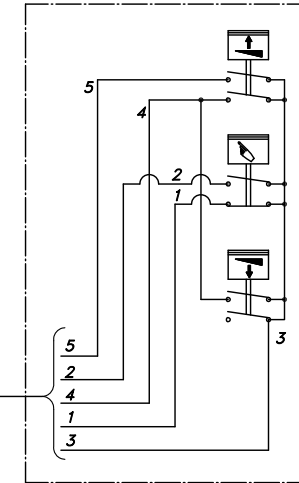
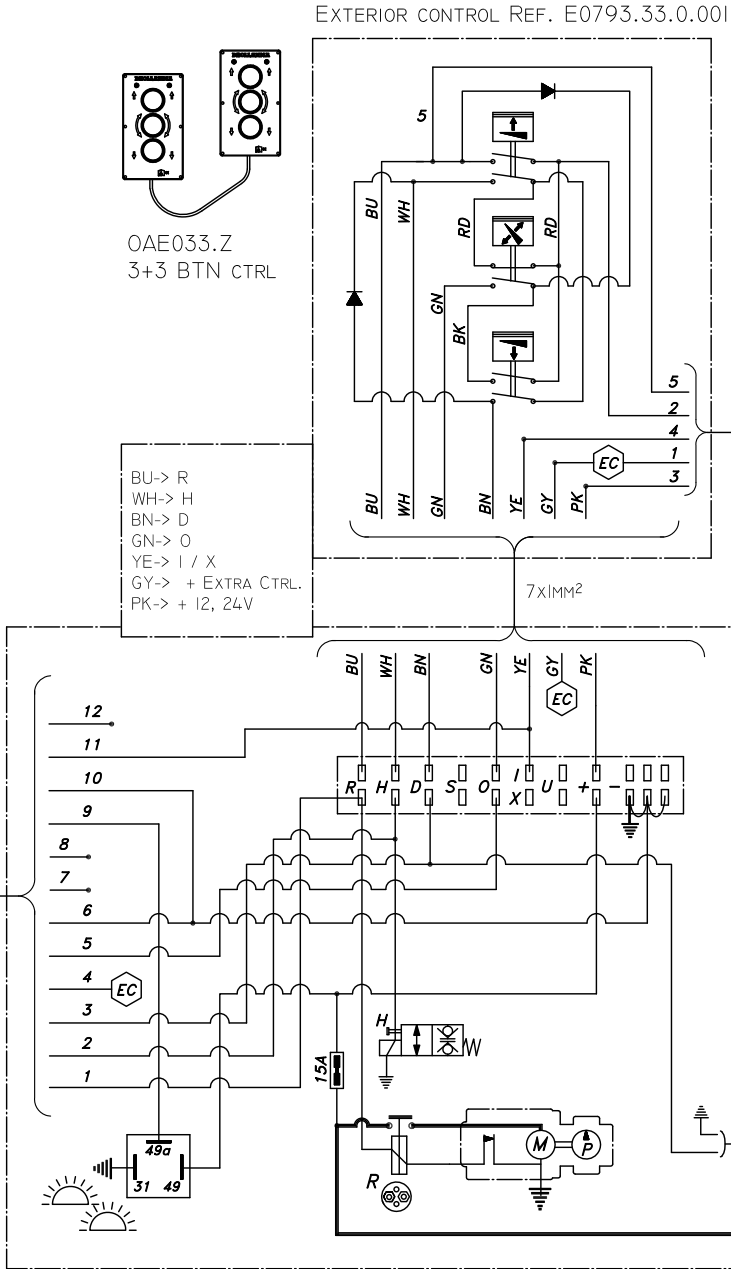
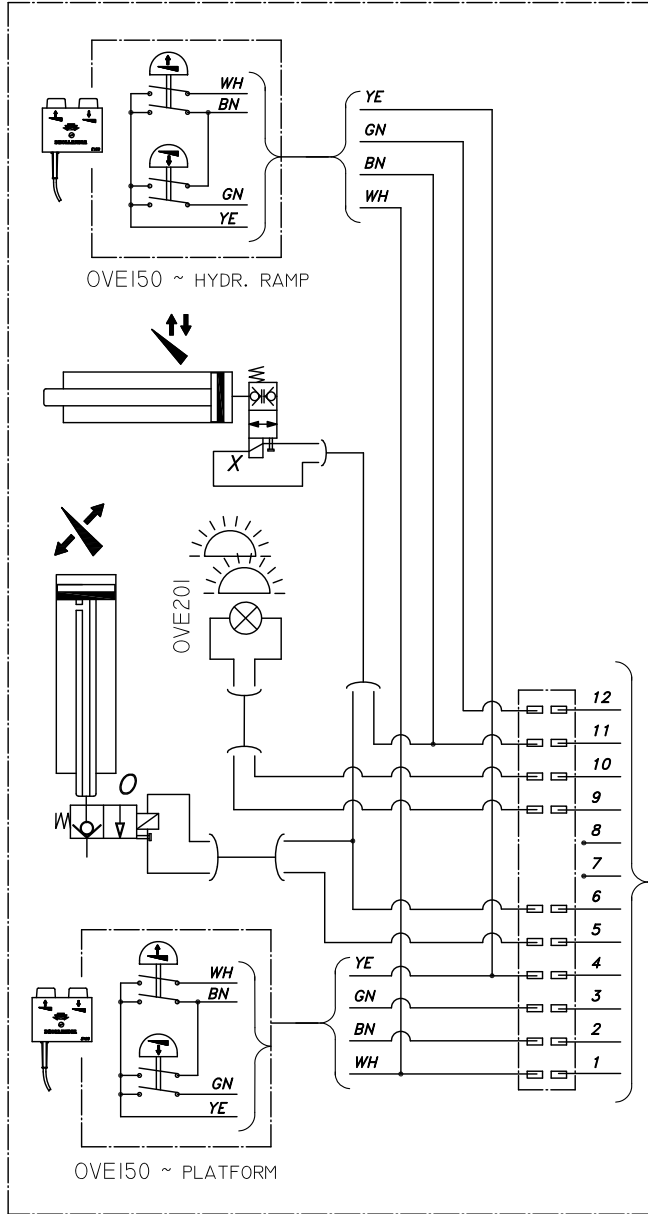
MECH - SA

		SA		R + H		R + S		R + S2
		SA		D		O		R + S1



	R + H
	D + H
	R + O
	O
	R + X
	X

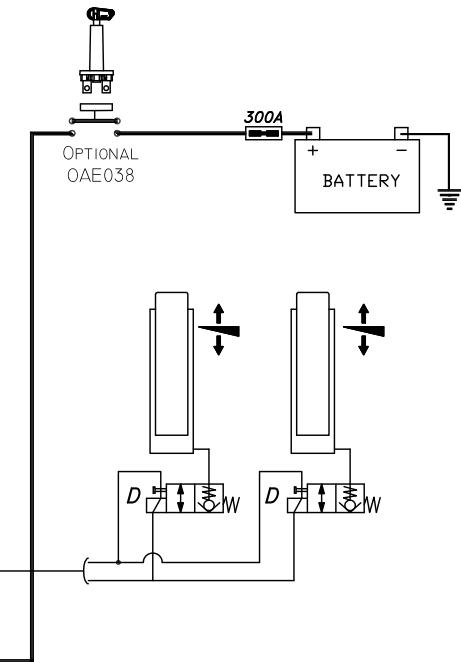
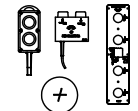
DH-VH32 + OVPI25 HYDR. RAMP + OAE033.Z + OVE201.A



COLOUR CODES
DIN 47100

- 1=WH
- 2=BN
- 3=GN
- 4=YE
- 5=GY
- 6=PK
- 7=BU
- 8=RD
- 9=BK

EC = 24/12V
EXTRA CTRL.



	R + H		R + O		R + X
	D + H		O		X

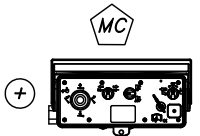
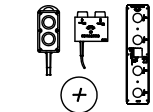
DH-VB.15.D2 + OVH004 + OAZ031.Z + OAE008

EXTERIOR CONTROL BOX REF. E0793.31.0.V

COLOUR CODES
DIN 47100

- 1=WH
- 2=BN
- 3=GN
- 4=YE
- 5=GY
- 6=PK
- 7=BU
- 8=RD
- 9=BK

EC = 24/12V
EXTRA CTRL.

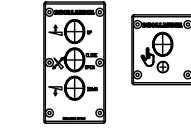
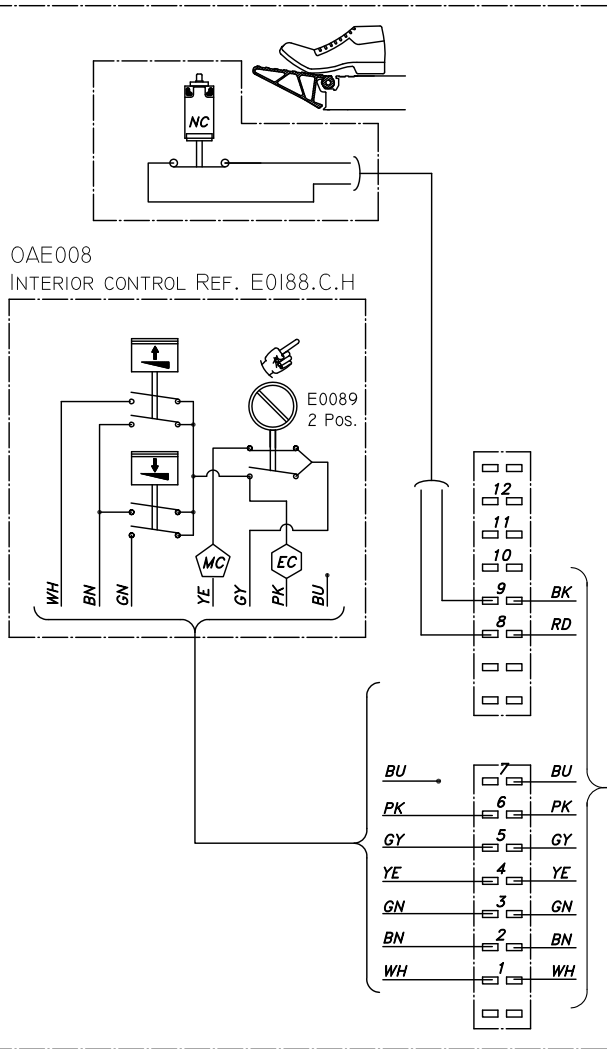


Type : Column lift DH-VB15.D2 + OVH004 hydraulic closure 1 lift cyl - 2013/...
Power pack : -
Valve : V012.X

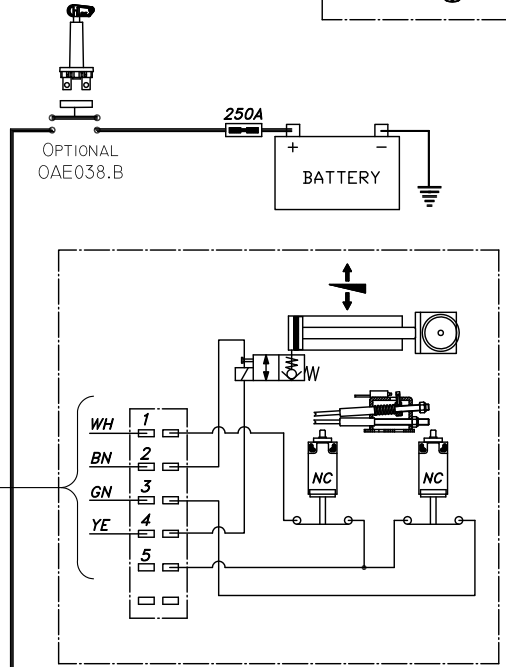
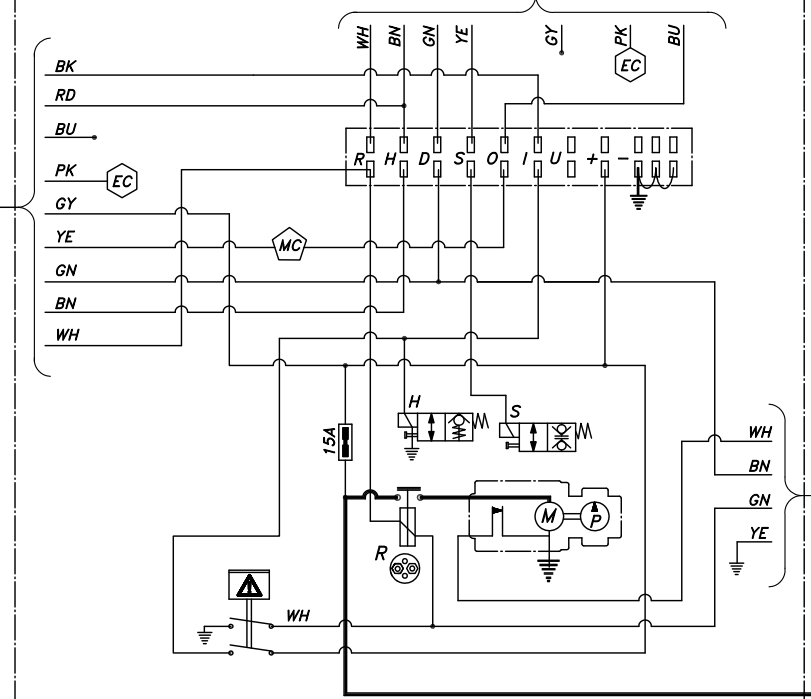
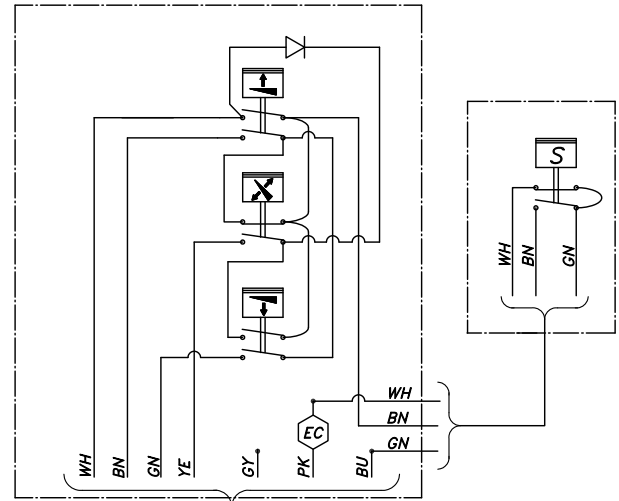
Plan N° : Sch_VB15D2-OAE031.Z-OVH004-OAE008-2013-01

Date : 11/09/2013

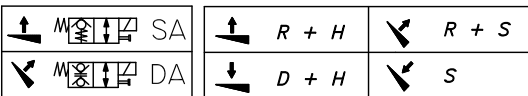
DHOLLANDIA



WH-> R
BN-> H
GN-> D
YE-> S
GY->
PK-> + EXTRA CTRL.
BU-> + 12/24 V



OVH004



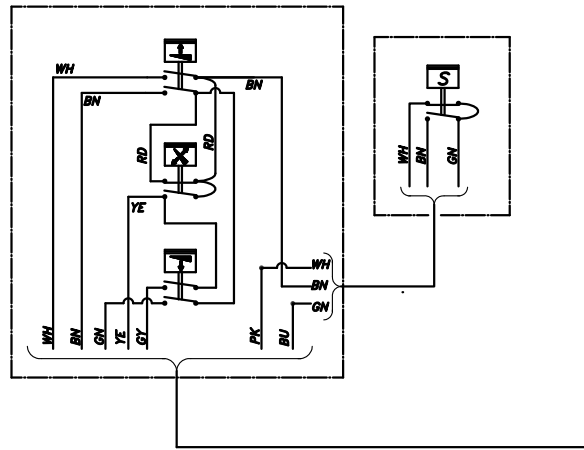
DH-VBC2 + OAE031.Z + OVE006 + OVP401.1

COLOUR CODES
DIN 47100

EC = 24/12V
EXTRA CTRL.

- 1=WH
- 2=BN
- 3=GN
- 4=YE
- 5=GY
- 6=PK
- 7=BU
- 8=RD
- 9=BK
- 10=VT
- 11=GY/PK
- 12=RD/BU

EXTERIOR CONTROL BOX REF. E0793.31.0.M

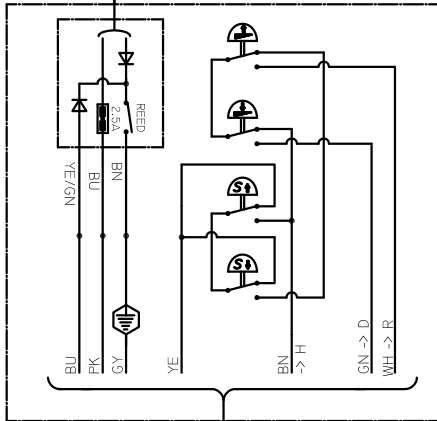
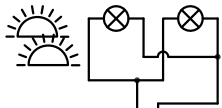


7X1 MM²

9X1 MM²
12X1 MM²

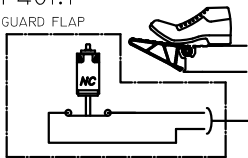
IN PLATFORM

OVE201.A
PLATFORM LIGHTS IN PLATFORM



OVE006 FOOT CTRL.
+ REED SENOR

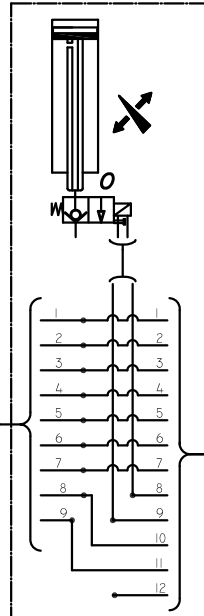
OVP401.1
TOE GUARD FLAP



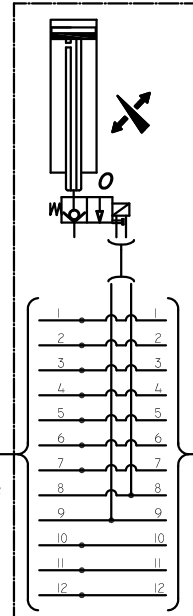
- WH 1
- BN 2
- GN 3
- YE 4
- GY 5
- PK 6
- BU 7
- 8
- 9

7X1 MM²
9X1 MM²

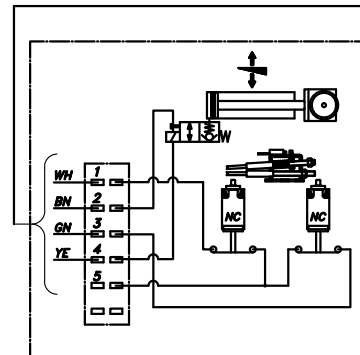
TILT CYL - R



9X1 MM²
12X1 MM²

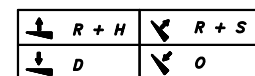
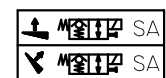


CYLINDER BEAM TILT CYLINDER - L

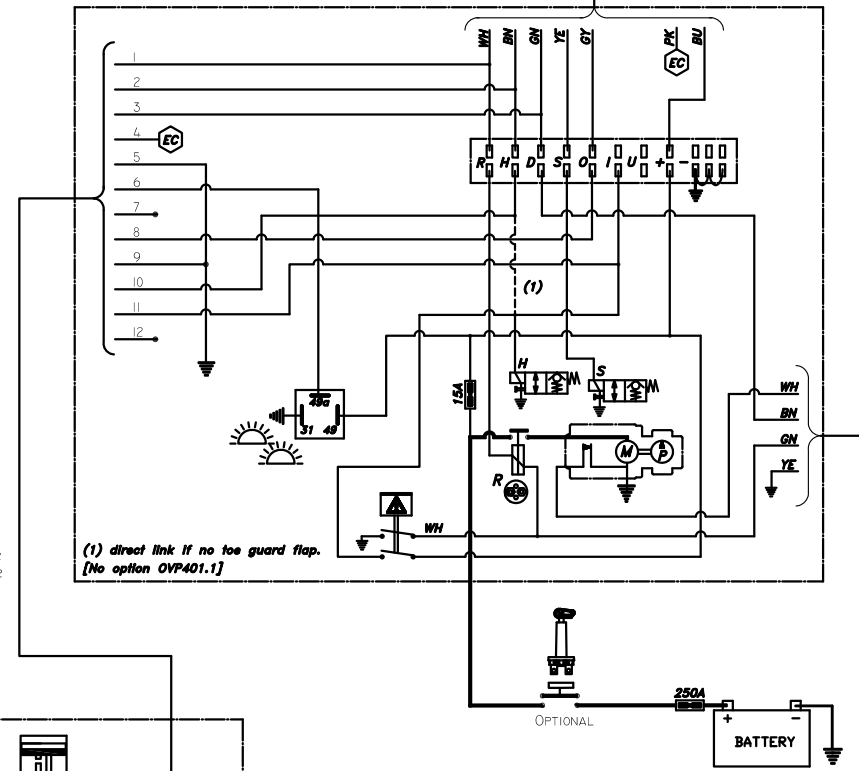


4X1 MM²

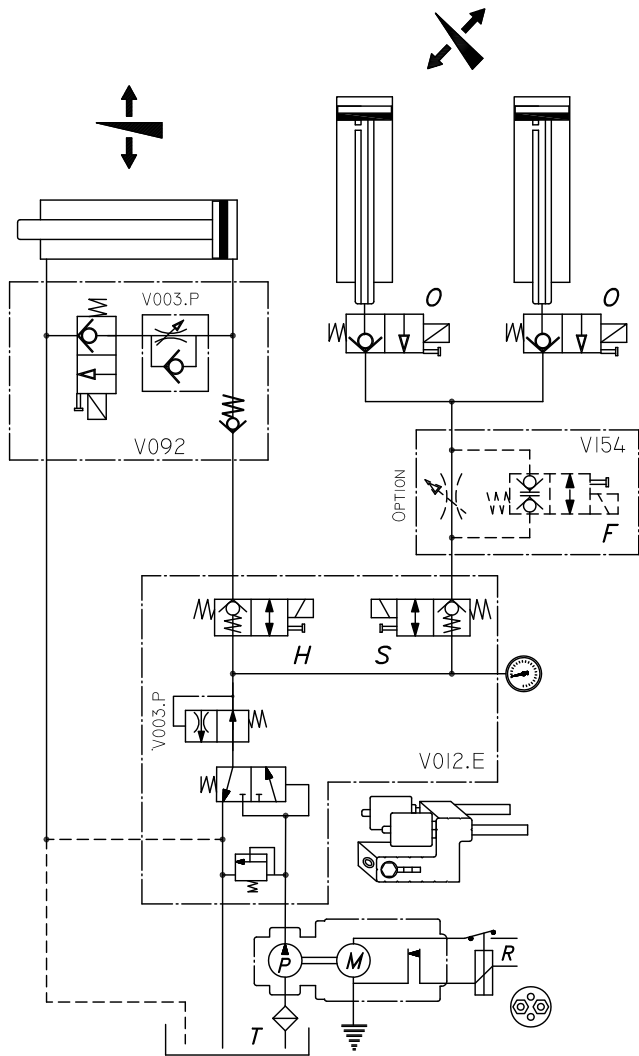
MECH - SA



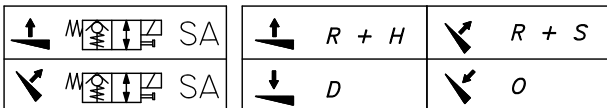
POWER PACK



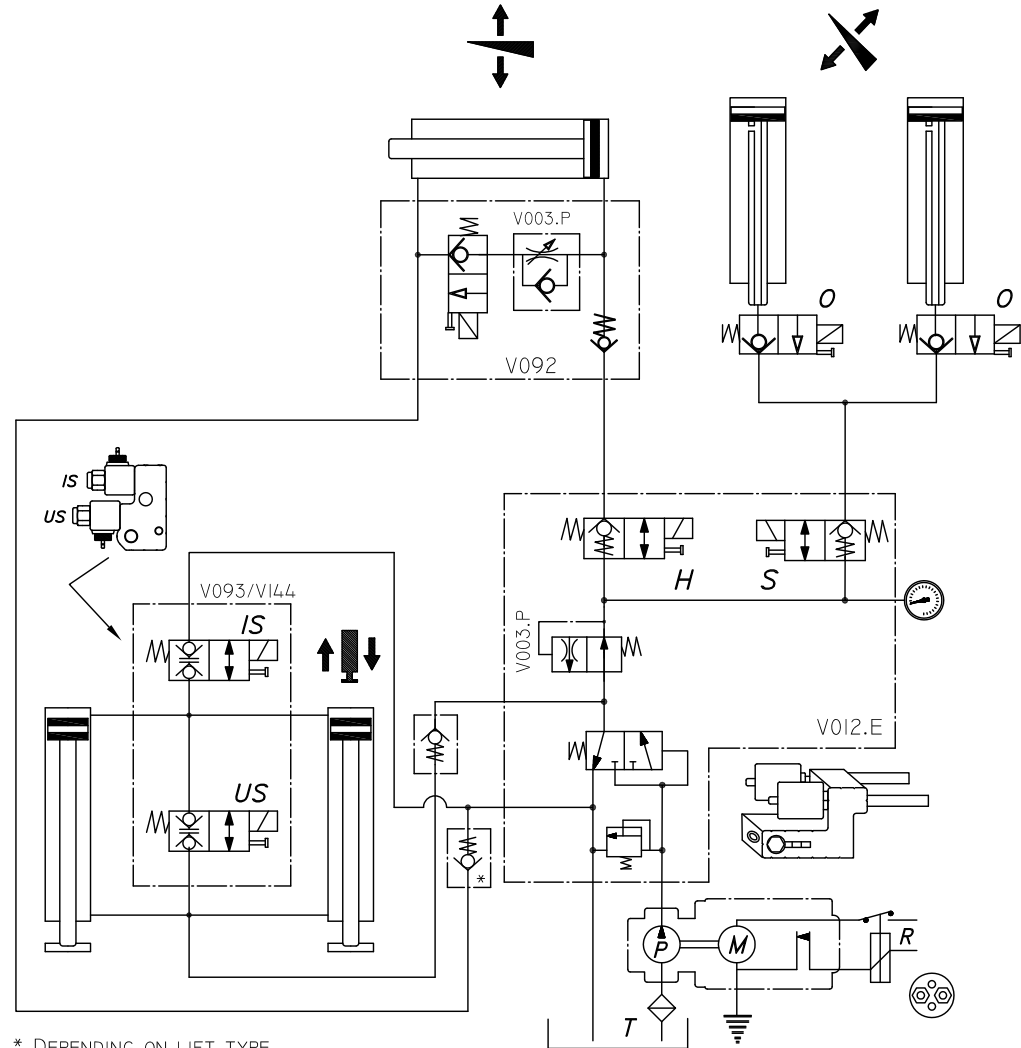
TYPE DH-VB..., VBV, VO... EXTERNAL LIFT
(+ HYDRAULIC CLOSURE)



MECH - SA

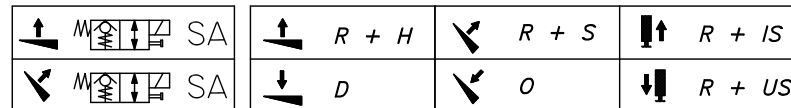


TYPE DH-VB..., VO... EXTERNAL LIFT (+ HYDRAULIC CLOSURE)
+ HYDRAULIC STABILISING LEGS



* DEPENDING ON LIFT TYPE

MECH - SA



Type : Column lift DH-VB, VO, VX + double cable system - 2005/...
Power pack : G-VS-01
Valve : V012.E
Plan N° : Sch_VO_VB-MECH.DA-hydr scheme-2013-01
Date : 03/01/2014



DH-VO, VB, VX

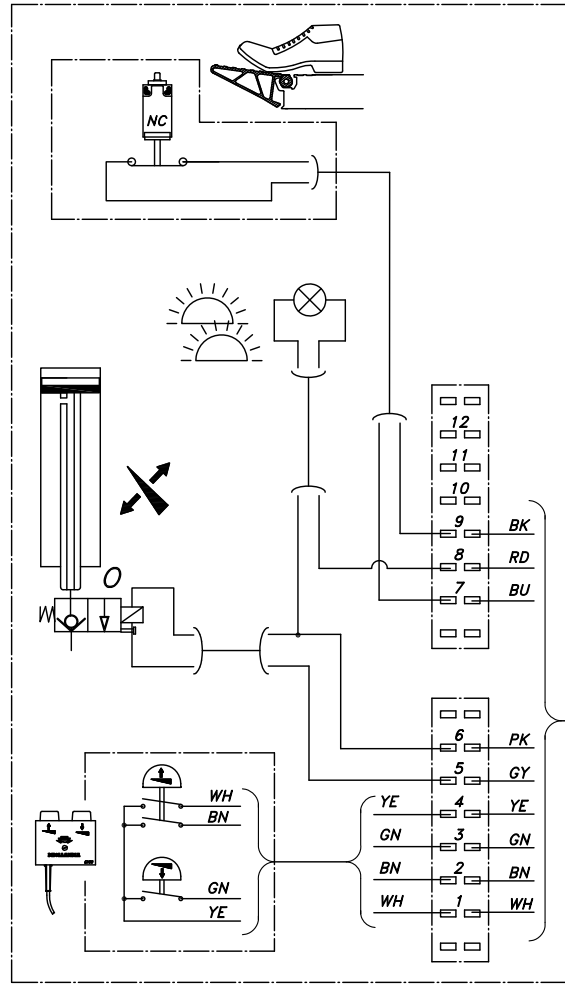
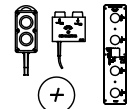
EXTERIOR CONTROL BOX REF. E0793.31.0.M

OAE031.Z

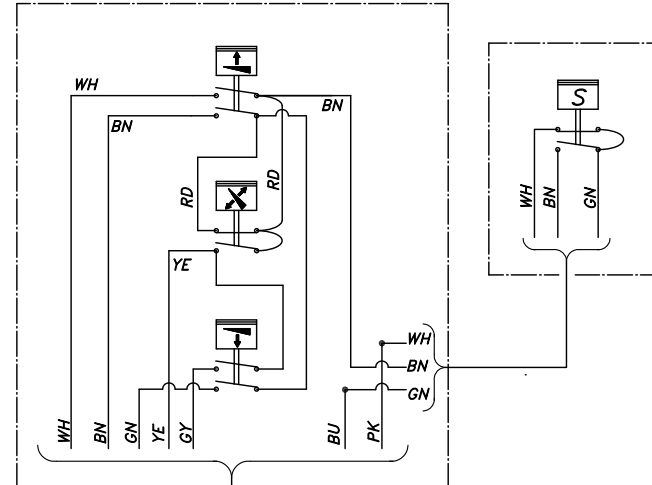
COLOUR CODES
DIN 47100

- 1=WH
- 2=BN
- 3=GN
- 4=YE
- 5=GY
- 6=PK
- 7=BU
- 8=RD
- 9=BK

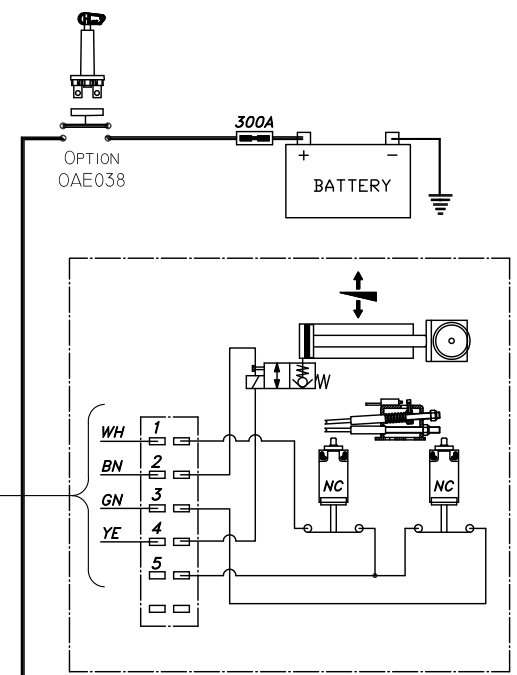
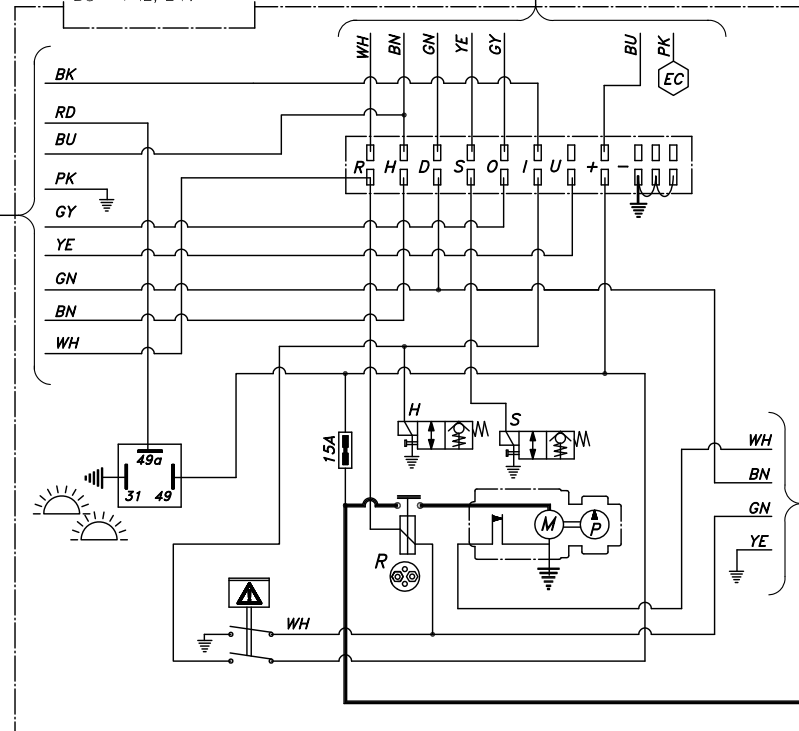
EC = 24/12V
EXTRA CTRL.



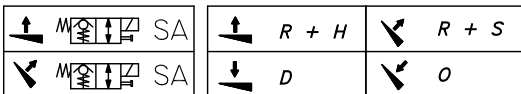
WH-> R
BN-> H -> TOE GUARD
GN-> D
YE-> S
GY-> O
PK-> + EXTRA CTRL.
BU-> + 12, 24V



7X1MM²



MECH - SA



Type : Column lift DH-VB, VO, VX + double cable system - 2005/...

Power pack : G-VS-01

Valve : V012.E

Plan N° : Sch_VO_VB-MECH.SA-OAE031.Z-2013-01

Date : 03/01/2014

DHOLLANDIA

DH-VO, VB, VX

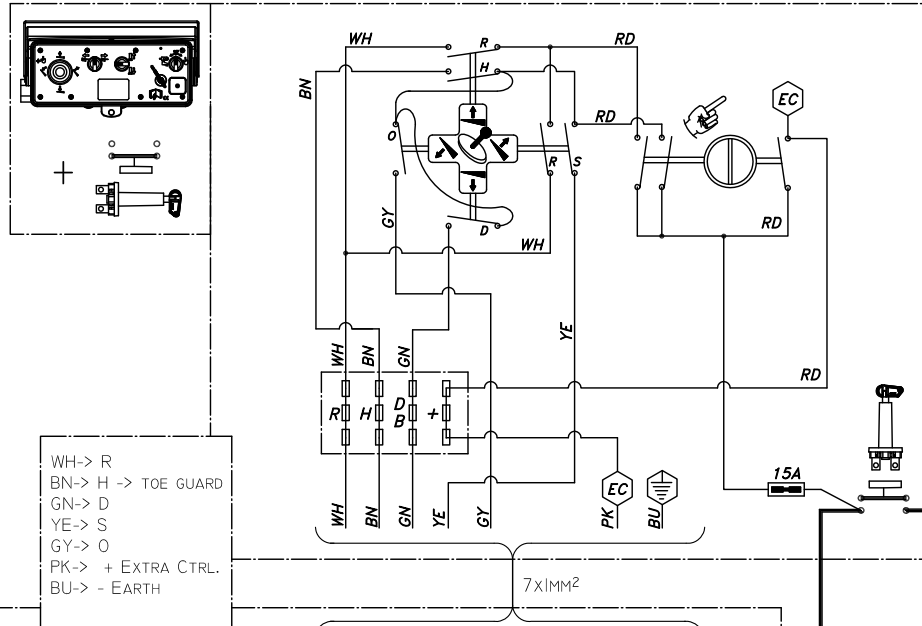
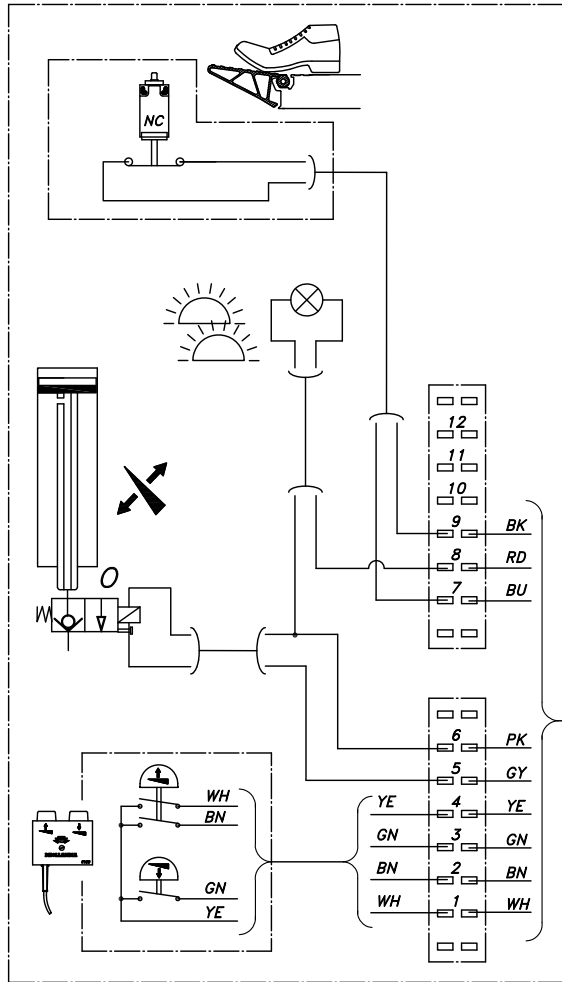
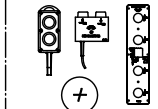
OAE030.BT

EXTERIOR CONTROL BOX REF. EDI00.T0 / EDI20.T0

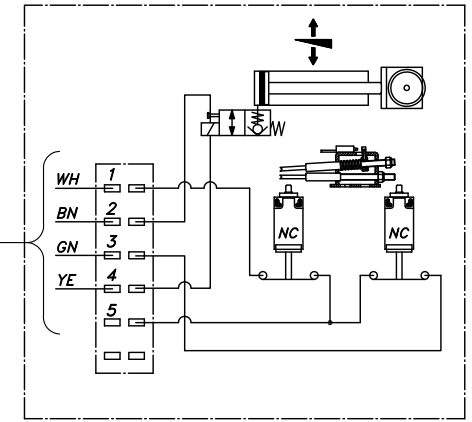
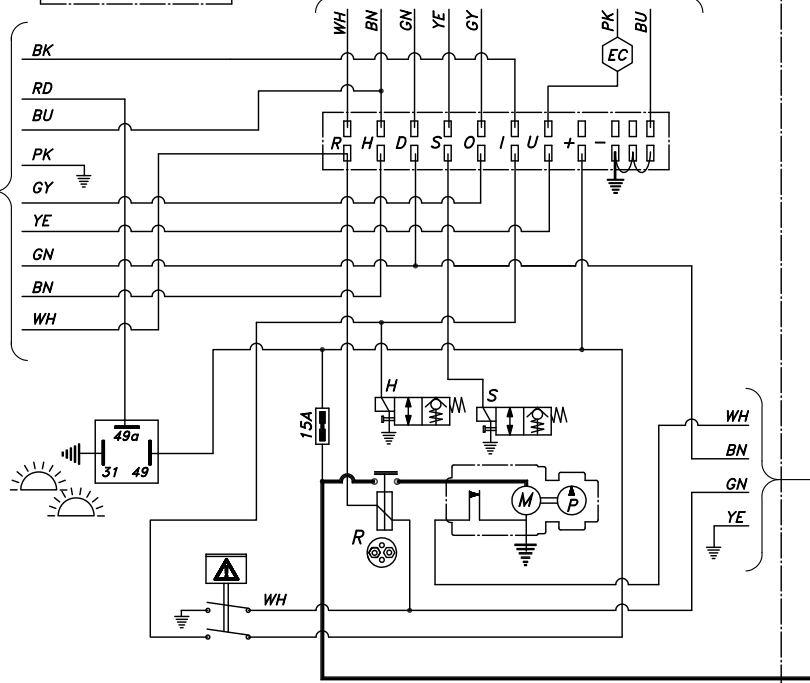
COLOUR CODES
DIN 47100

- 1=WH
- 2=BN
- 3=GN
- 4=YE
- 5=GY
- 6=PK
- 7=BU
- 8=RD
- 9=BK

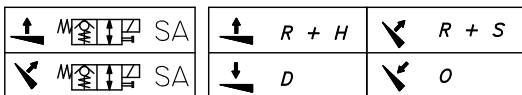
EC = 24/12V
EXTRA CTRL.



WH-> R
BN-> H -> TOE GUARD
GN-> D
YE-> S
GY-> O
PK-> + EXTRA CTRL.
BU-> - EARTH



MECH SA



Type : Column lift DH-VB, VO, VX + double cable system - 2005/...

Power pack : G-VS-01

Valve : V012.EF

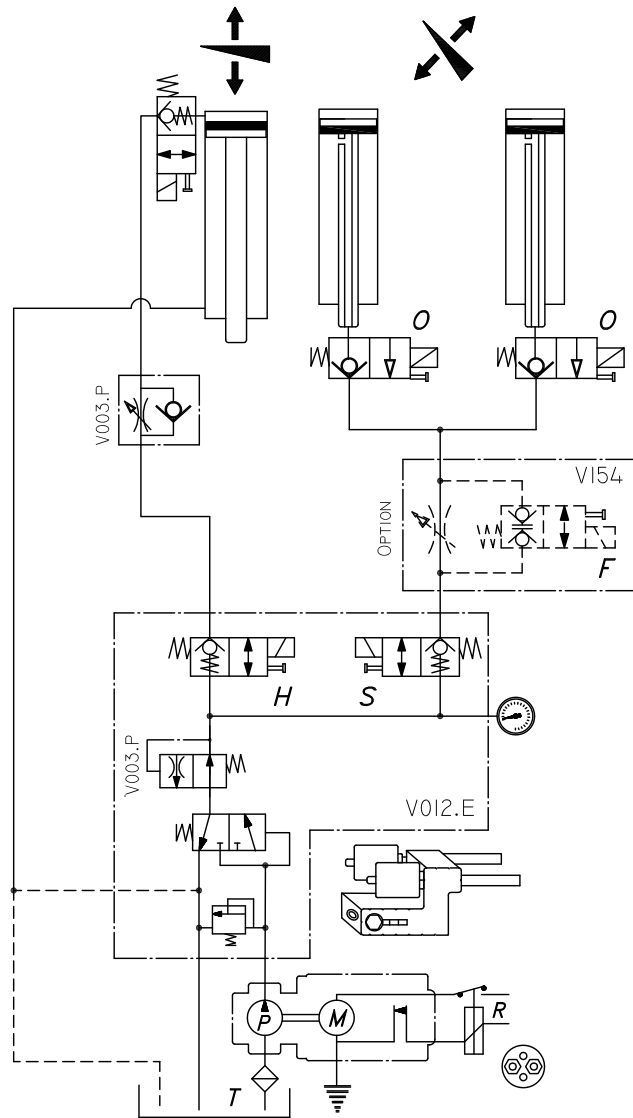
Plan N° : Sch_VO_VB-MECH.SA-OAE030.BT-2013-01

Date : 03/01/2014

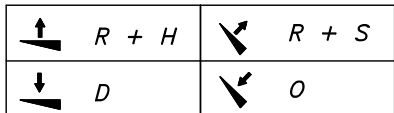
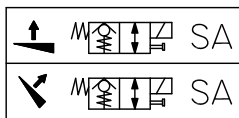
DHOLLANDIA

DH-VXA / VBA / VBC

HYDRAULIC CLOSURE WITH 2 TILT CYLINDERS

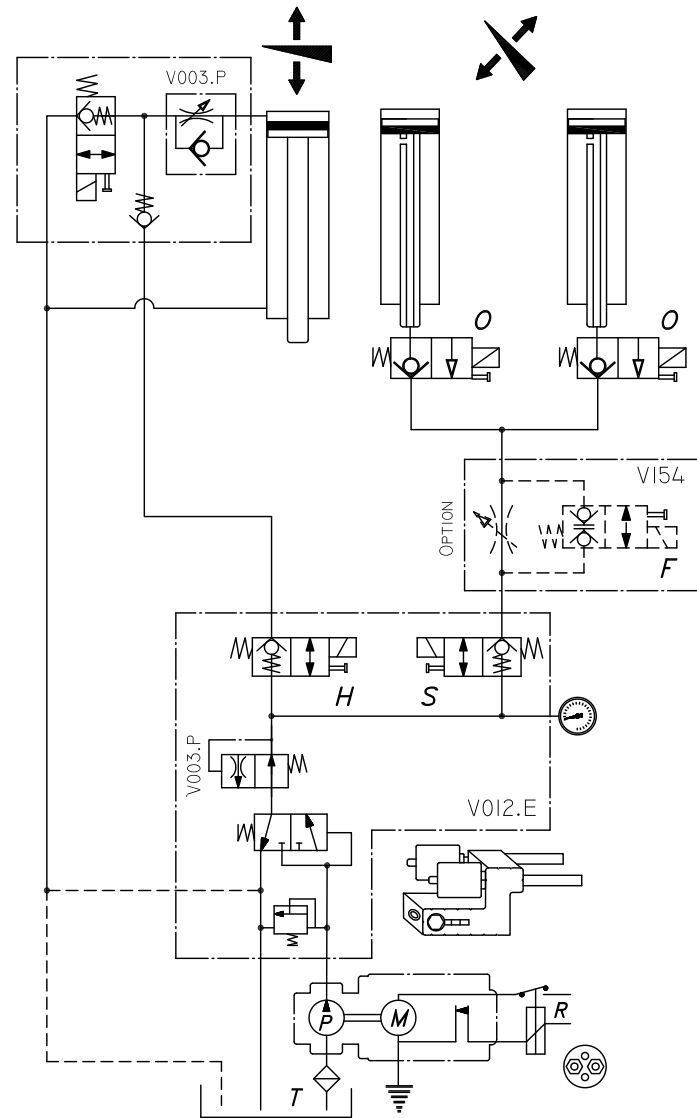


MECH - SA

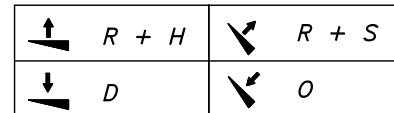
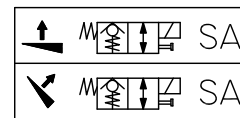


DH-VBV CATTLE LIFT

HYDRAULIC CLOSURE WITH 2 TILT CYLINDERS



MECH - SA



Type : DH-VXA, VBA, VBC, VBV hydraulic connection diagram - 2002/...

Power pack : Serial N°

Valve : V012.D

Plan N° : Sch_VXA_VBA_VBC_VBV-hydr-2011-01

Date : 01/04/2011

DHOLLANDIA

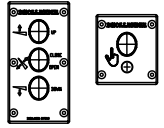
EXTERIOR CONTROL E0793.31.0.M

COLOUR CODES
DIN 47100

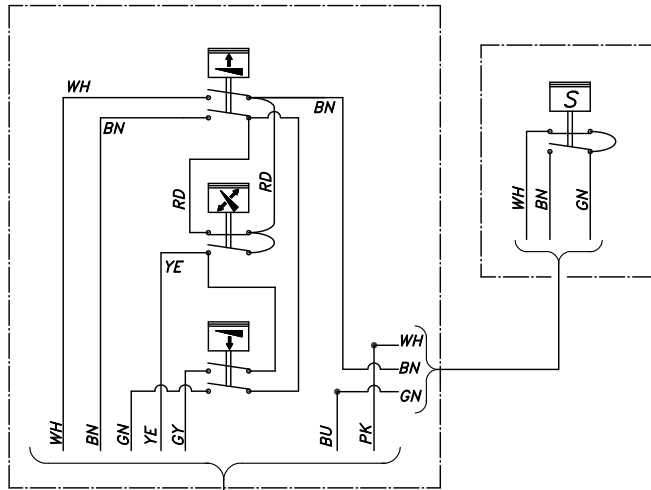
- 1=WH
- 2=BN
- 3=GN
- 4=YE
- 5=GY
- 6=PK
- 7=BU
- 8=RD
- 9=BK

EC = 24/12V
EXTRA CTRL.

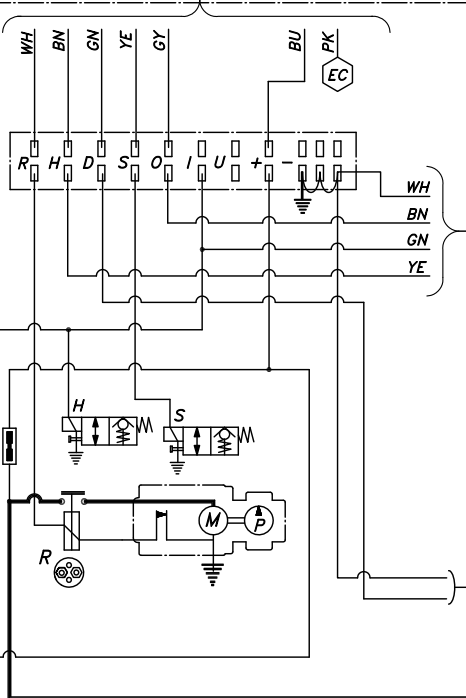
OAE031.Z



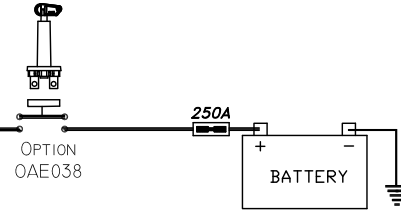
WH-> R
BN-> H -> TOE GUARD
GN-> D
YE-> S
GY-> O
PK-> + EXTRA CTRL.
BU-> + 12, 24V



7X1MM²

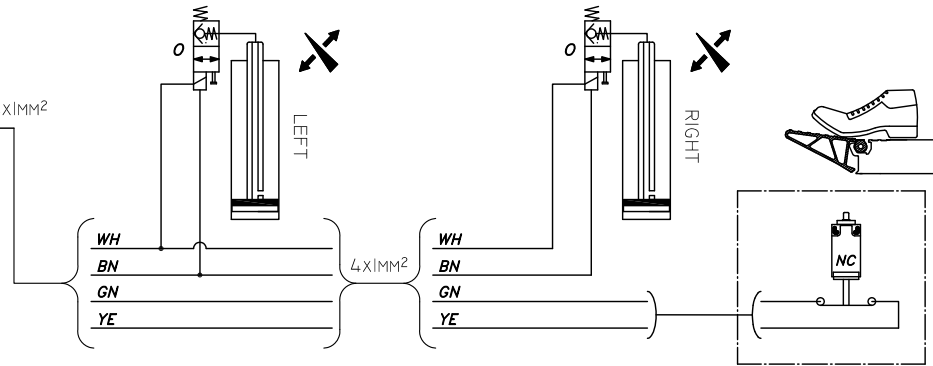


15A

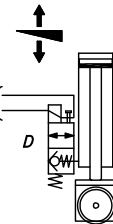


OPTION
OAE038

4X1MM²



4X1MM²



MECH - SA

		SA		R + H		R + S
		SA		D		O

DH-VXA.10 + OAE031.Z + OAE060 + OVE201.A

COLOUR CODES
DIN 47100

Type : Column lift type DH-VXA + foot controls + platform lights - 2013/...

Power pack : G-VS-01

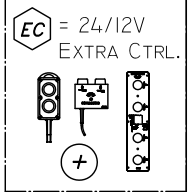
Valve : V012.E

Plan N° : Sch_VXA-MECH-SA-OAE031.Z-OAE060-2013-01

Date : 13/09/2013

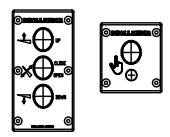
DHOLLANDIA

- 1=WH
- 2=BN
- 3=GN
- 4=YE
- 5=GY
- 6=PK
- 7=BU
- 8=RD
- 9=BK



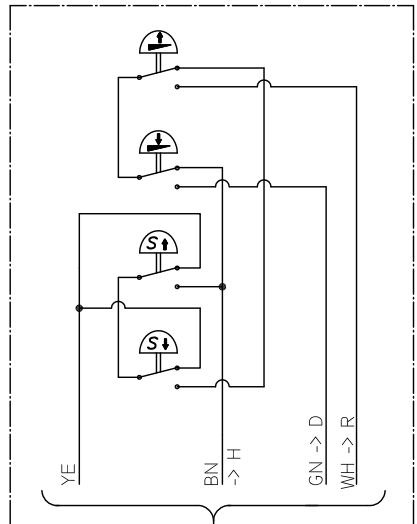
EXTERIOR CONTROL E0793.31.0.M

OAE031.Z

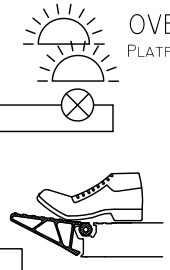


WH-> R
BN-> H -> TOE GUARD
GN-> D
YE-> S
GY-> O
PK-> + EXTRA CTRL.
BU-> + 12, 24V

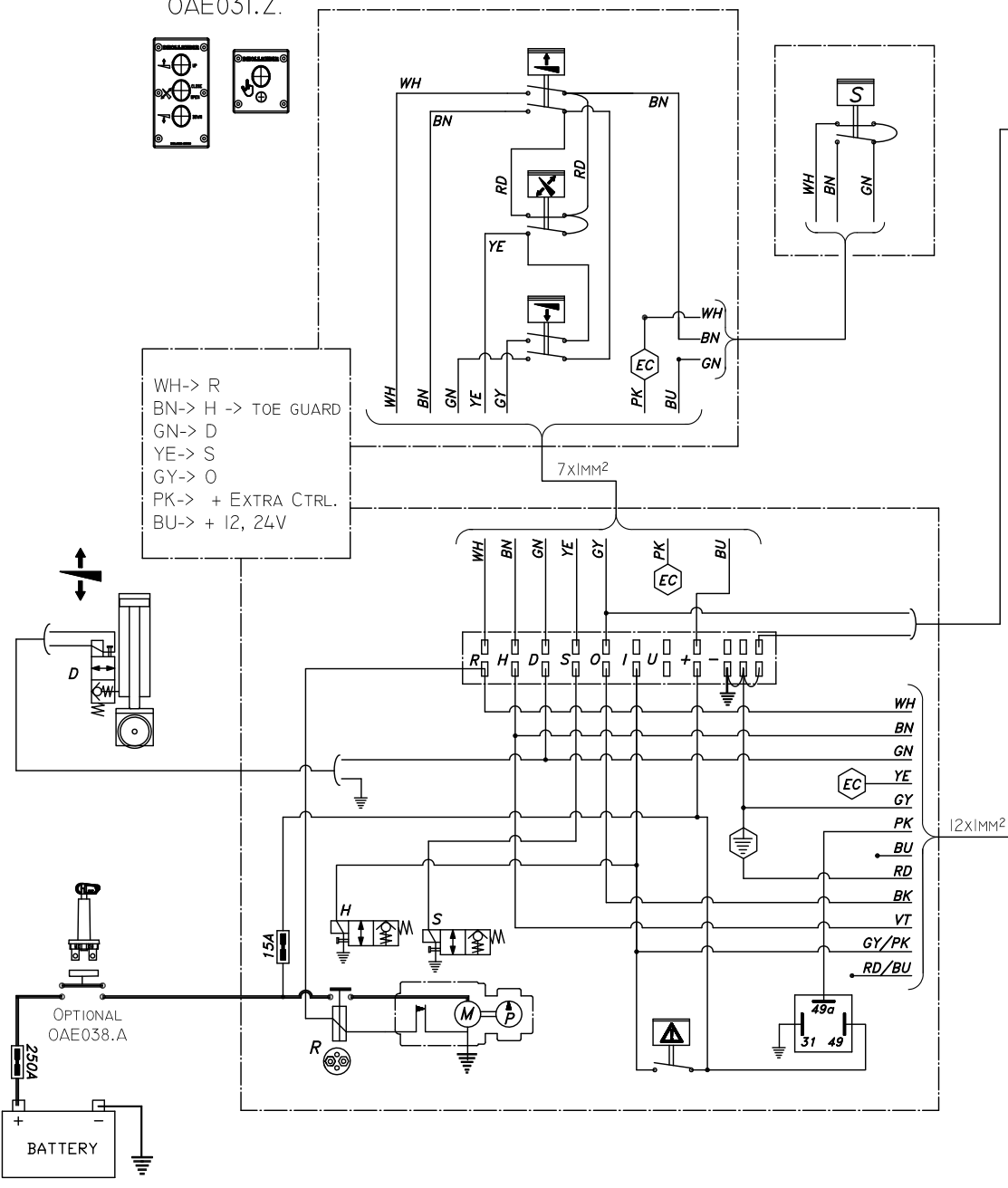
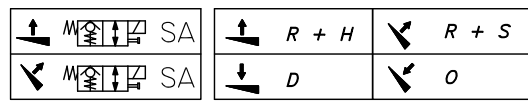
OAE060 FOOT CTRL.

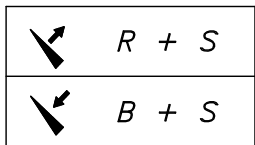
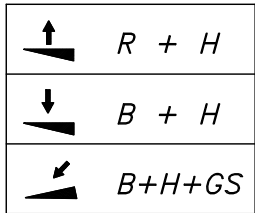
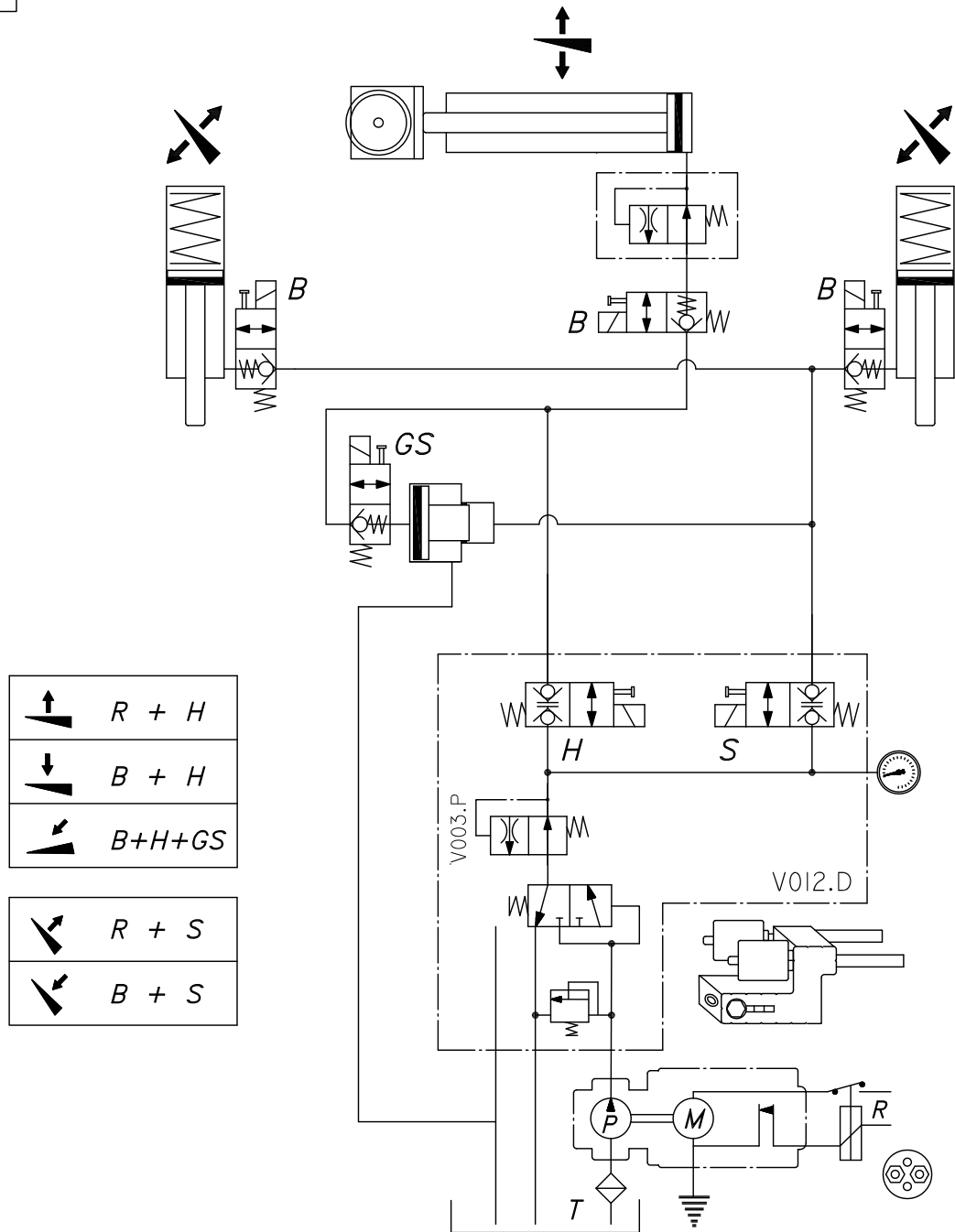


OVE201.A
PLATFORM LIGHTS



MECH - SA





DH-VOCZ + OVH008 (AUTO TILT)

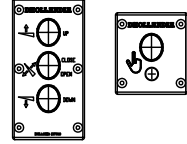
EXTERIOR CONTROL REF. E0793.31.0.001
[VOCZ]

COLOUR CODES
DIN 47100

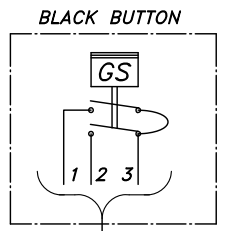
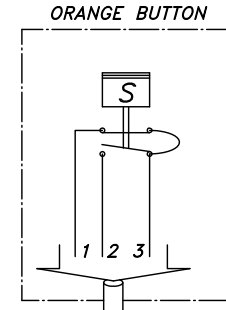
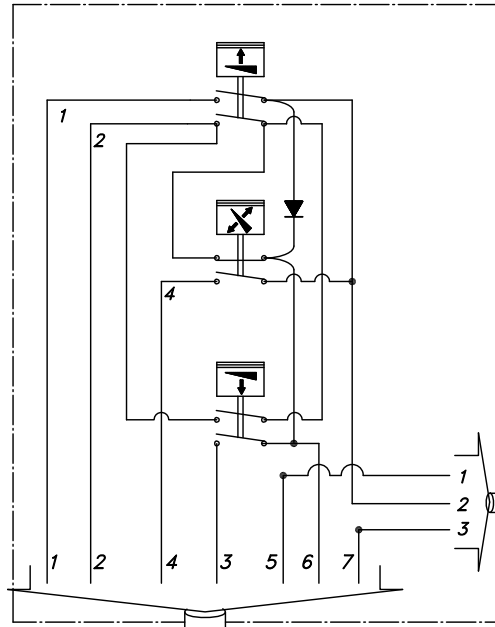
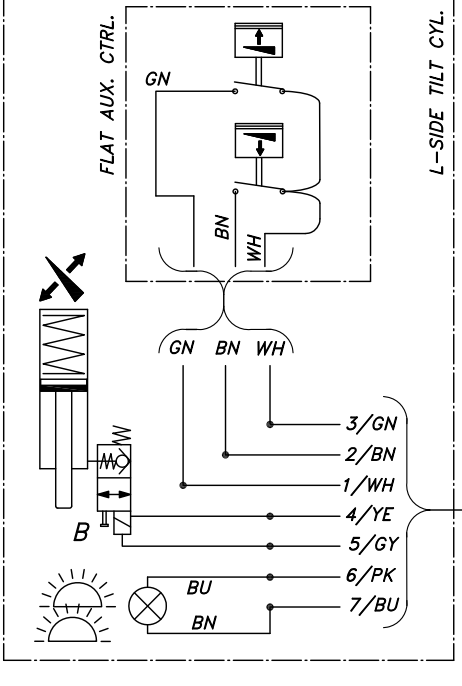
- 1=WH
- 2=BN
- 3=GN
- 4=YE
- 5=GY
- 6=PK
- 7=BU

- R + H
- B + H
- B+H+GS
- R + S
- B + S

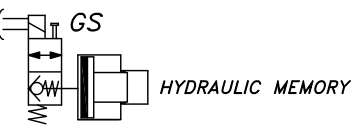
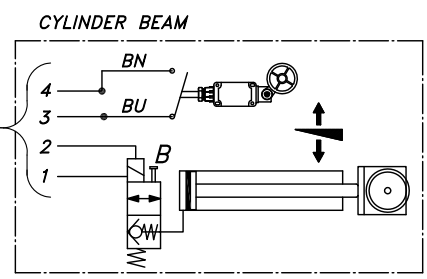
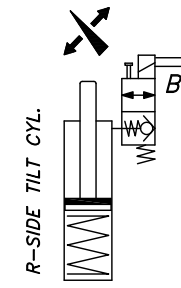
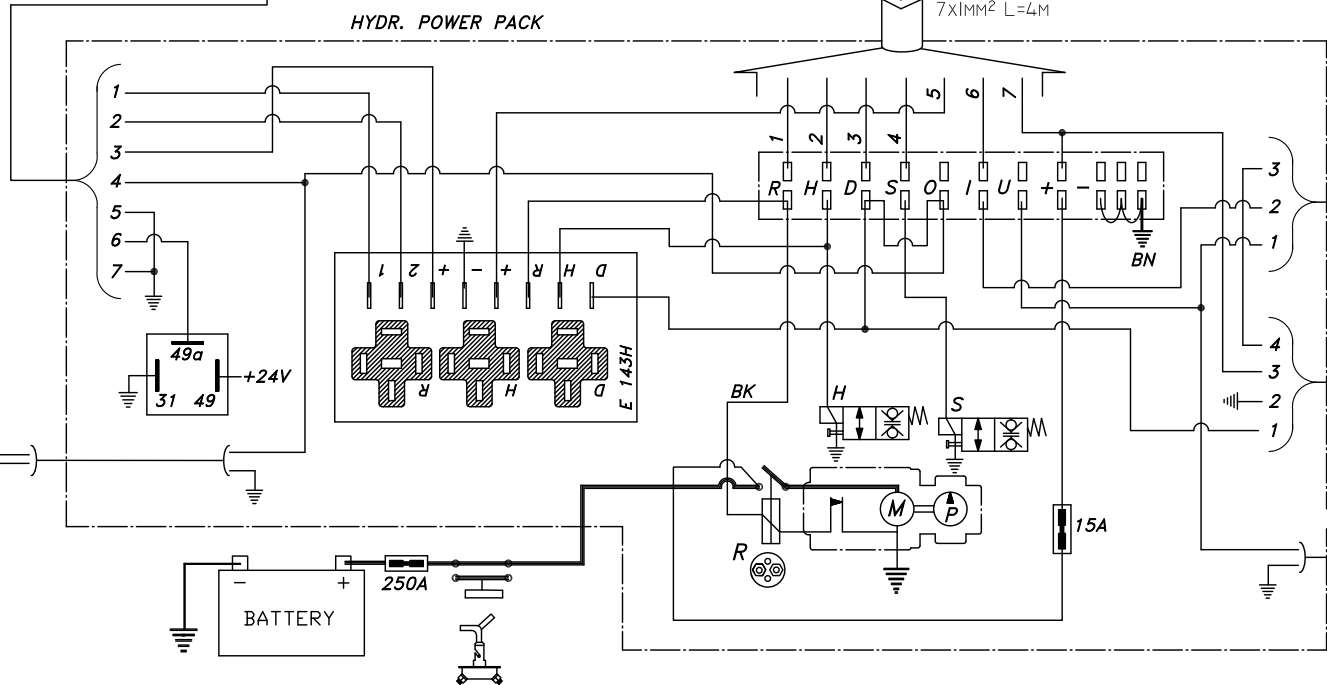
OAE031.Z



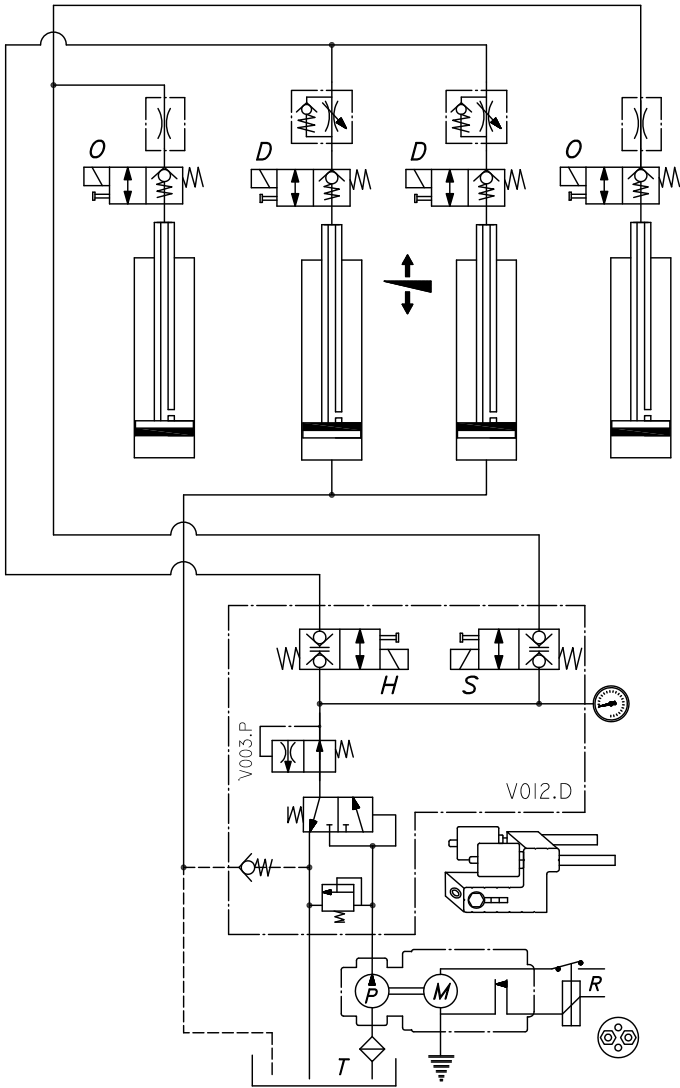
- 1 -> R
 - 2 -> H
 - 3 -> B
 - 4 -> S
 - 5 -> EXTR.CTRL.
 - 6 -> I
 - 7 -> +
- B = D + □



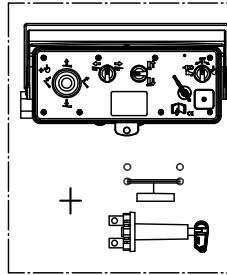
HYDR. POWER PACK



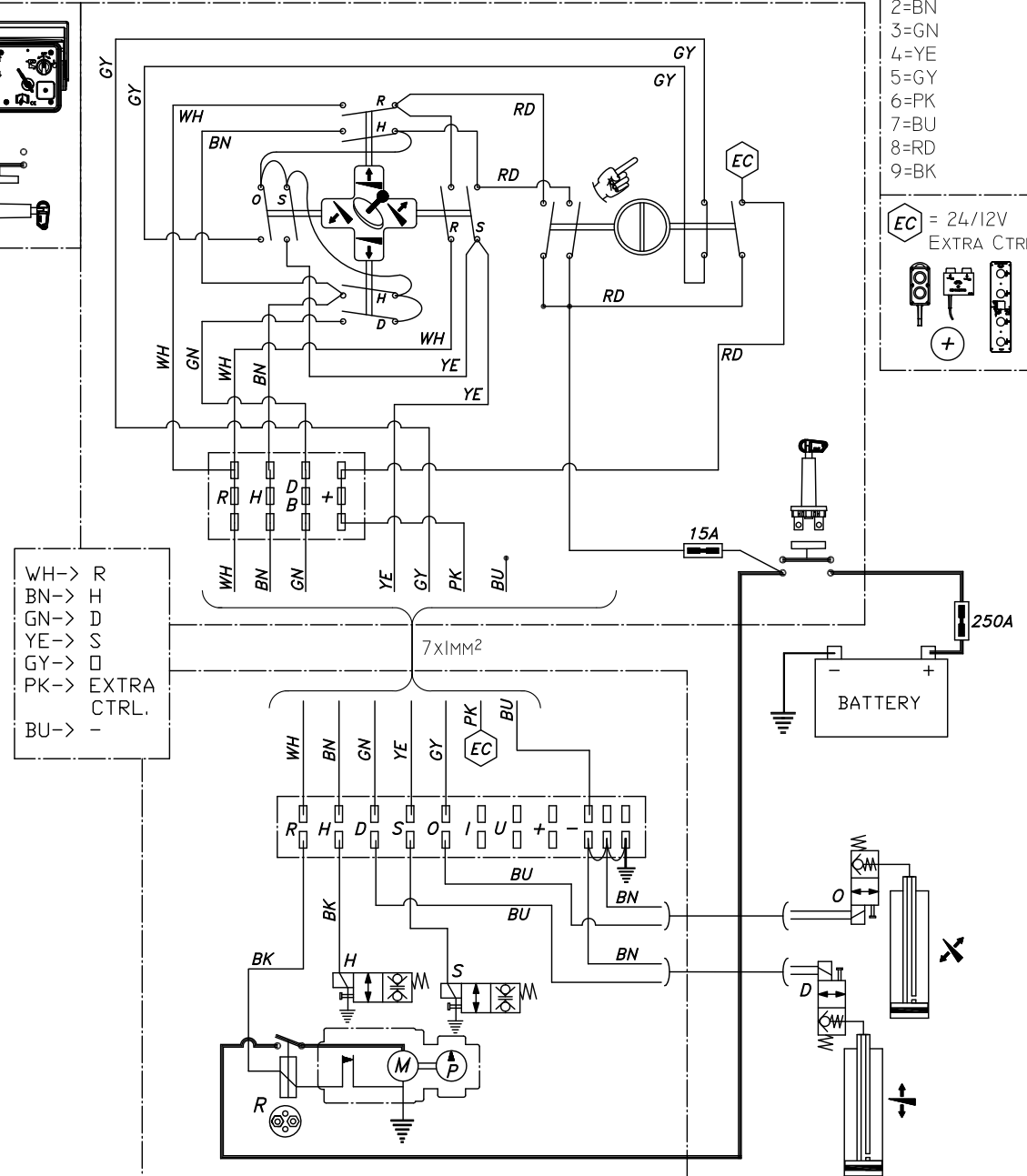
DH-VH.30.HI FULL HYDR. COLUMN LIFT



OAE030.BT



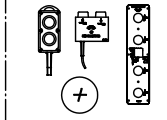
EXTERIOR CONTROL BOX REF. EDI02.T0 / EDI22.T0



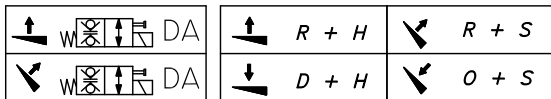
COLOUR CODES
DIN 47100

- 1=WH
- 2=BN
- 3=GN
- 4=YE
- 5=GY
- 6=PK
- 7=BU
- 8=RD
- 9=BK

EC = 24/12V
EXTRA CTRL.



MECH - DA



Type : Fully hydraulic column lift DH-VH.30.H1 - 2011/...

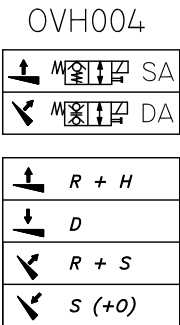
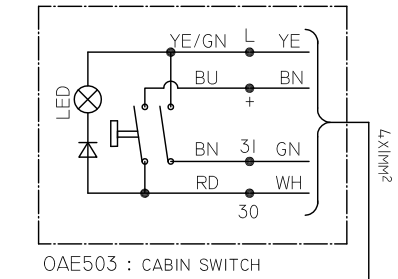
Power pack : G-LD-L(R)-01...06

Valve : V012.D

Plan N° : Sch_VH30H1-MECH.DA-OAE030.BT-2013-01

Date : 03/01/2014



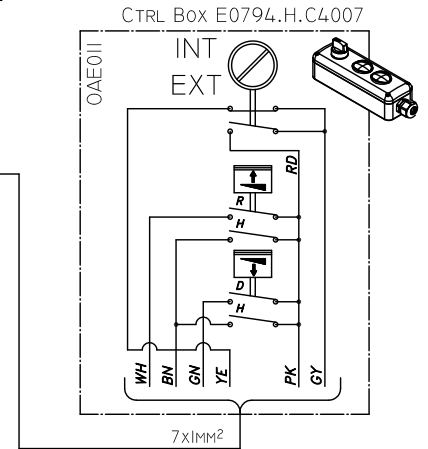
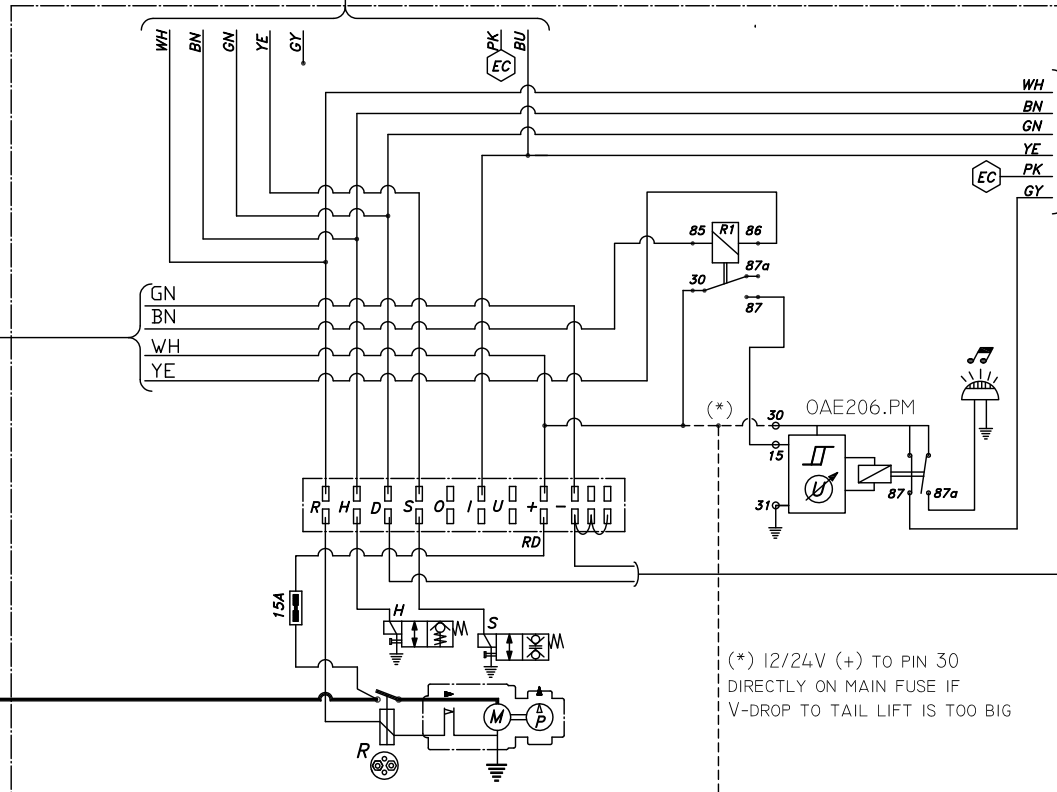
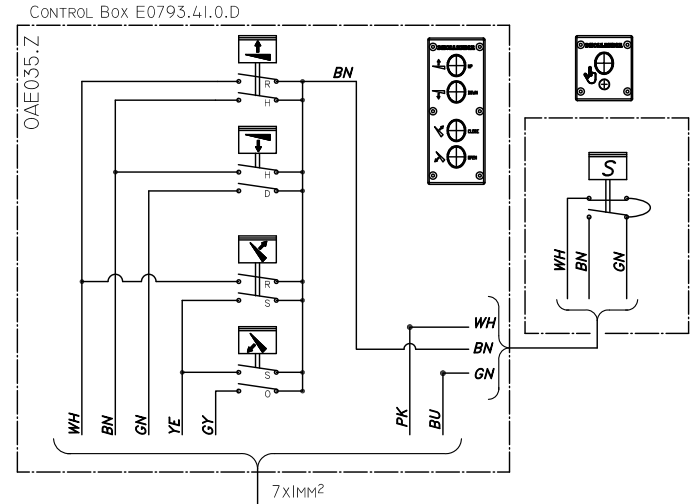
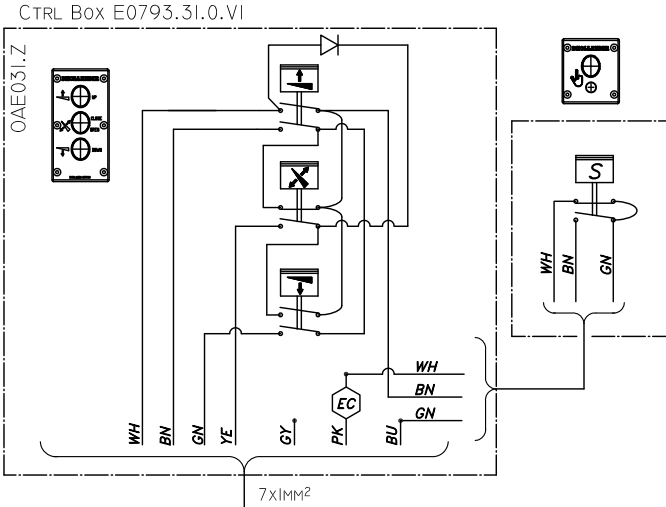


OAE500 (CANNON PLUG)
OR
OAE501.12 (IZM 4X1.5)

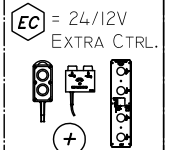
CONNECTION

POS.	CABLE N°
1	BN/2
2	GN/3
3	
4	
5	YE/4
6	WH/1
7	

OPTION
OAE038

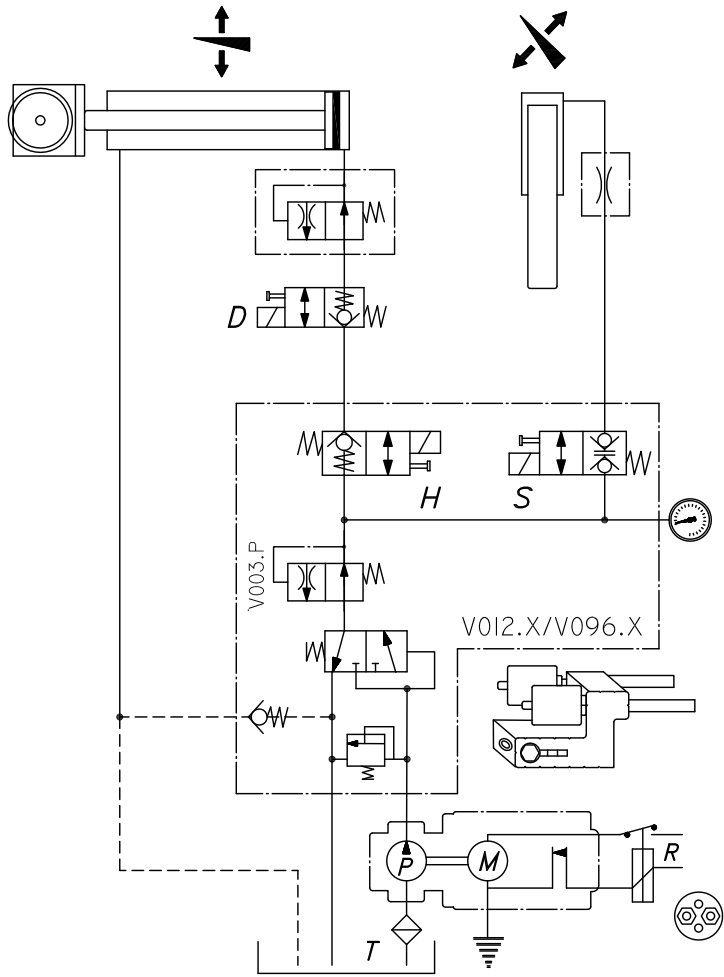


- COLOUR CODES
DIN 47100
- 1 = WH
 - 2 = BN
 - 3 = GN
 - 4 = YE
 - 5 = GY
 - 6 = PK
 - 7 = BU

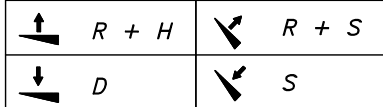
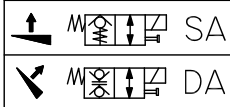


(*) 12/24V (+) TO PIN 30
DIRECTLY ON MAIN FUSE IF
V-DROP TO TAIL LIFT IS TOO BIG

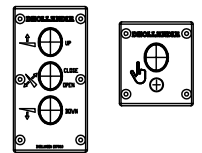
DH-VO.15.K1 / DH-VB.15.E1
 + OAE031.Z + OVH004 HYDR. CLOSURE



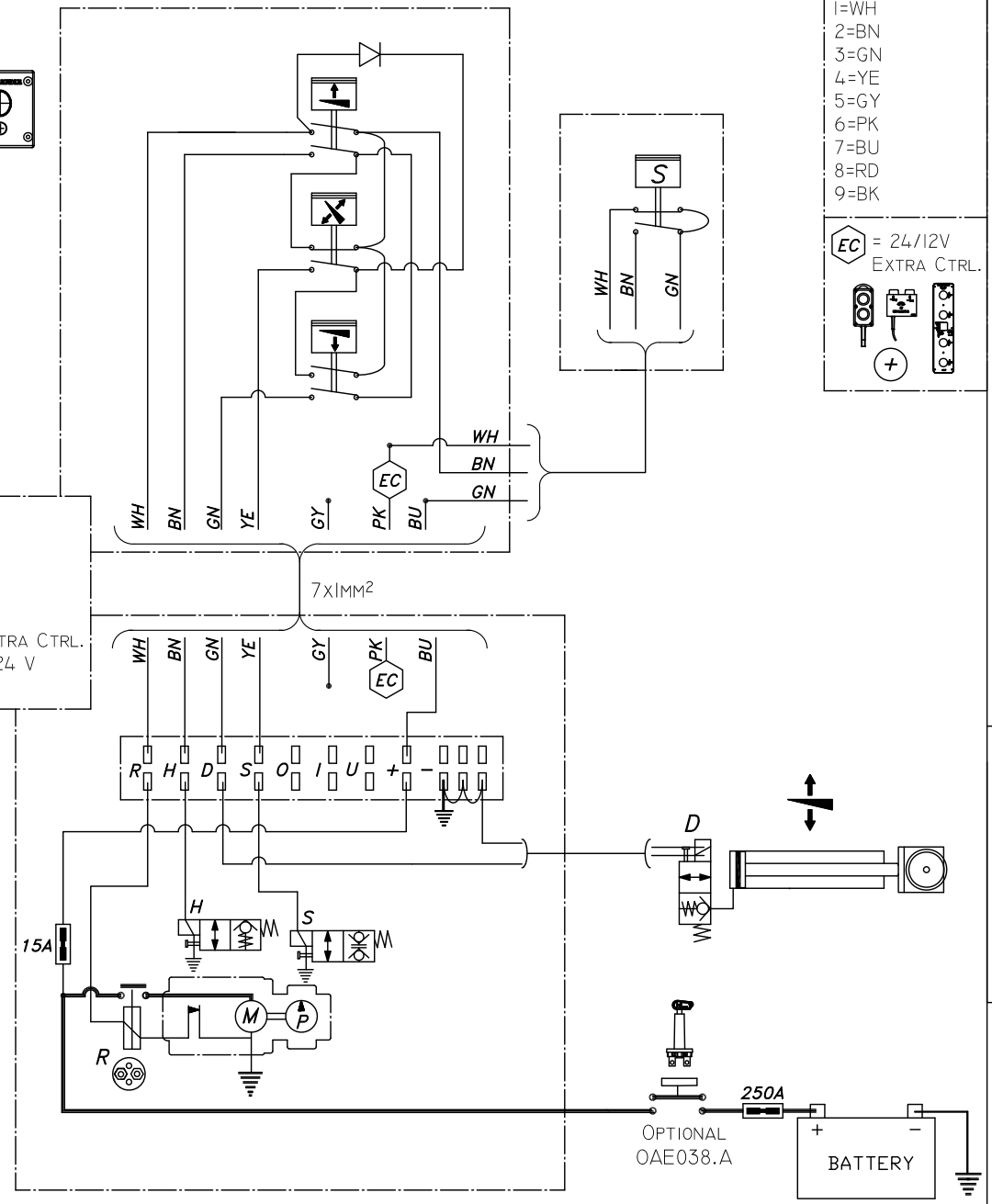
OVH004



EXTERIOR CONTROL BOX REF. E0793.31.0.V

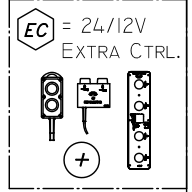


WH-> R
 BN-> H
 GN-> D
 YE-> S
 GY->
 PK-> + EXTRA CTRL.
 BU-> + 12/24 V



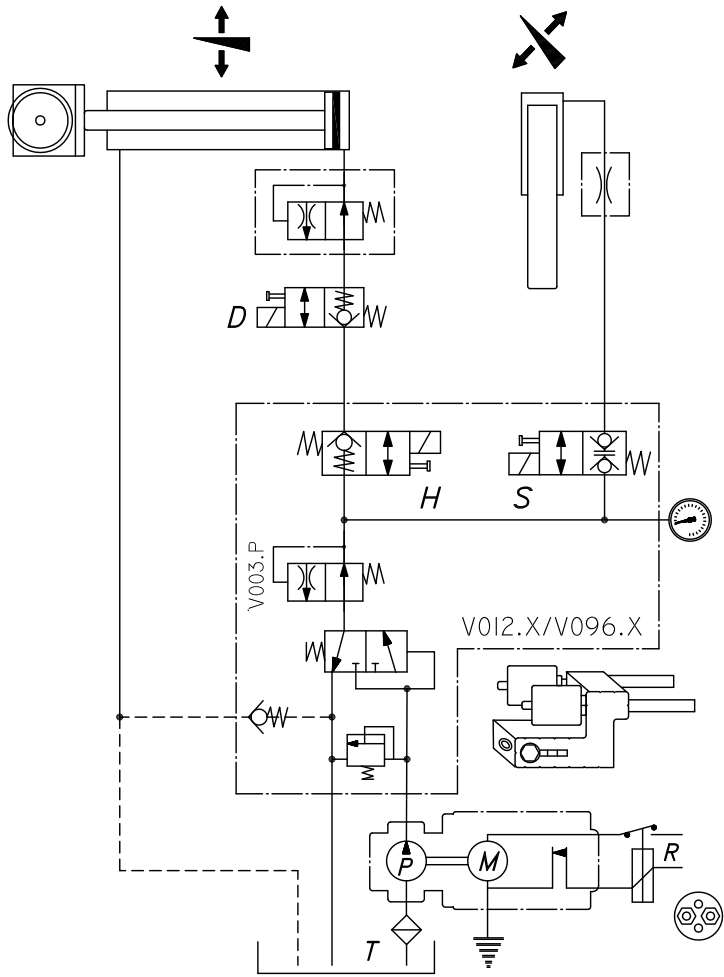
COLOUR CODES
 DIN 47100

- 1=WH
- 2=BN
- 3=GN
- 4=YE
- 5=GY
- 6=PK
- 7=BU
- 8=RD
- 9=BK



Type : Column lifts DH-VO.15.K1 or DH-VB-15.K1 with OVH004 hydrraul. closure
 Power pack : Valve : V012.X / V096.X
 Plan N° : Sch_V015K1-OVH004-OAE031.Z-2013-01
 Date : 02/01/2014
 DHOLLANDIA

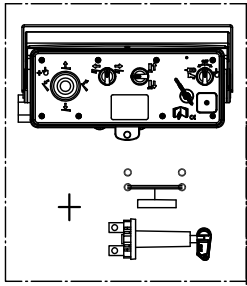
DH-VO.15.K1 / DH-VB.15.E1
+ OVH004 HYDR. CLOSURE



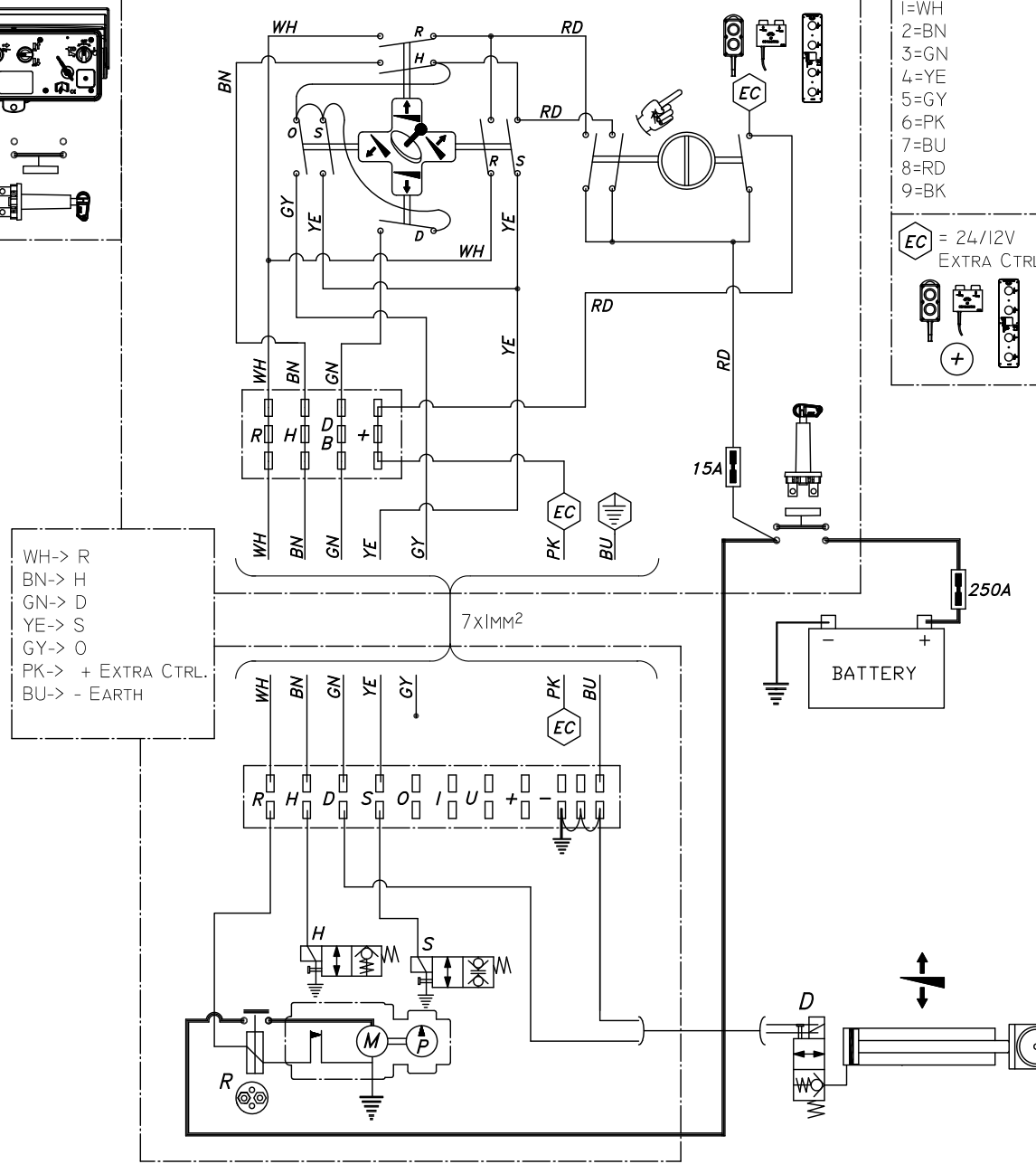
MECH-X ~ OVH004

		SA		R + H		R + S
		DA		D		S (+O)

OAE030.BT



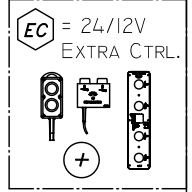
EXTERIOR CONTROL BOX REF. EDI03.T0 / EDI23.T0



WH-> R
BN-> H
GN-> D
YE-> S
GY-> O
PK-> + EXTRA CTRL.
BU-> - EARTH

COLOUR CODES
DIN 47100

- 1=WH
- 2=BN
- 3=GN
- 4=YE
- 5=GY
- 6=PK
- 7=BU
- 8=RD
- 9=BK



Type : Column lifts DH-VO.15.K1 or DH-VB-15.K1 with OVH004 hydrual. closure

Power pack : Valve : V012.X / V096.X

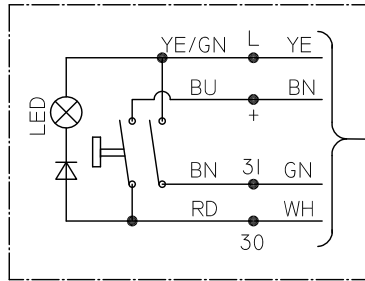
Plan N° : Sch_V015K1-OVH004-OAE030.BT-2013-01

Date : 05/09/2013

DEHOLLANDIA



- (1) STANDARD CONFIG: PIN 30 LINKED OF OAE206 LINKED TO PIN 30 OF RELAY OF OAE503
- (2) IF V-DROP FROM BATTERIES IS TOO BIG, PIN 30 (OAE206) NEEDS TO BE CONNECTED WITH SEPARATE CABLE TO MAIN BATTERY FUSE



OAE503 : CABIN SWITCH

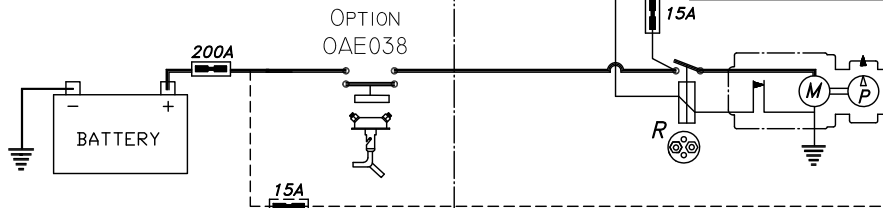
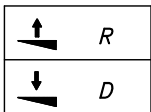
CONNECTION

POS.	CABLE N°
1	BN/2
2	GN/3
3	
4	
5	
6	YE/4
7	WH/1

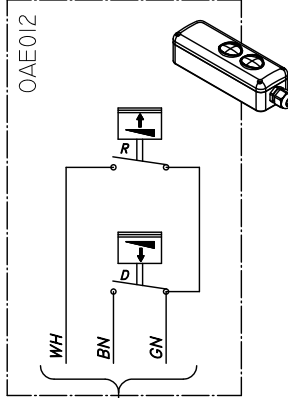
OAE500 (CANNON PLUG)
or OAE501.12 (12M 4x1,5)



MECH-J
(NO VALVES
IN THE POWER PACK)

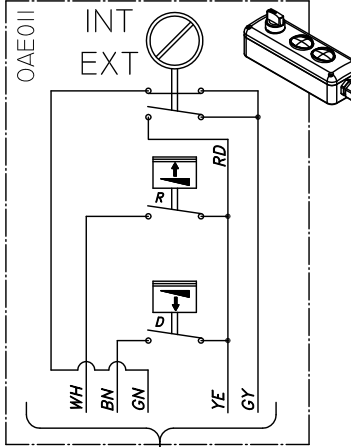


CONTROL Box E0797.J



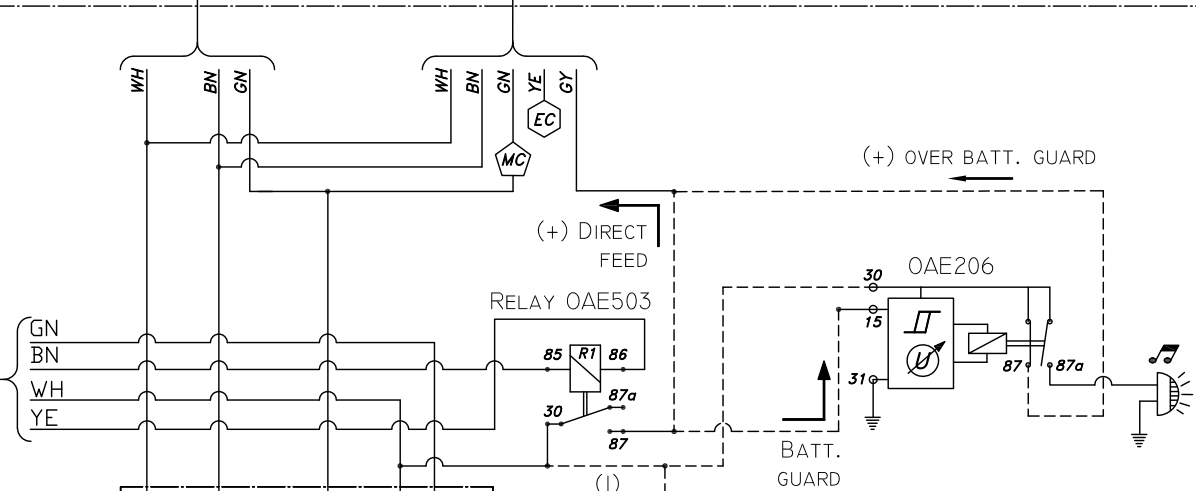
3x1mm²

CONTROL Box E0794.J.C4005



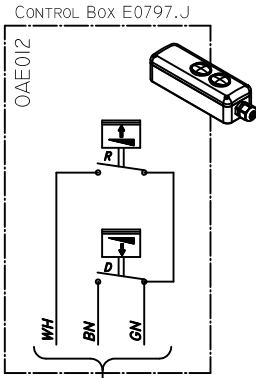
5x1mm²

= 24/12V EXTRA CTRL.	COLOUR CODES DIN 47100
= 24/12V MAIN CTRL.	1 = WH 2 = BN 3 = GN 4 = YE 5 = GY 6 = PK 7 = BU

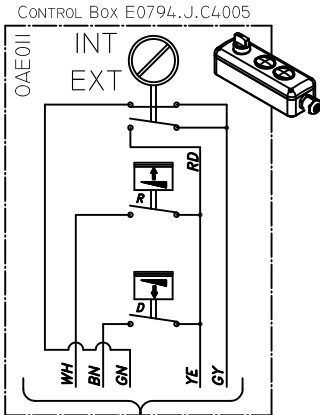


DH-VO.15.K1 OPTIONAL CONTROLS OAE010 - OAE011 - OAE012 - OAE031.Z

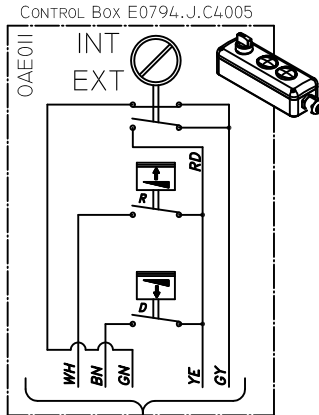
EXT. CTRL



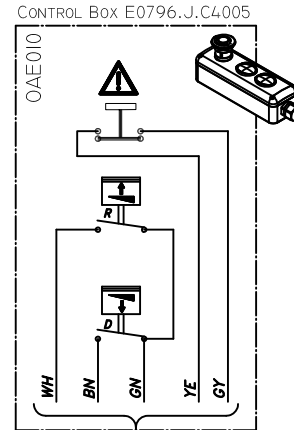
INT. CTRL



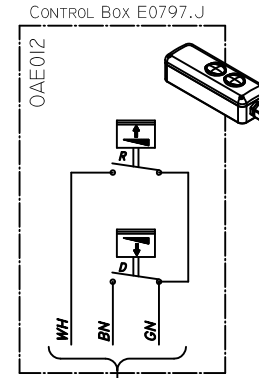
INT. CTRL



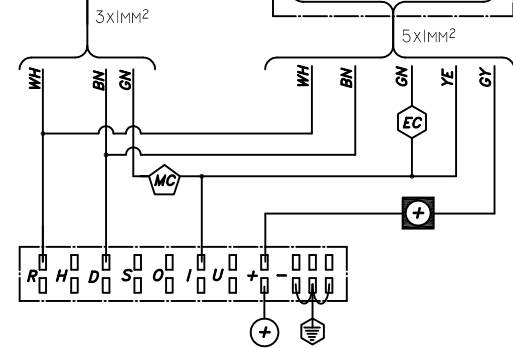
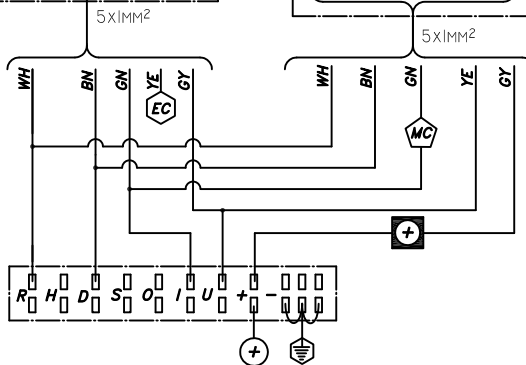
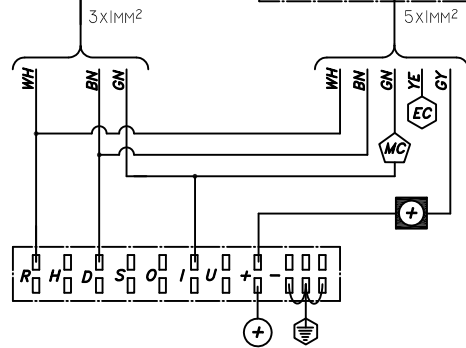
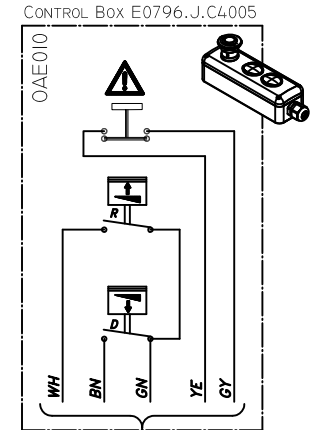
EXT. CTRL



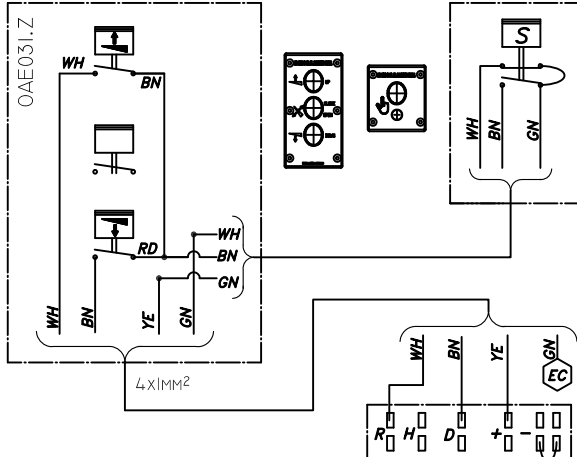
INT. CTRL



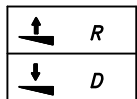
EXT. CTRL



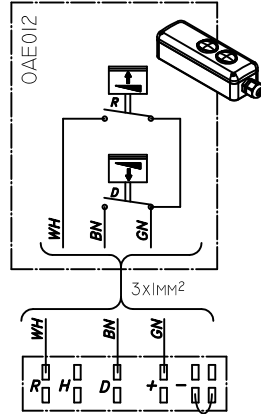
CONTROL BOX E0793.21.0.J



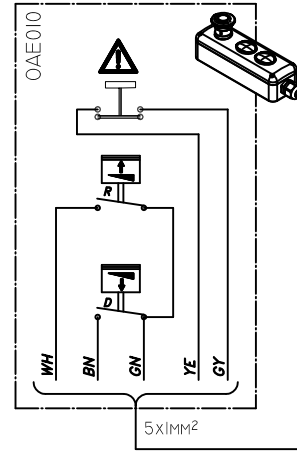
MECH-J
(NO VALVES
IN THE POWER PACK)



CONTROL BOX E0797.J



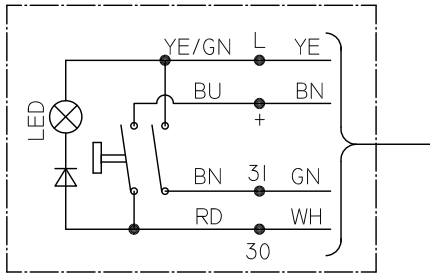
CONTROL BOX E0796.J.C4.005



	= 24/12V EXTRA CTRL.	COLOUR CODES DIN 47100
	= 24/12V MAIN CTRL.	
		1 = WH
		2 = BN
		3 = GN
		4 = YE
		5 = GY
		6 = PK
		7 = BU

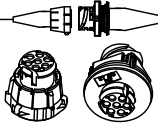
- = POWER CONNECTION:
- * DIRECT(+)
- * DASH BOARD SWITCH OAE503
- * BATTERY GUARD OAE206
- * COMBINATION
- * ...

DH-VO.15.K1 OPTIONAL CONTROLS OAE010 - OAE011 - OAE012 - OAE031.Z



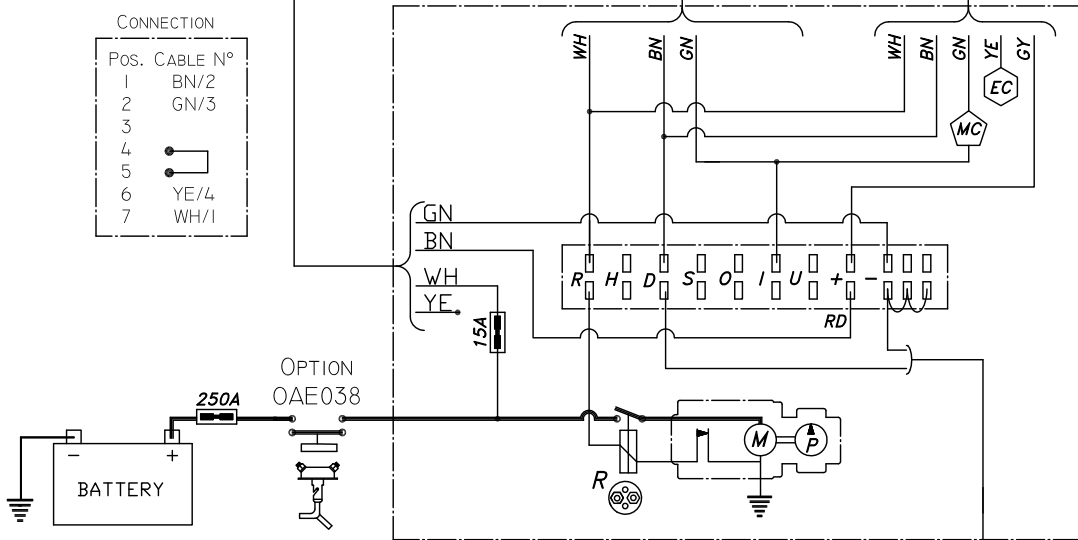
OAE503 CABIN SWITCH

OAE500 (CANNON PLUG)
OR OAE501.I2 (I2M 4x1,5)

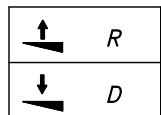


CONNECTION

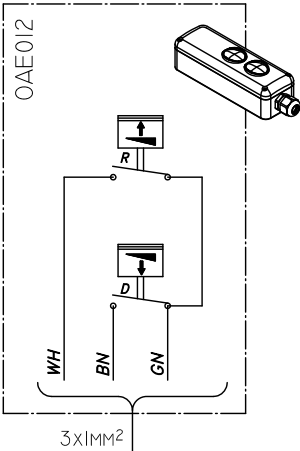
Pos.	CABLE N°
1	BN/2
2	GN/3
3	
4	
5	
6	YE/4
7	WH/1



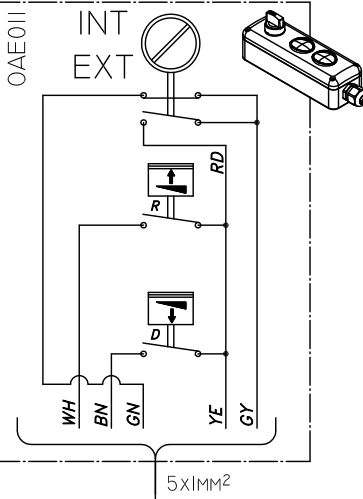
MECH-J
(NO VALVES
IN THE POWER PACK)



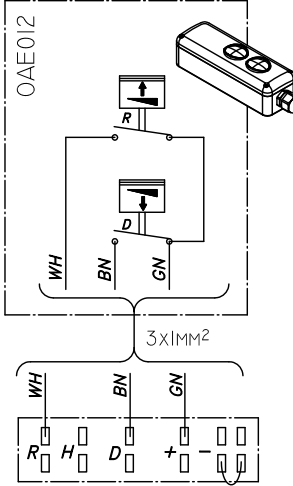
CONTROL Box E0797.J



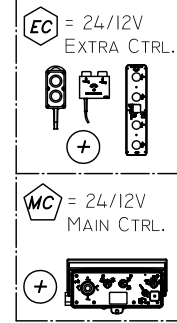
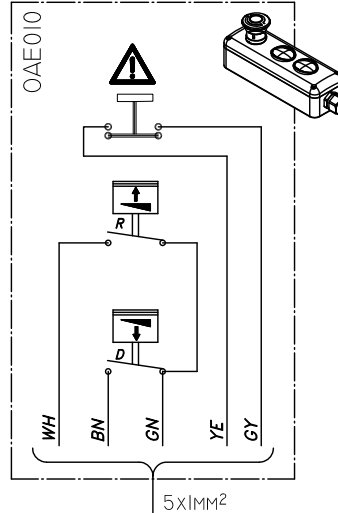
CONTROL Box E0794.J.C4005



CONTROL Box E0797.J

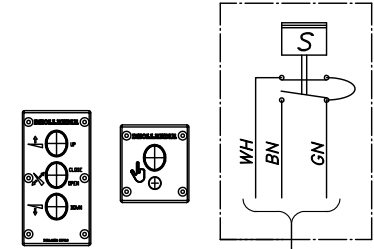


CONTROL Box E0796.J.C4005

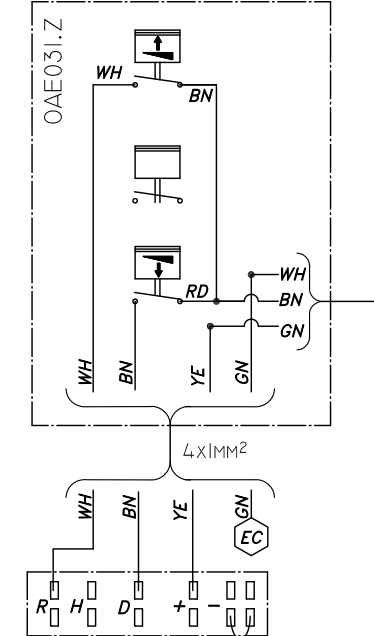


COLOUR CODES
DIN 47100

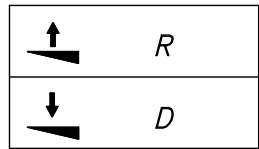
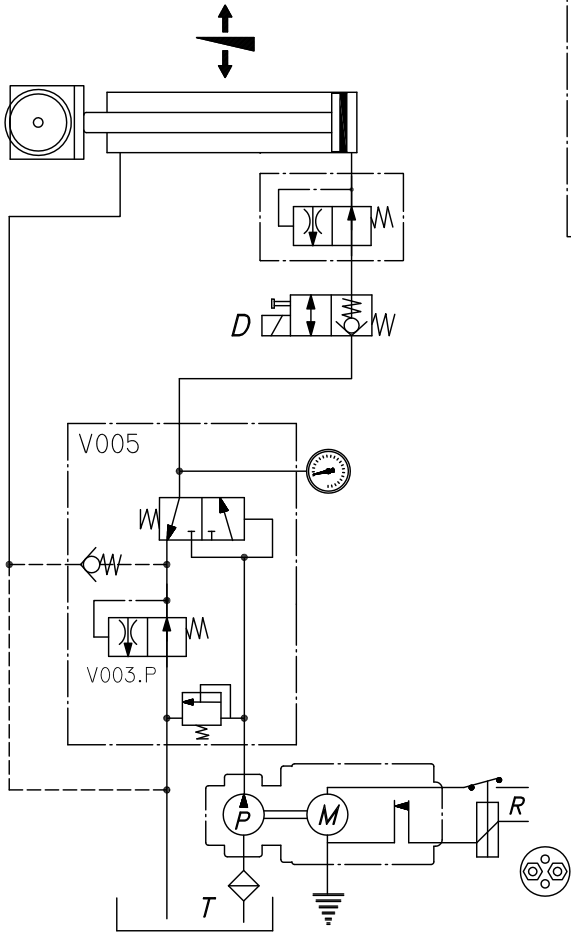
- 1 = WH
- 2 = BN
- 3 = GN
- 4 = YE
- 5 = GY
- 6 = PK
- 7 = BU



CONTROL Box E0793.21.0..J

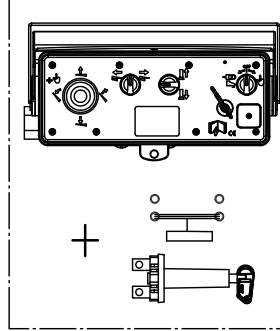


DH-VO.15.K1 / VB.15.EI
+ MANUAL CLOSURE

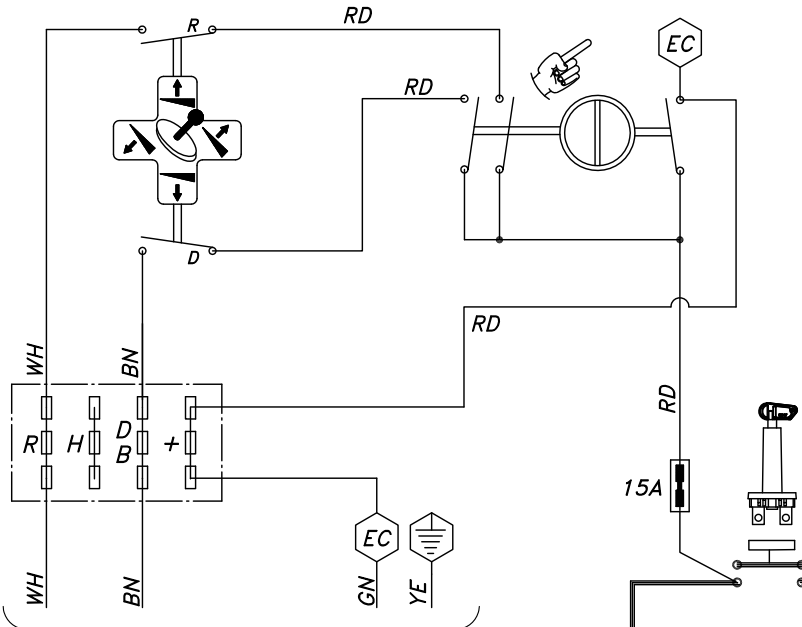


MECH-J
(NO VALVES
IN THE POWER PACK)

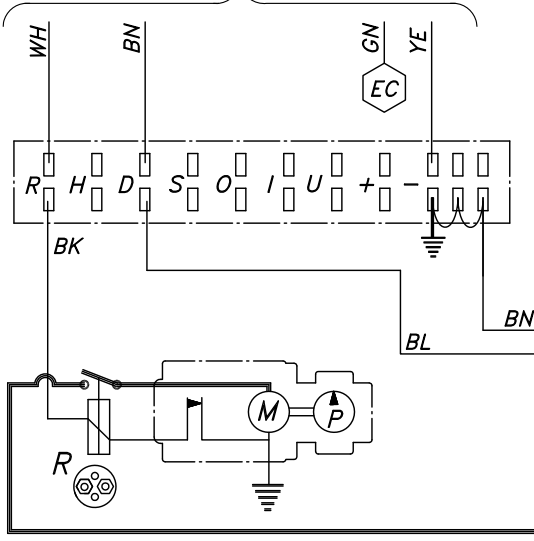
OAE030.BT



EXTERIOR CONTROL BOX REF. EDI40.T0



WH-> R
BN-> D
GN-> + EXTRA CTRL.
YE-> - EARTH



COLOUR CODES
DIN 47100

- 1=WH
- 2=BN
- 3=GN
- 4=YE
- 5=GY

