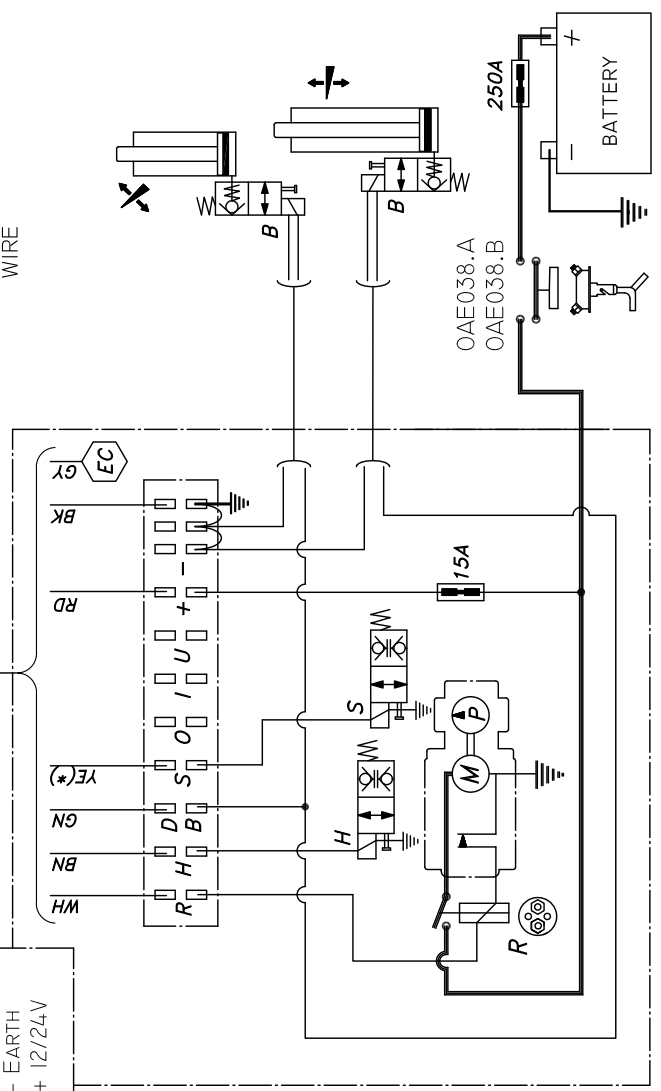
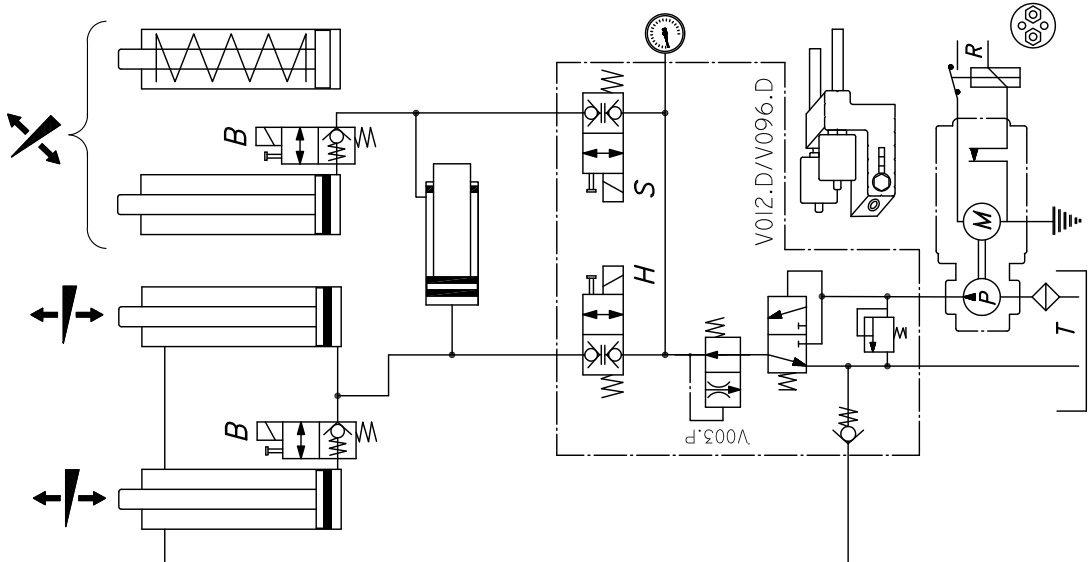


(* PK USED INSTEAD OF YE IN CABLES WHICH HAVE NO YE WIRE

WH-> R
BN-> H
GN-> B [B=D+0]
YE (*)-> S
GY-> +12/24V EXTRA CTRL
BK-> - EARTH
RD-> + 12/24V



DH-LSP.05



HYDR.

	DA		R + H		R + S
	DA		B + H		B + S