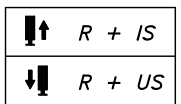
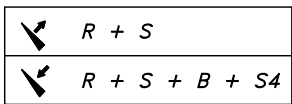
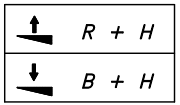
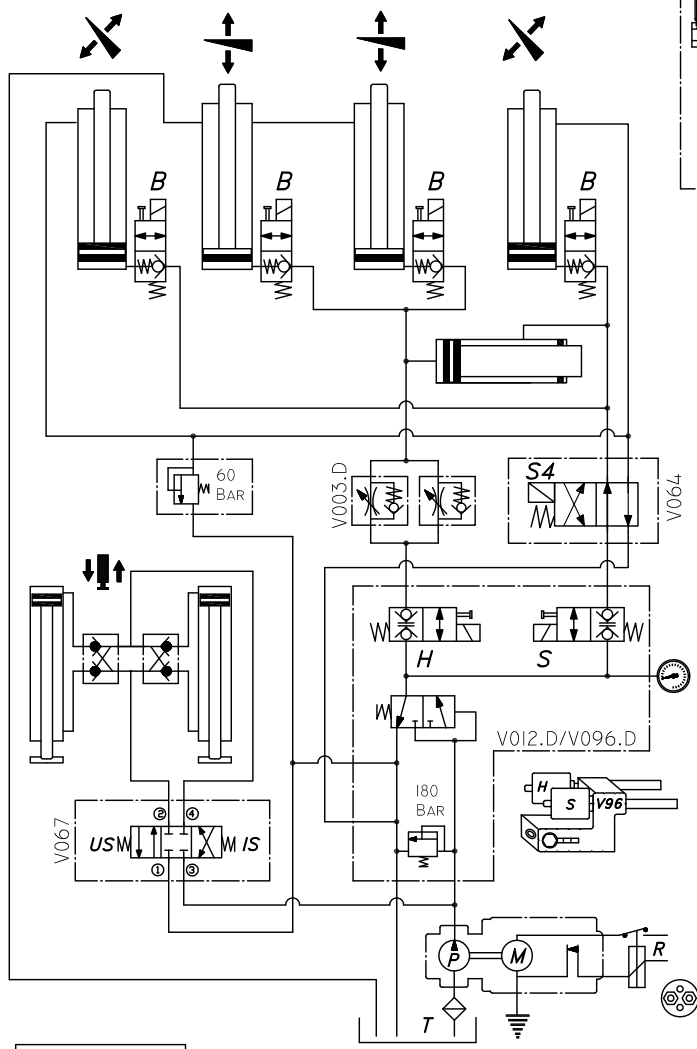
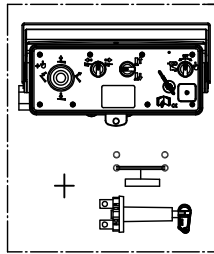


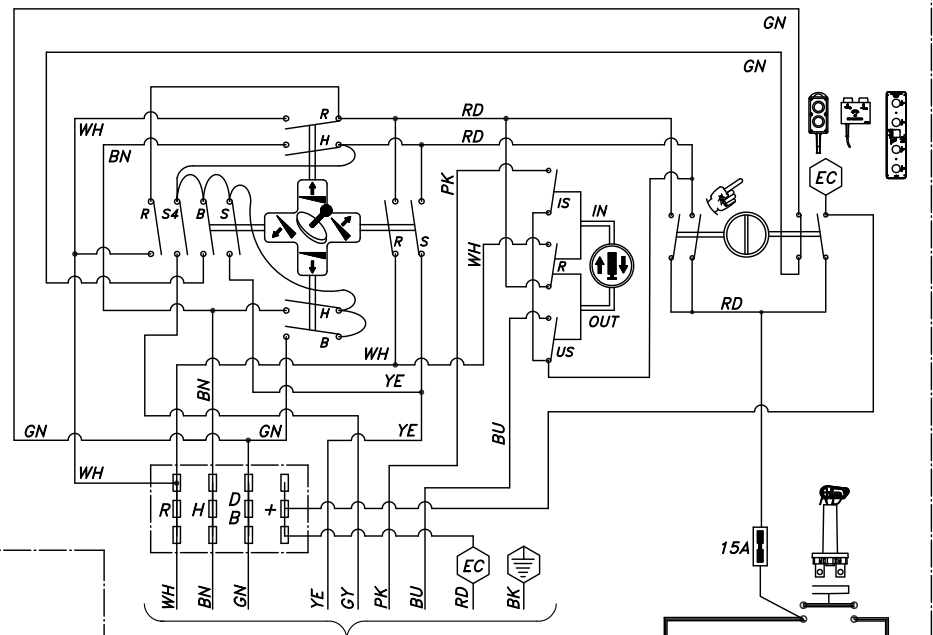
DH-LSU.90 + STAB. LEGS



OAE030.BT

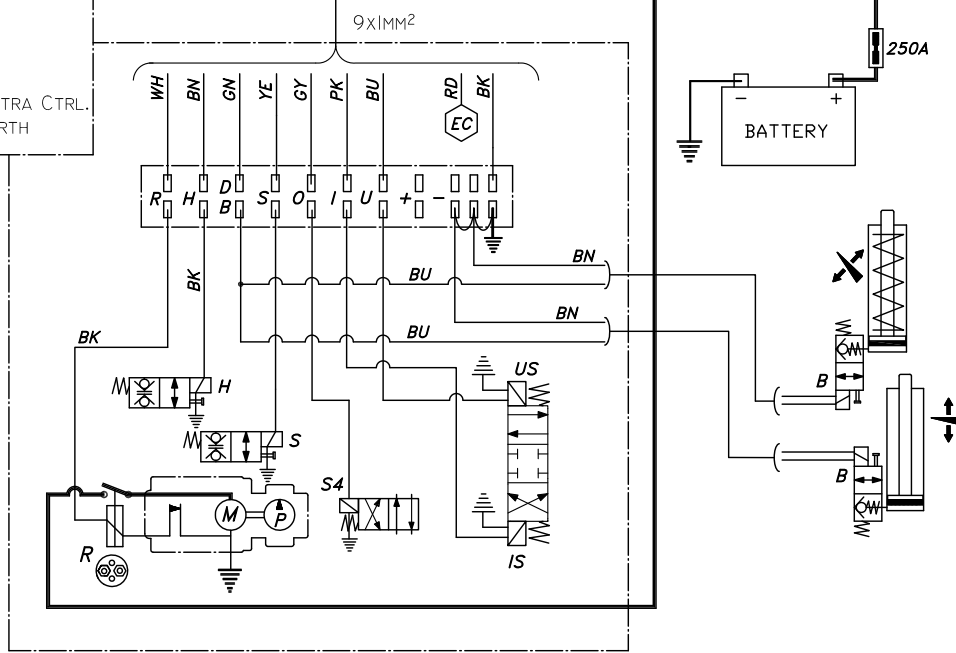


EXTERIOR CONTROL BOX REF. EDI88.TO



WH -> R  
 BN -> H  
 GN -> D  
 YE -> S  
 GY -> O  
 PK -> I  
 BU -> U  
 RD -> + EXTRA CTRL.  
 BK -> - EARTH

POWER PACK G.S.U.L.-II



COLOUR CODES  
 DIN 47100

1=WH  
 2=BN  
 3=GN  
 4=YE  
 5=GY  
 6=PK  
 7=BU  
 8=RD  
 9=BK

EC = 24/12V  
 EXTRA CTRL.

Type : STANDARD LIFT DH-LSU90 (OMM + E2007) + STABILISING LEGS - 2010/..

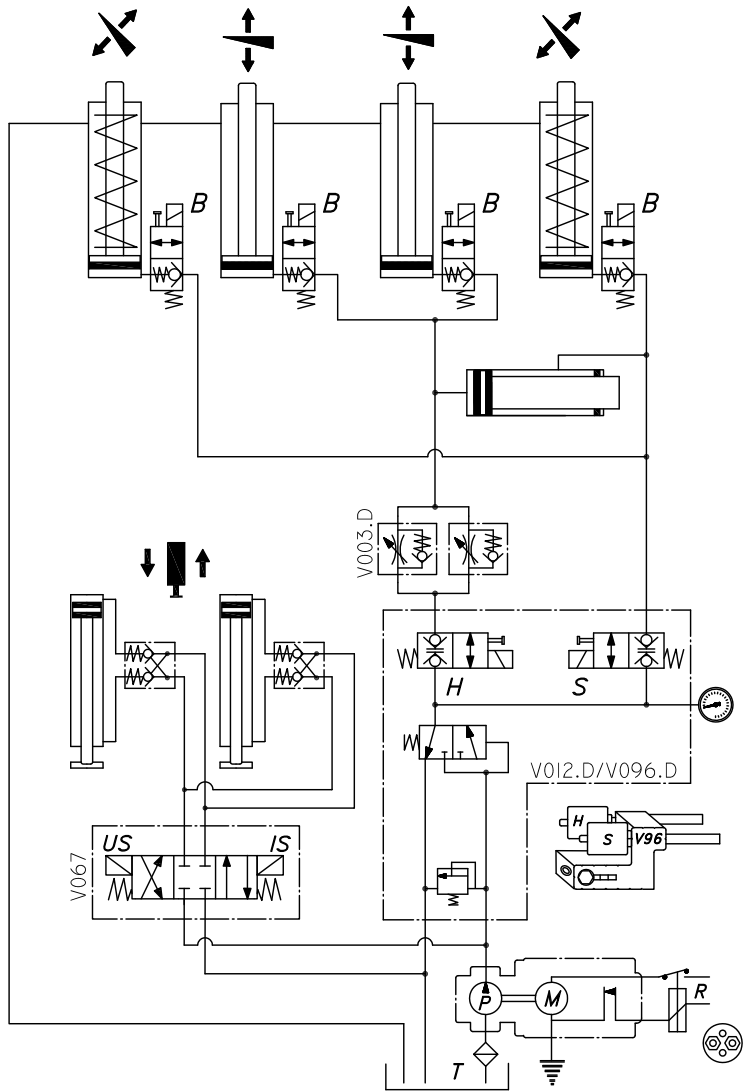
Power pack : G.S.U.L.11

Valve : V012.D + V064 + V067

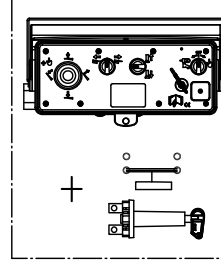
Plan N° : Sch\_LSU90 ST-HYD-OAE030.BT-2013-01

Date : 08/08/2013

DHOLLANDIA



HYDR.

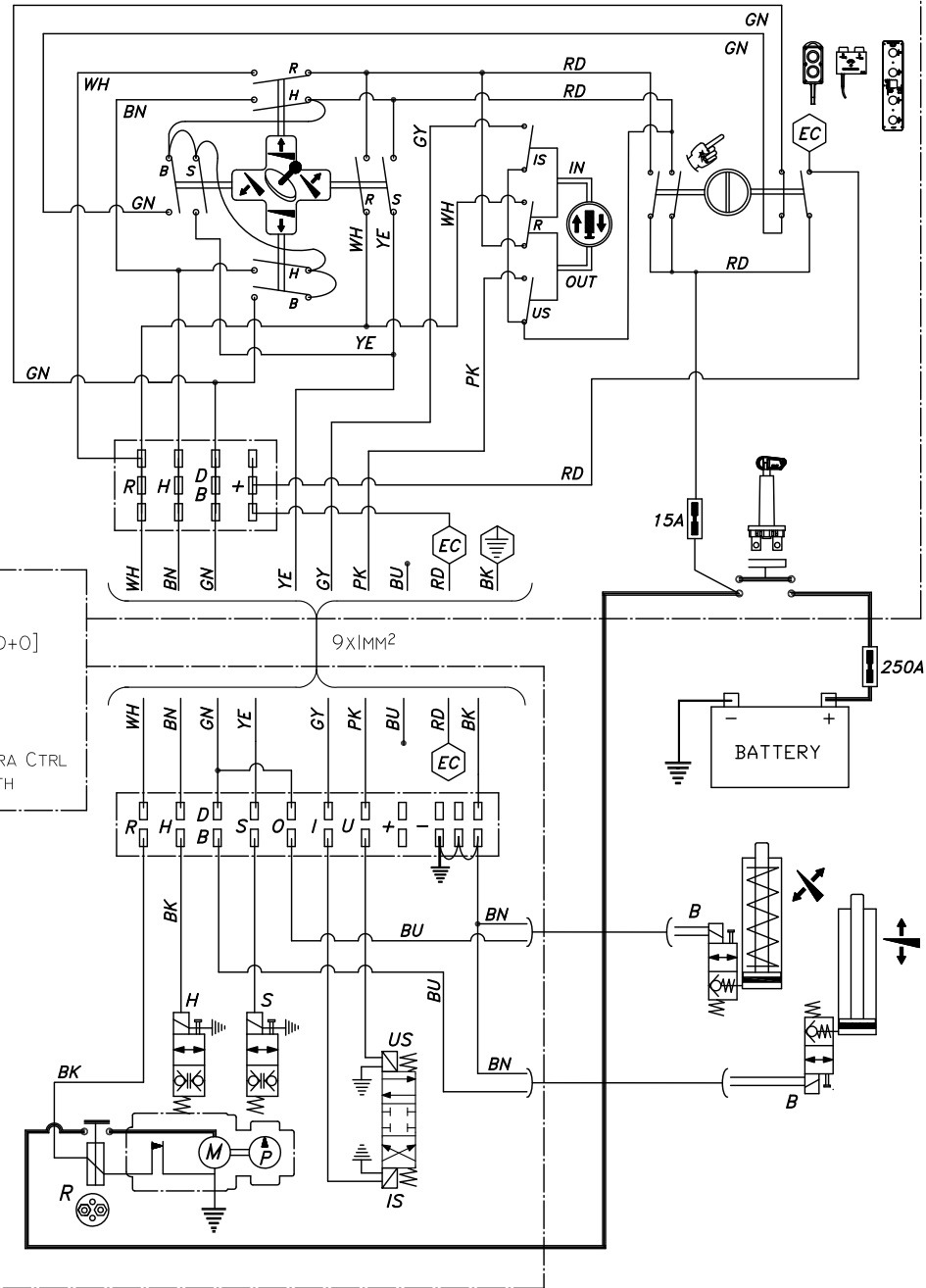



WH-> R  
 BN-> H  
 GN-> B [B=D+O]  
 YE-> S  
 GY-> IS  
 PK-> US  
 BU-> +  
 RD-> + EXTRA CTRL  
 BK-> - EARTH

COLOUR CODES  
 DIN 47100

1=WH  
 2=BN  
 3=GN  
 4=YE  
 5=GY  
 6=PK  
 7=BU  
 8=RD  
 9=BK

= 24/12V  
 EXTRA CTRL.



Type : STANDARD LIFT DH-LSU60 (HYDR. + 2007) + Stabilising legs - 2010/...

Power pack : G.SU.L.01

Valve : V012.D / V096.D + V067

Plan N° : Sch\_LSU60 ST-HYD-V067-OAE030.BT-2013-01

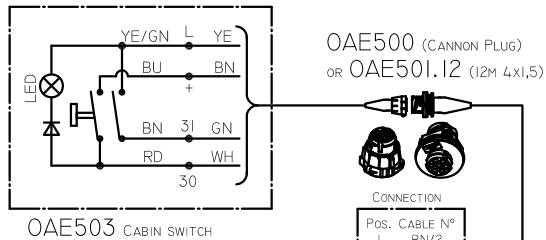
Date : 08/08/2013



DH-LV / DH-LSU + OAH026 [OMM4] + OAE031.Z + OAE500 + OAE502

Type : DH-LV + OPEN with MOTOR OAH026 [OMM4] + OAE031.Z - 2013/...  
 Power pack : -  
 Valve : V012.D + V064 + V067  
 Plan N° : Sch\_LV-OMM4-OAE031.Z-2013-02  
 Date : 09/08/2013

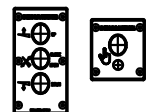
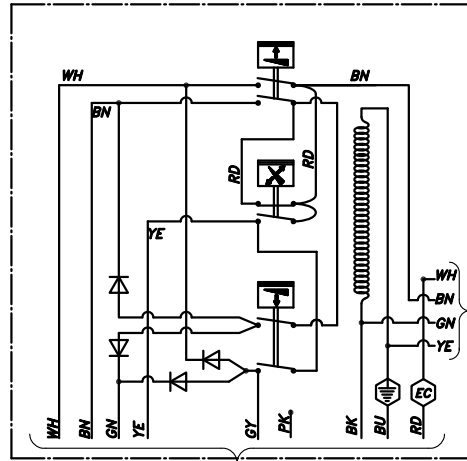
DEHOLLANDIA



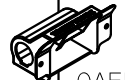
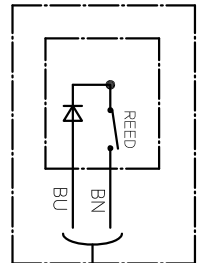
CONNECTION

POS.	CABLE N°
1	BN/2
2	GN/3
3	
4	
5	
6	YE/4
7	WH/1

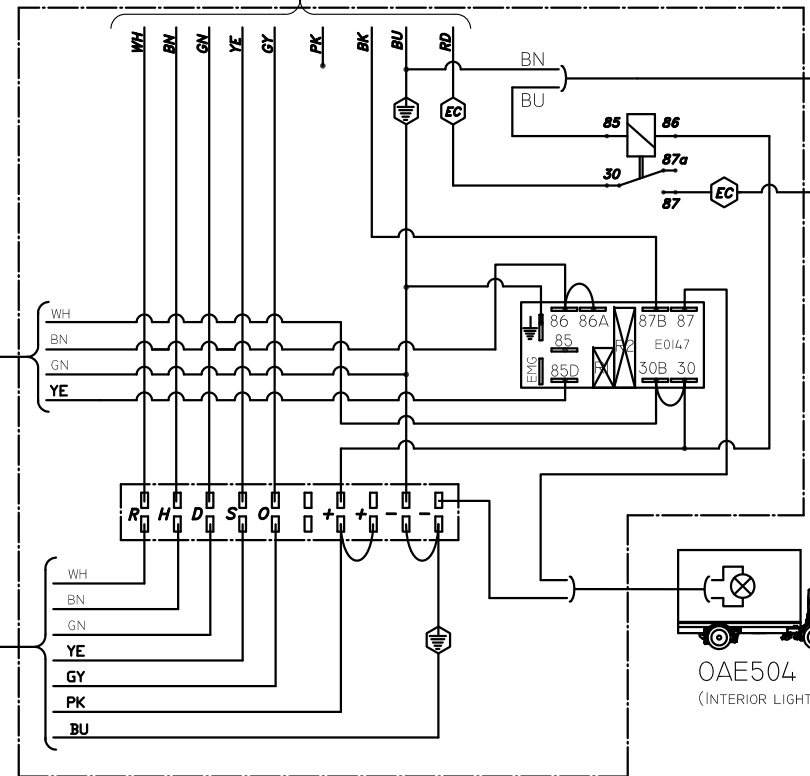
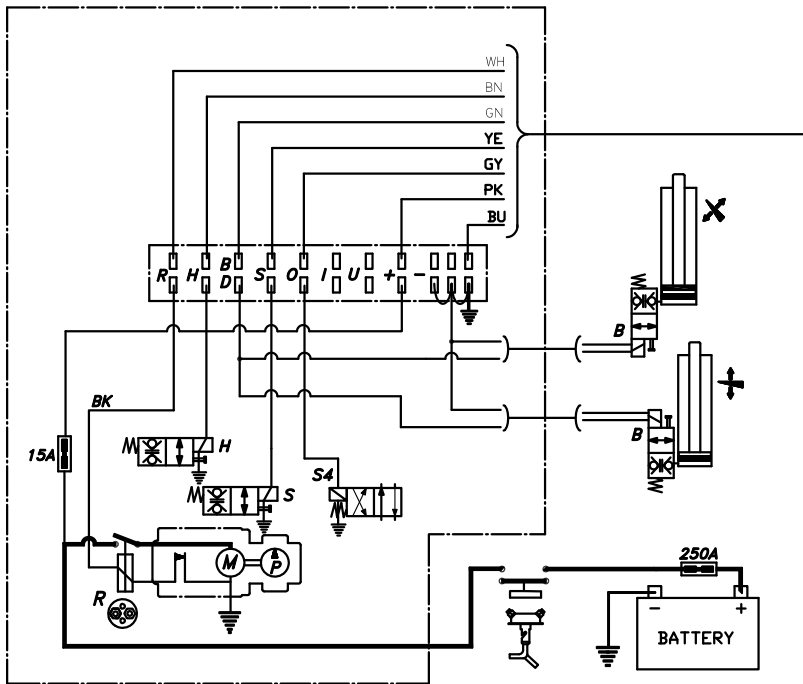
E0793.31.1.OMM4



OAE502 REED SENSOR



OAE502  
 E0614.R.2.L.LE  
 E0614.R.2.R.LE  
 E0615.R.2.L.LE  
 E0615.R.2.R.LE



OAE504  
 (INTERIOR LIGHTS)

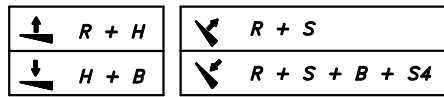
COLOUR CODES  
 DIN 47100

- 1=WH
- 2=BN
- 3=GN
- 4=YE
- 5=GY
- 6=PK
- 7=BU
- 8=RD
- 9=BK

EC = 24/12V  
 EXTRA CTRL.



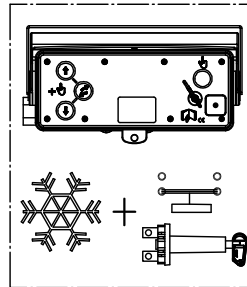
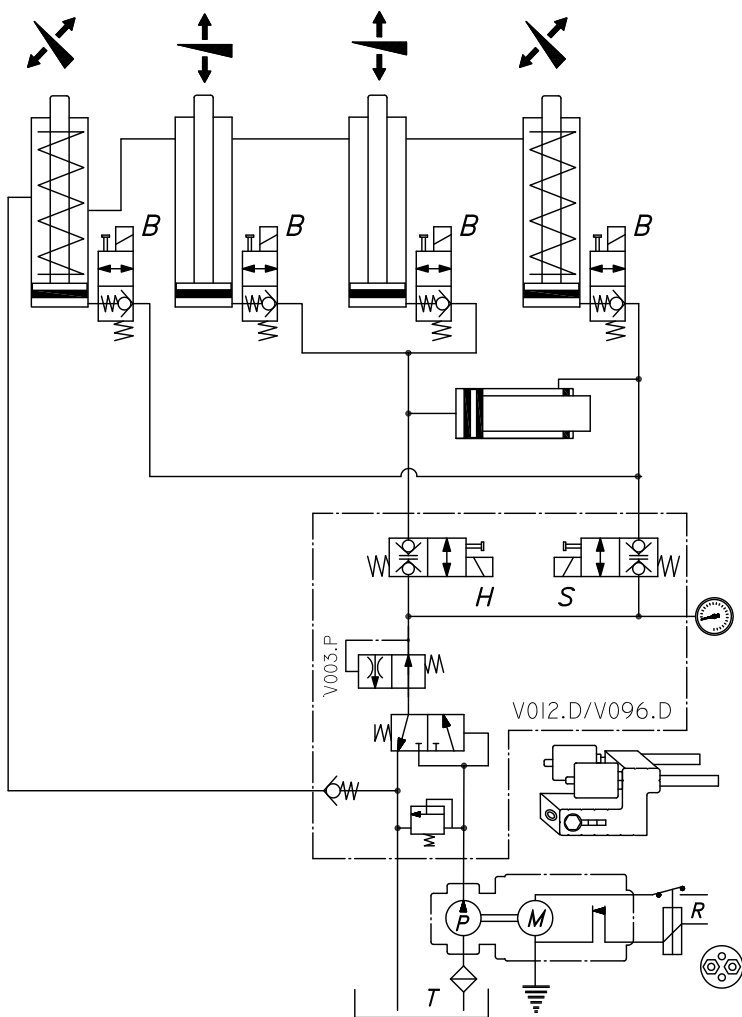
OMM4



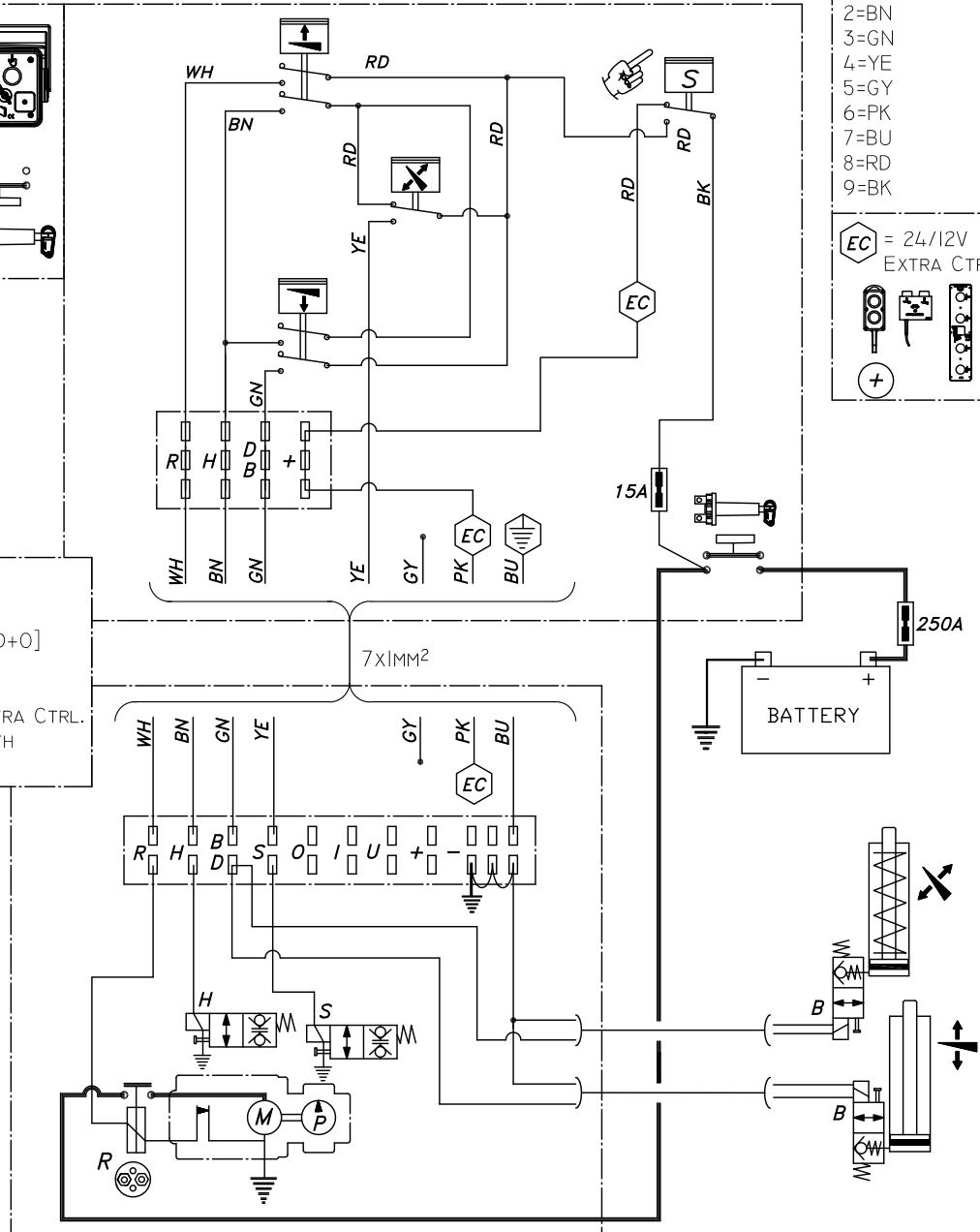
- 1=WH
- 2=BN
- 3=GN
- 4=YE
- 5=GY
- 6=PK
- 7=BU
- 8=RD
- 9=BK

EC = 24/12V  
EXTRA CTRL.

Type : DH-LSU iiff (HYDR.) + OAE041.BP arctic control box - 2013/...  
 Power pack : GT-LD-motor pump-... Valve : V012.D / V096.D  
 Plan N° : Sch\_LSU-HYD-OAE041.BP-2013-02 Date : 09/08/2013



WH-> R  
 BN-> H  
 GN-> B [B=D+O]  
 YE-> S  
 GY->  
 PK-> + EXTRA CTRL.  
 BU-> - EARTH



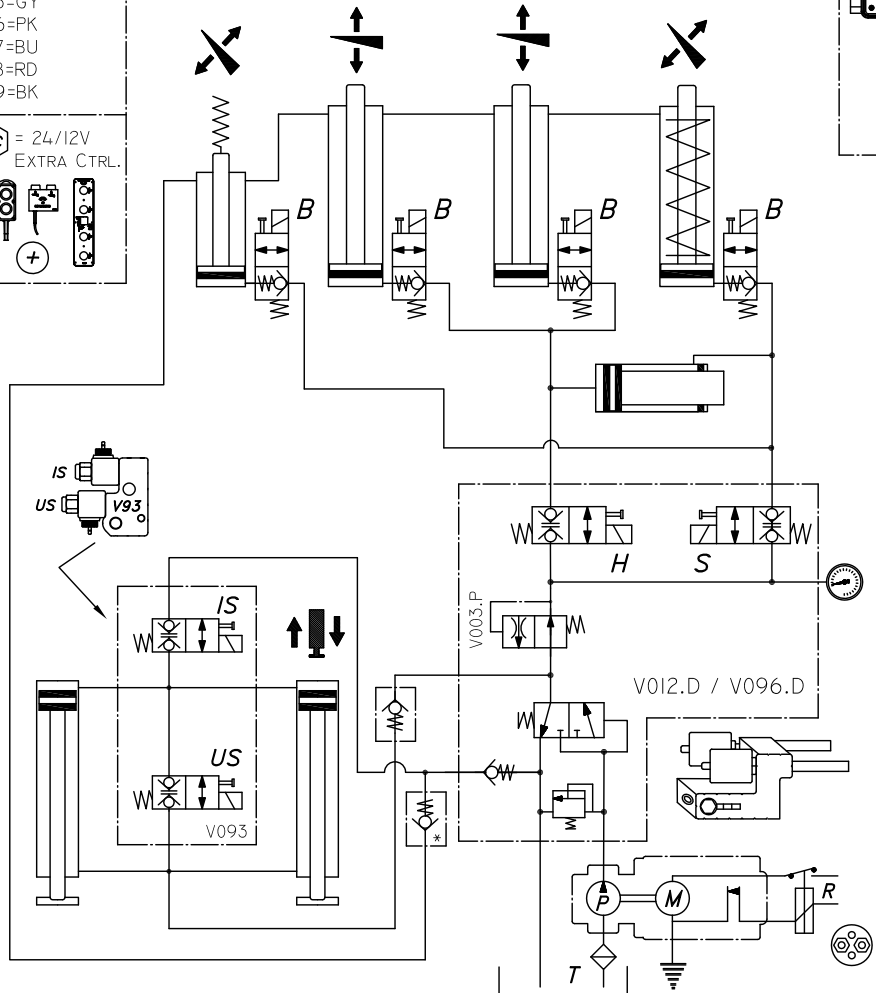
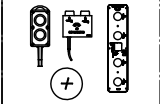
HYDR.


COLOUR CODES  
DIN 47100

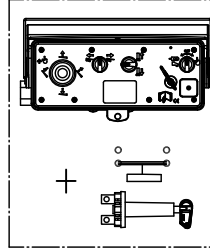
DH-LSU / DH-LS\* + STAB. LEGS

- 1=WH
- 2=BN
- 3=GN
- 4=YE
- 5=GY
- 6=PK
- 7=BU
- 8=RD
- 9=BK

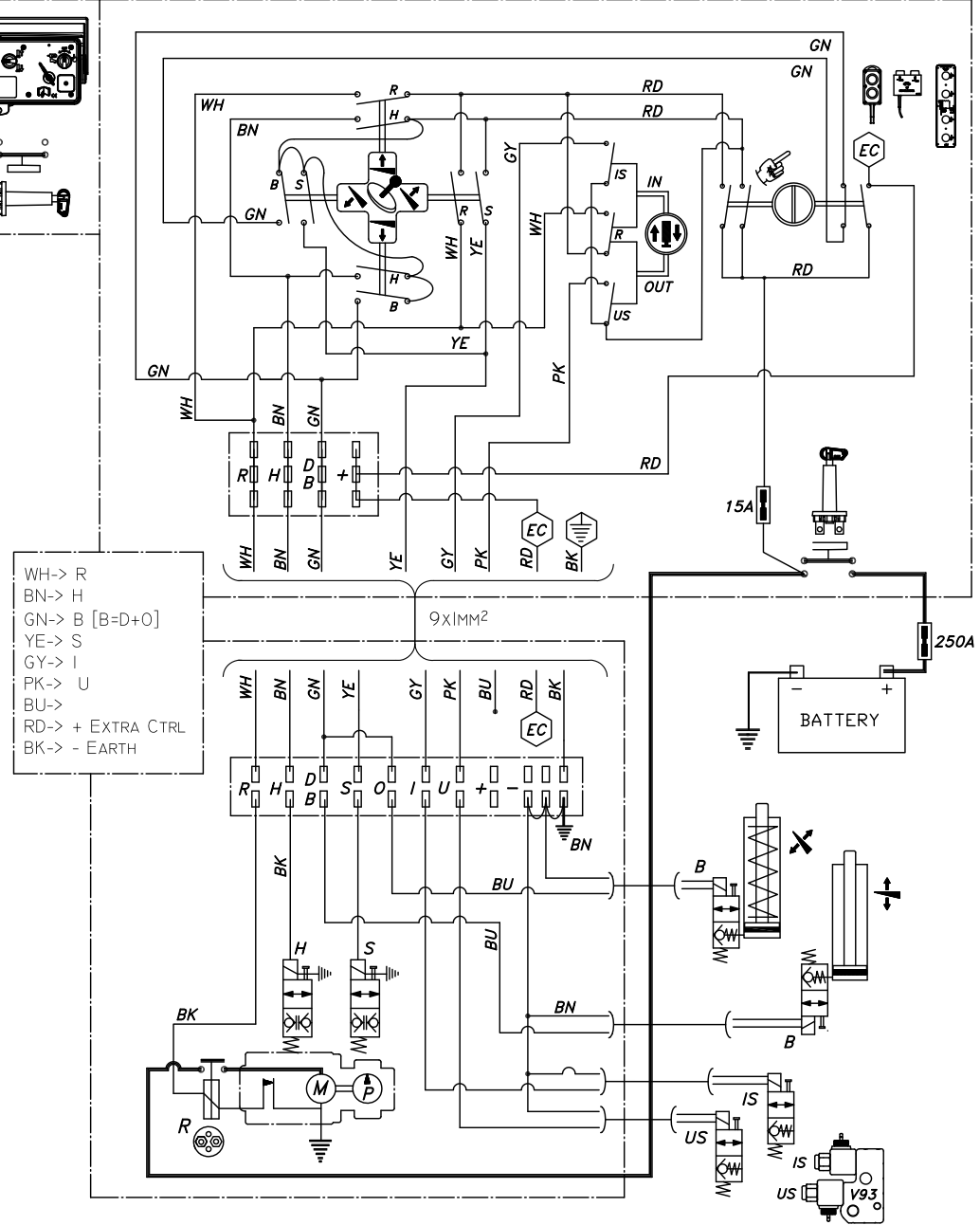
EC = 24/12V  
EXTRA CTRL.



OAE030.BT



EXTERIOR CONTROL BOX REF. EDIII.TO



WH-> R  
BN-> H  
GN-> B [B=D+O]  
YE-> S  
GY-> I  
PK-> U  
BU-> +  
RD-> + EXTRA CTRL  
BK-> - EARTH

HYDR.


Type : DH-LSU (HYDR + E2007) + HYDR.STABILISING LEGS  
Power pack : GT-SD-(L(R)-01...06

Plan N° : Sch\_LSU ST-HYD-OAE030.BT-2013-01  
Valve : V012.D / V096.D

Date : 08/08/2013



DH-LSU / DH-LS\*

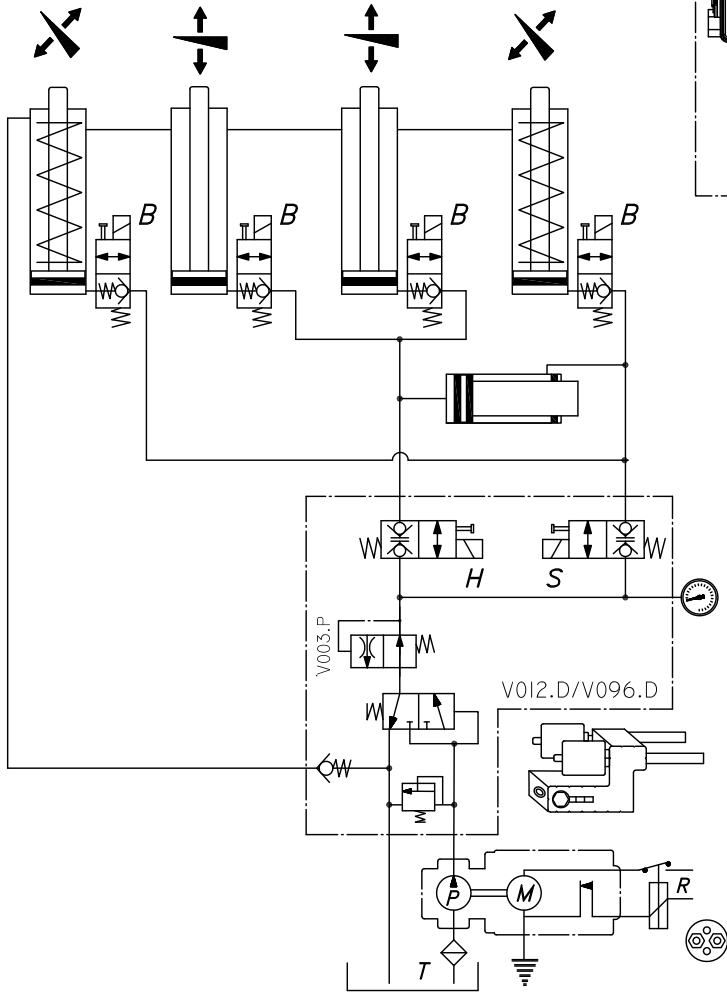
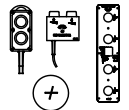
OAE030.BT

EXTERIOR CONTROL BOX REF. EDI01.T0 / EDI21.T0

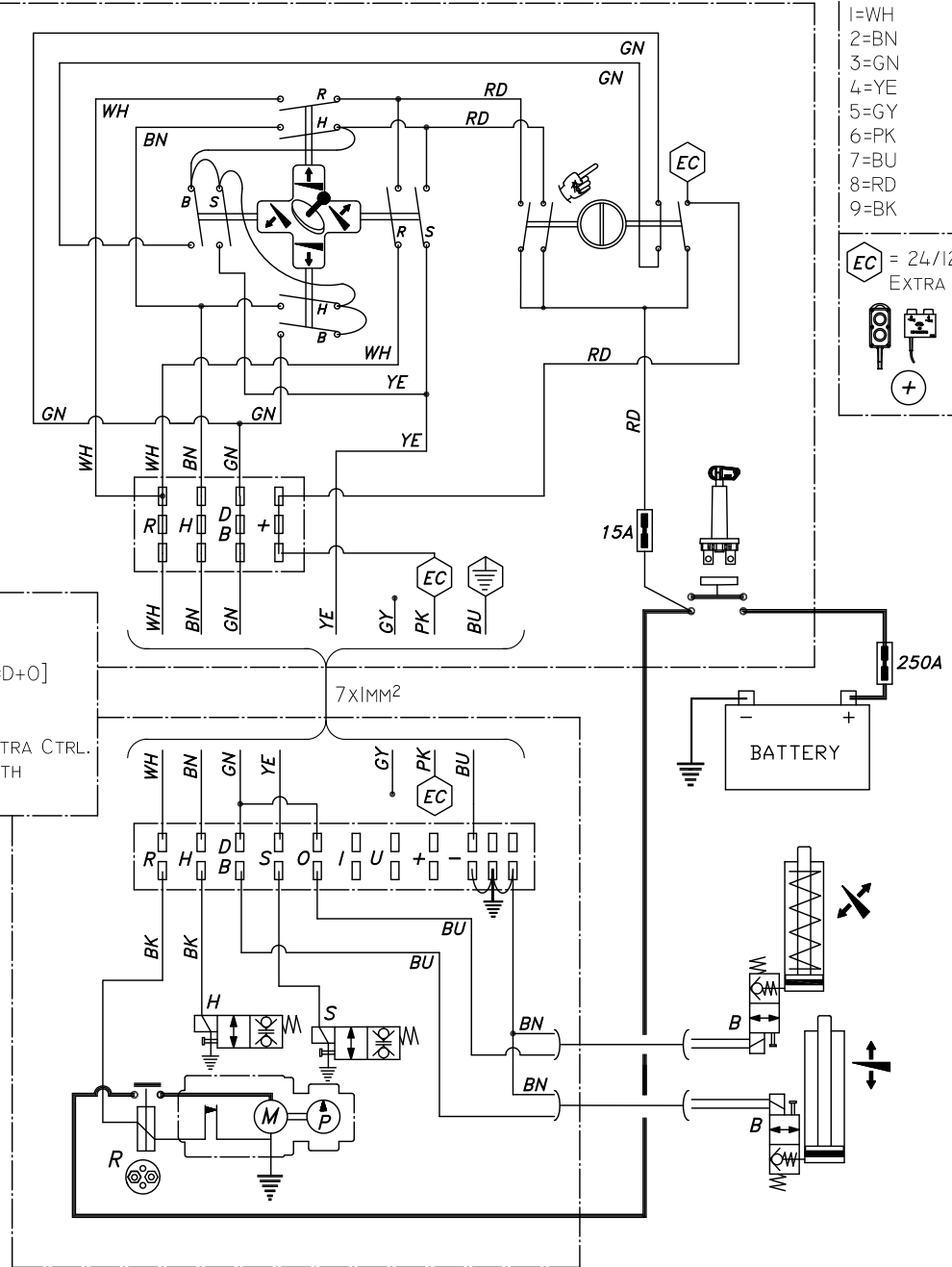
COLOUR CODES  
DIN 47100

- 1=WH
- 2=BN
- 3=GN
- 4=YE
- 5=GY
- 6=PK
- 7=BU
- 8=RD
- 9=BK

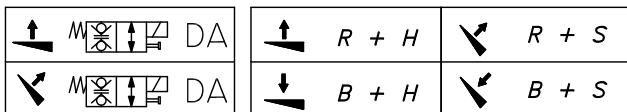
EC = 24/12V  
EXTRA CTRL.



WH-> R  
BN-> H  
GN-> B [B=D+O]  
YE-> S  
GY->  
PK-> + EXTRA CTRL.  
BU-> - EARTH



HYDR.



Type : STANDARD LIFT DH-LSU, LE,... - (HYDR. + E2007) - 2010/...  
Power pack : GT-LD-motor pump-...  
Plan N° : Sch\_LSU-HYD-OAE030.BT-2013-01

Valve : V012.D / V096.D

Date : 12/08/2013

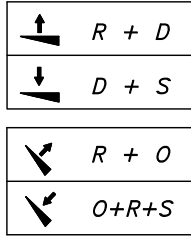
DHOLLANDIA



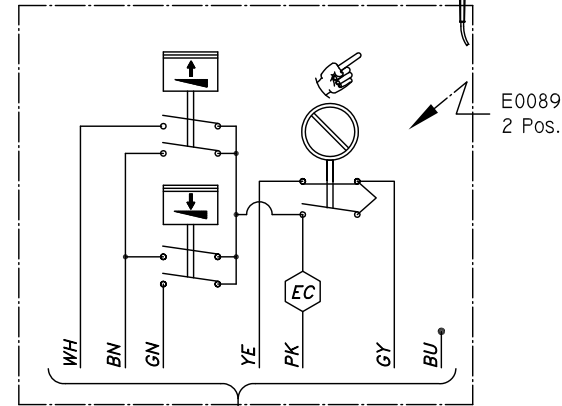
DH-LK

E0793.131.0.0MM.C2007

OMM3

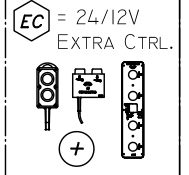


INTERIOR CONTROL REF. E0188.C.H



COLOUR CODES  
DIN 47100

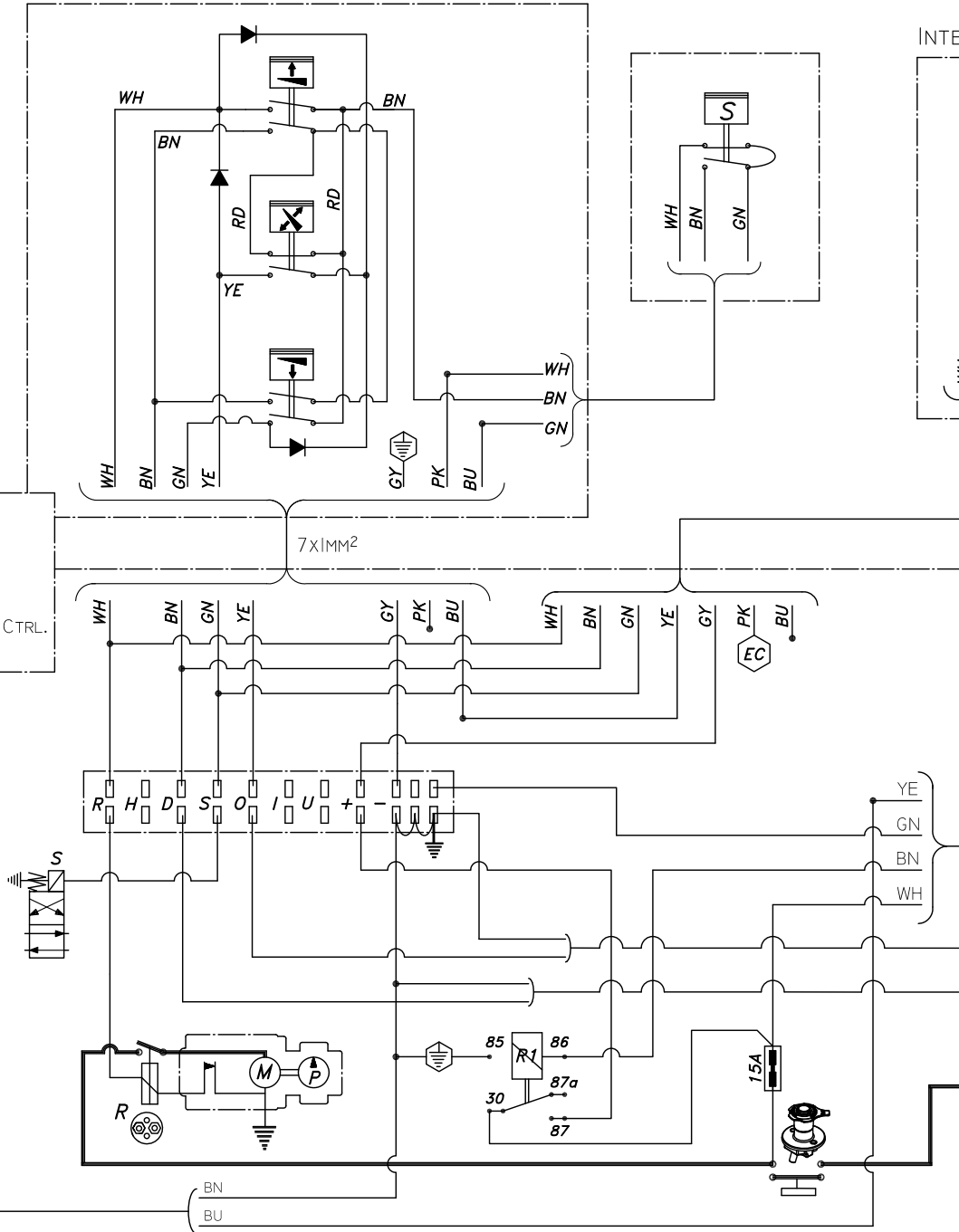
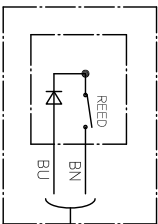
- 1=WH
- 2=BN
- 3=GN
- 4=YE
- 5=GY
- 6=PK
- 7=BU
- 8=RD
- 9=BK



OMM3 :  
WH-> R  
BN-> D  
GN-> S  
YE-> + CTRL. BOX  
GY-> + 12/24V  
PK-> + 2° EXTRA CTRL.  
BU-> ...

WH-> R  
BN-> D  
GN-> S  
YE-> O  
GY-> - EARTH  
PK-> + EXTRA CTRL.  
BU-> + 24/12V

OAE502  
E0614.R.2.R.LE



CONNECTION

Pos.	CABLE N°
1	BN/2
2	GN/3
3	
4	
5	
6	YE/4
7	WH/1

OAE500

Type : Flat platform DH-LK OMM3 + Helper relay - 2013/...

Power pack : G-LOMM3-R-03

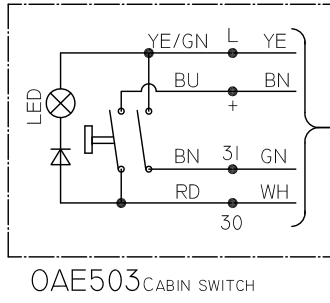
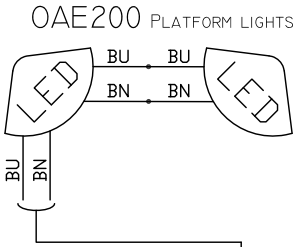
Valve : V0129.12/24

Plan N° : Sch\_LK-OMM3-V129-OAE031.Z-OAE008-2013-02

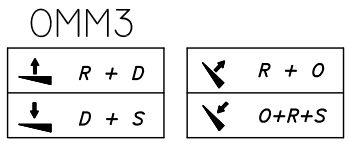
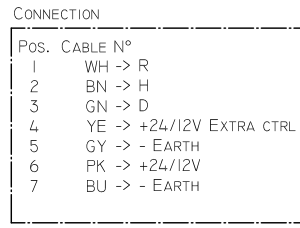
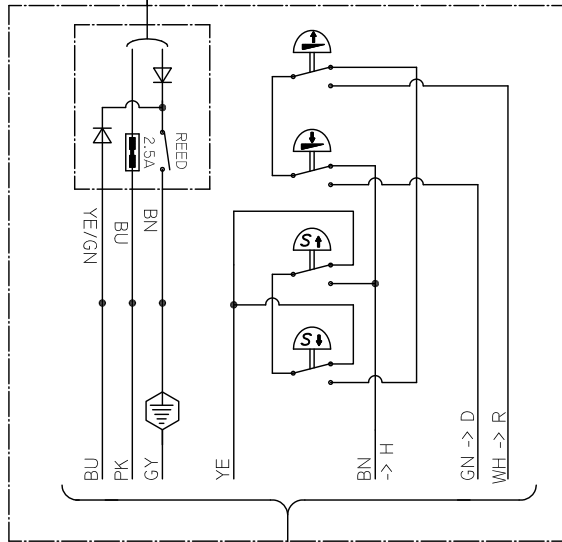
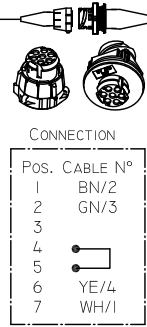
Date : 13/11/2013

DHOLLANDIA

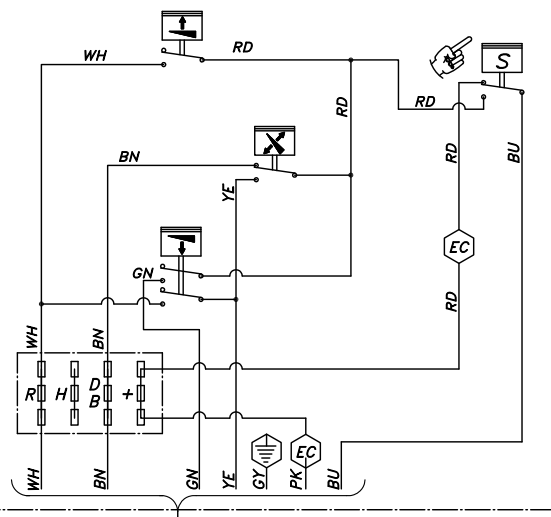
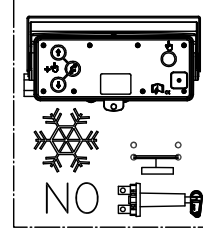
DH-LM ~ OMM3 ~ TRUCK + OAE041.ZP  
+ OAE064 + OAE200 + OAE500



OAE500 (CANNON PLUG)  
OR OAE501.12 (12M 4x1,5)



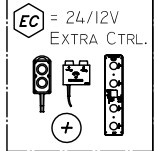
OAE041.ZP EXTERIOR CONTROL BOX REF. EAZI07.P0 / EAZI27.P0



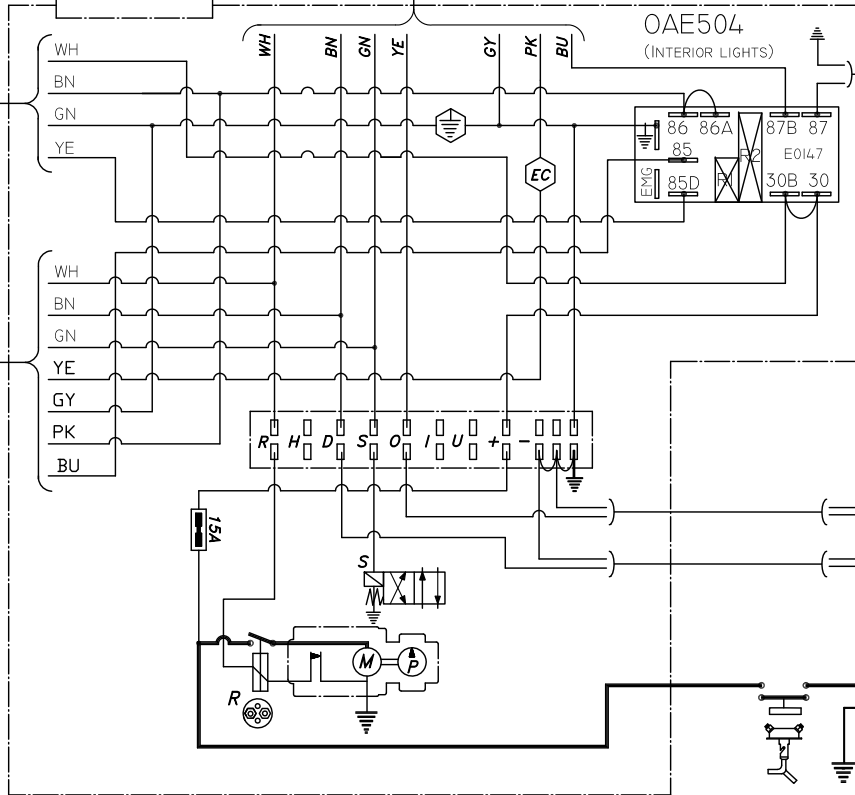
WH -> R  
BN -> D  
GN -> S  
YE -> O  
GY -> - EARTH  
PK -> + EXTRA CTRL.  
BU -> + 24/12V

COLOUR CODES  
DIN 47100

- 1=WH
- 2=BN
- 3=GN
- 4=YE
- 5=GY
- 6=PK
- 7=BU
- 8=RD
- 9=BK



E0480.M.6.LE



Type : DH-L\* lift + OMM3 + OAE041 arctic control box - 2013/...

Power pack : GT-LOMM-2511...

Plan N° : Sch\_LM-OMM3-OAE041.ZP-Truck-2013-02

Valve : V129.12 / .24

Date : 07/08/2013

DHOLLANDIA



DH-LM ~ OMM3 ~ TRUCK + OAE041.ZP + OAE064 + OAE200 + OAE500

COLOUR CODES  
DIN 47100

Type : DH-L\* lift + OMM3 + OAE041 arctic control box - 2013/...

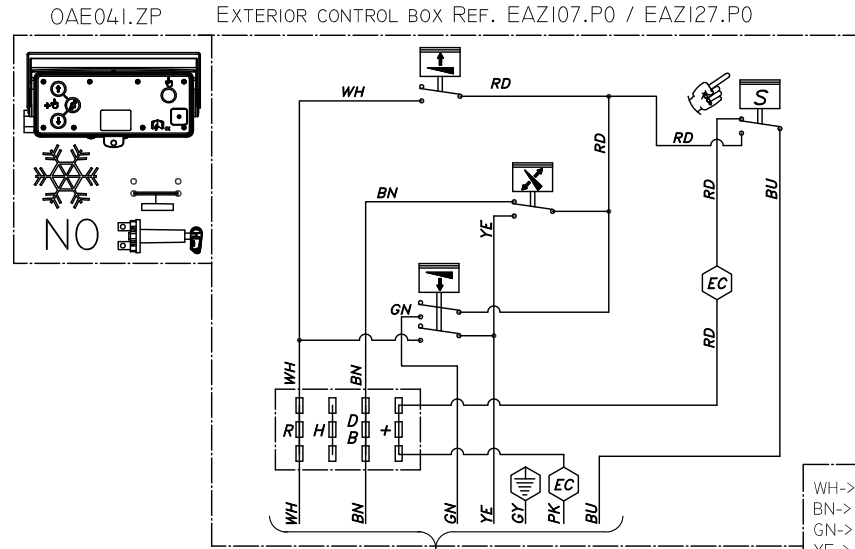
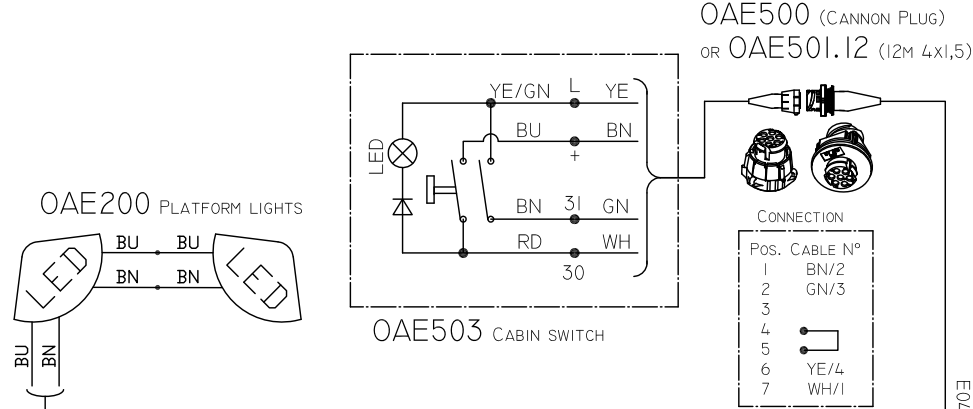
Power pack : GT-LOMM-2511...

Plan N° : Sch\_LM-OMM3-OAE041.ZP-Truck-2013-05

Valve : V129.12 / .24

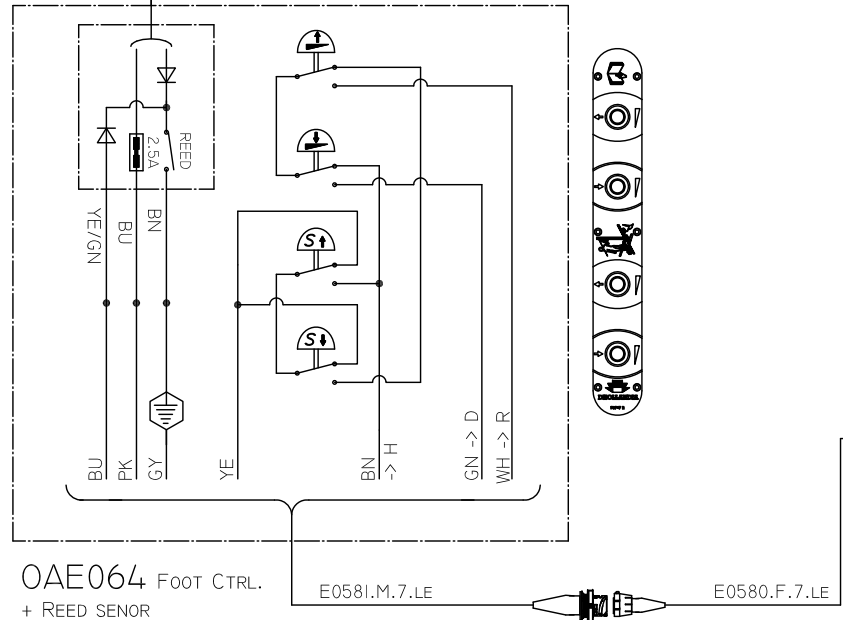
Date : 17/01/2014

DHOLLANDIA

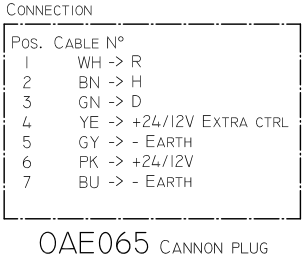
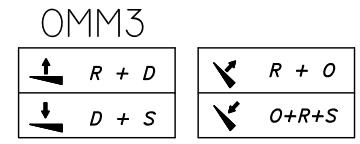
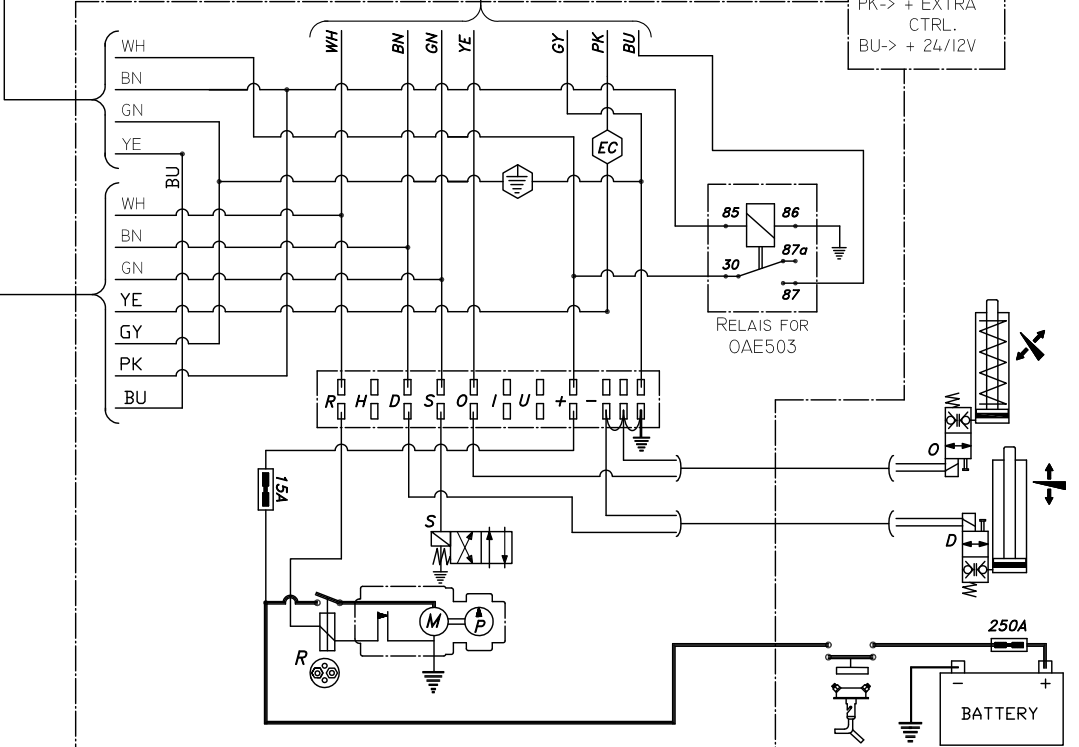


1=WH  
2=BN  
3=GN  
4=YE  
5=GY  
6=PK  
7=BU  
8=RD  
9=BK

EC = 24/12V EXTRA CTRL.



WH -> R  
BN -> D  
GN -> S  
YE -> O  
GY -> - EARTH  
PK -> + EXTRA CTRL.  
BU -> + 24/12V

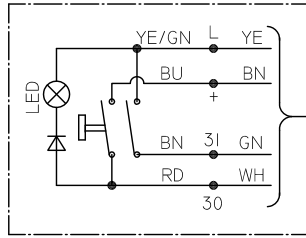
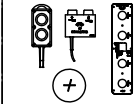


DH-LM ~ OMM3 + OAE031.Z + OAE500 + OAE502

COLOUR CODES  
DIN 47100

- 1=WH
- 2=BN
- 3=GN
- 4=YE
- 5=GY
- 6=PK
- 7=BU
- 8=RD
- 9=BK

EC = 24/12V  
EXTRA CTRL.



OAE503 CABIN SWITCH

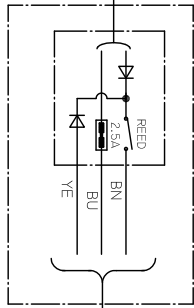
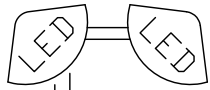
OAE500 (CANNON PLUG)  
OR OAE501.12 (12M 4x1,5)



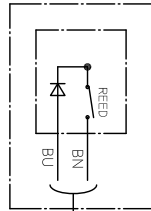
CONNECTION

Pos.	CABLE N°
1	BN/2
2	GN/3
3	
4	
5	
6	YE/4
7	WH/1

OAE200 - PLATFORM LIGHTS

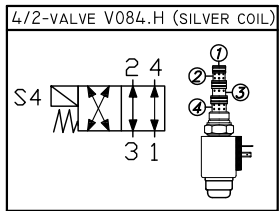
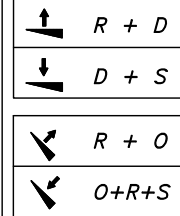


OAE502  
E0614.RCL.3.L  
E0614.RCL.3.R  
E0615.RCL.3.L  
E0615.RCL.3.R



OAE502  
E0614.R.2.L.LE  
E0614.R.2.R.LE  
E0615.R.2.L.LE  
E0615.R.2.R.LE

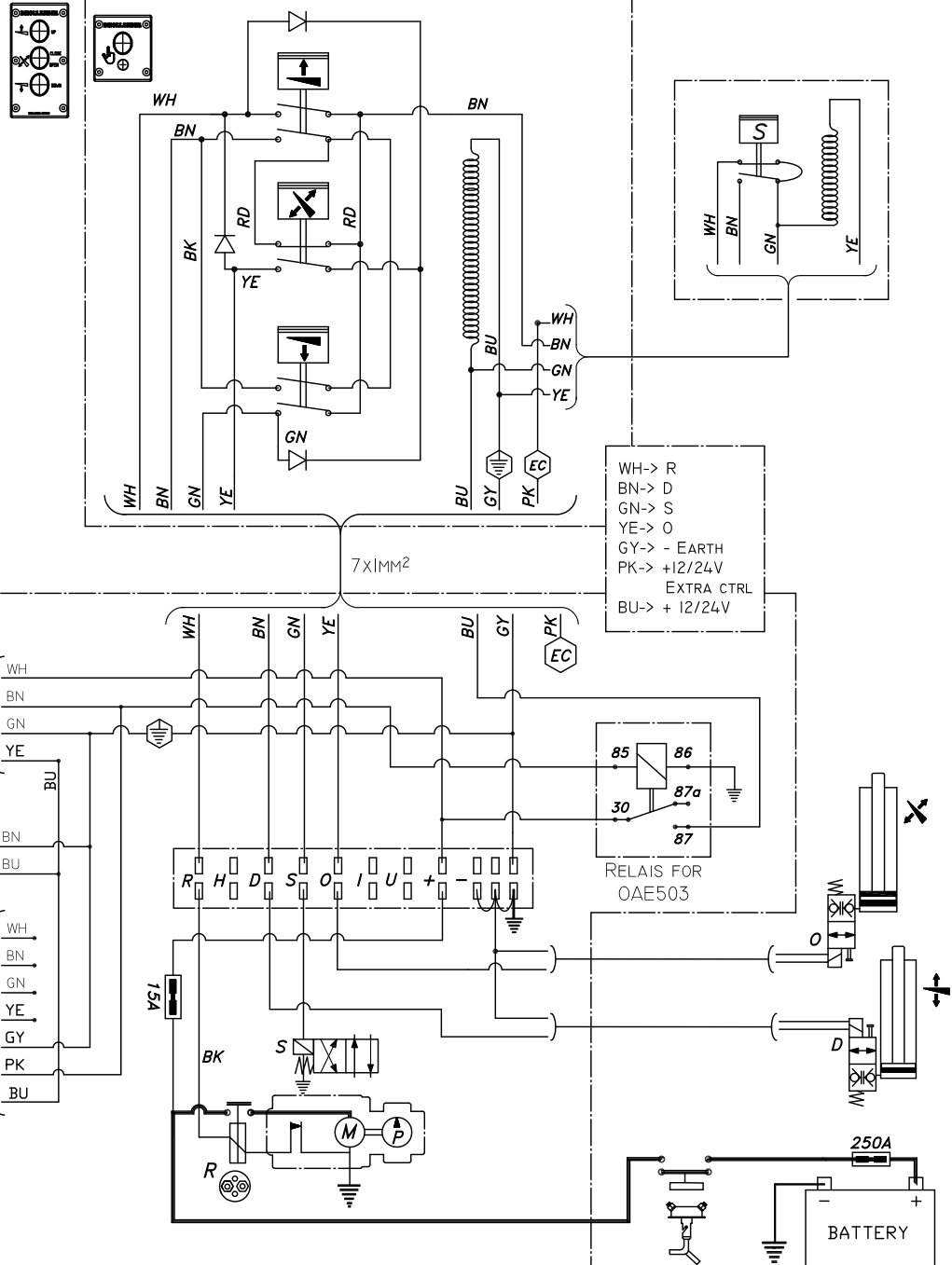
OMM3



CABLE N°	Pos.	CABLE N°
-	1	WH -> R
-	2	BN -> H
-	3	GN -> D
-	4	YE -> +24/12V EXTRA CTRL
BN	5	GY -> - EARTH
BU	6	PK -> +24/12V
YE	7	BU -> - EARTH

OAE065 - CANNON PLUG

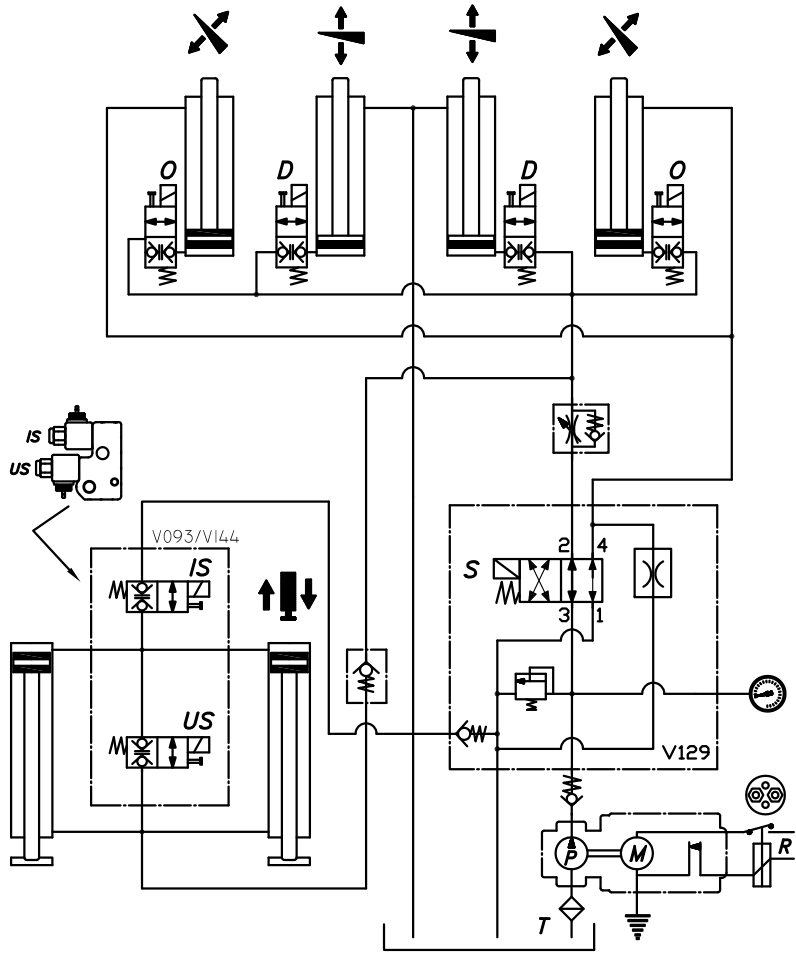
E0793.31.1.OMM3



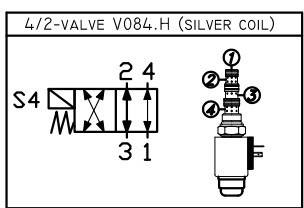
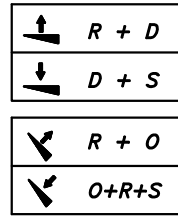
7x1mm<sup>2</sup>

WH ->	R
BN ->	D
GN ->	S
YE ->	O
GY ->	- EARTH
PK ->	+12/24V
BU ->	+ 12/24V

EXTRA CTRL



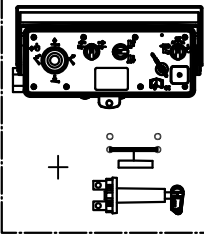
OMM3



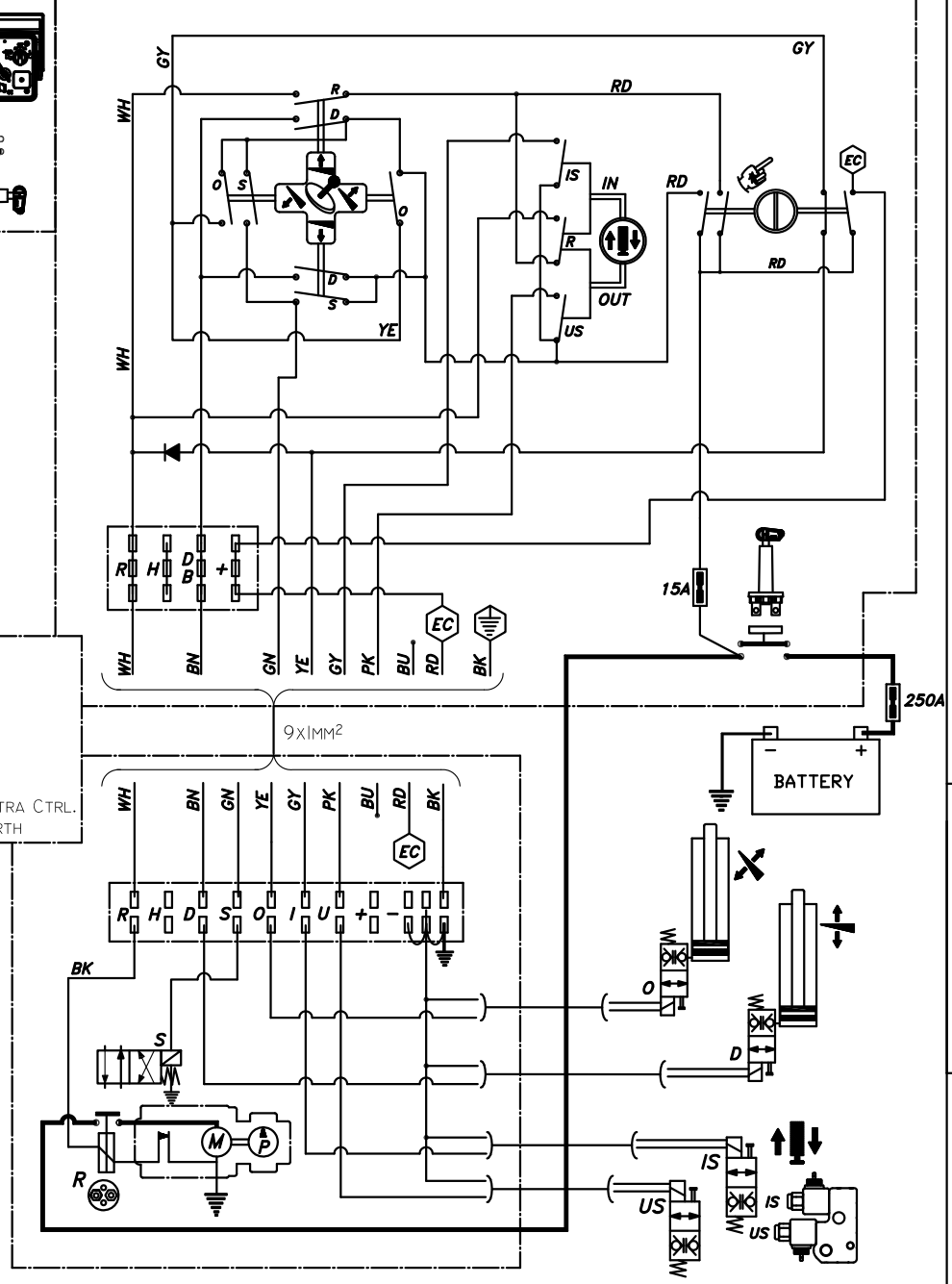
COLOUR CODES  
DIN 47100

1=WH  
2=BN  
3=GN  
4=YE  
5=GY  
6=PK  
7=BU  
8=RD  
9=BK

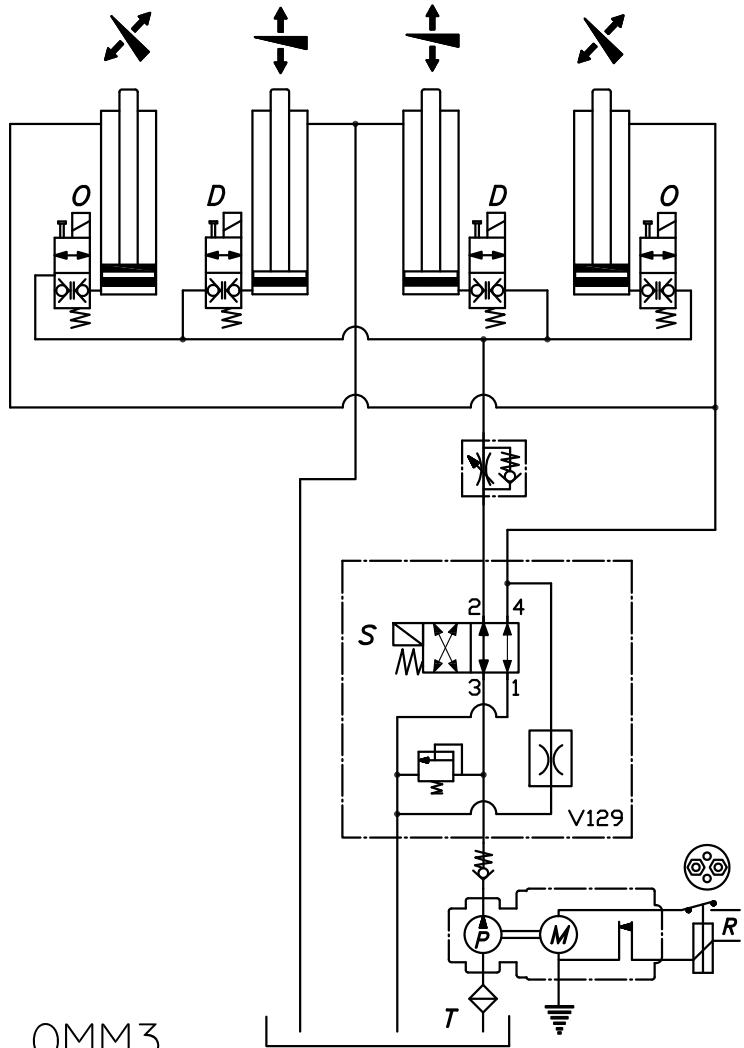
EC = 24/12V  
EXTRA CTRL.



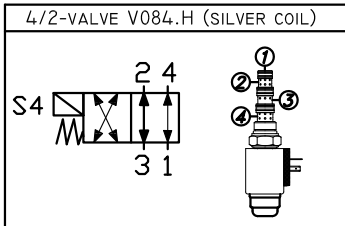
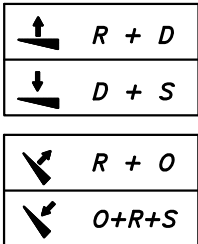
WH-> R  
BN-> D  
GN-> S  
YE-> O  
GY-> IS  
PK-> US  
BU->  
RD-> + EXTRA CTRL.  
BK-> - EARTH



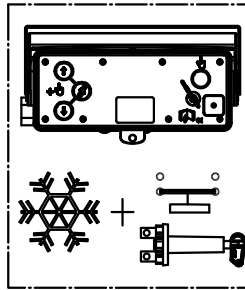
DH-LM ~ OMM3 + OAE041.BP ARCTIC CTRL. BOX



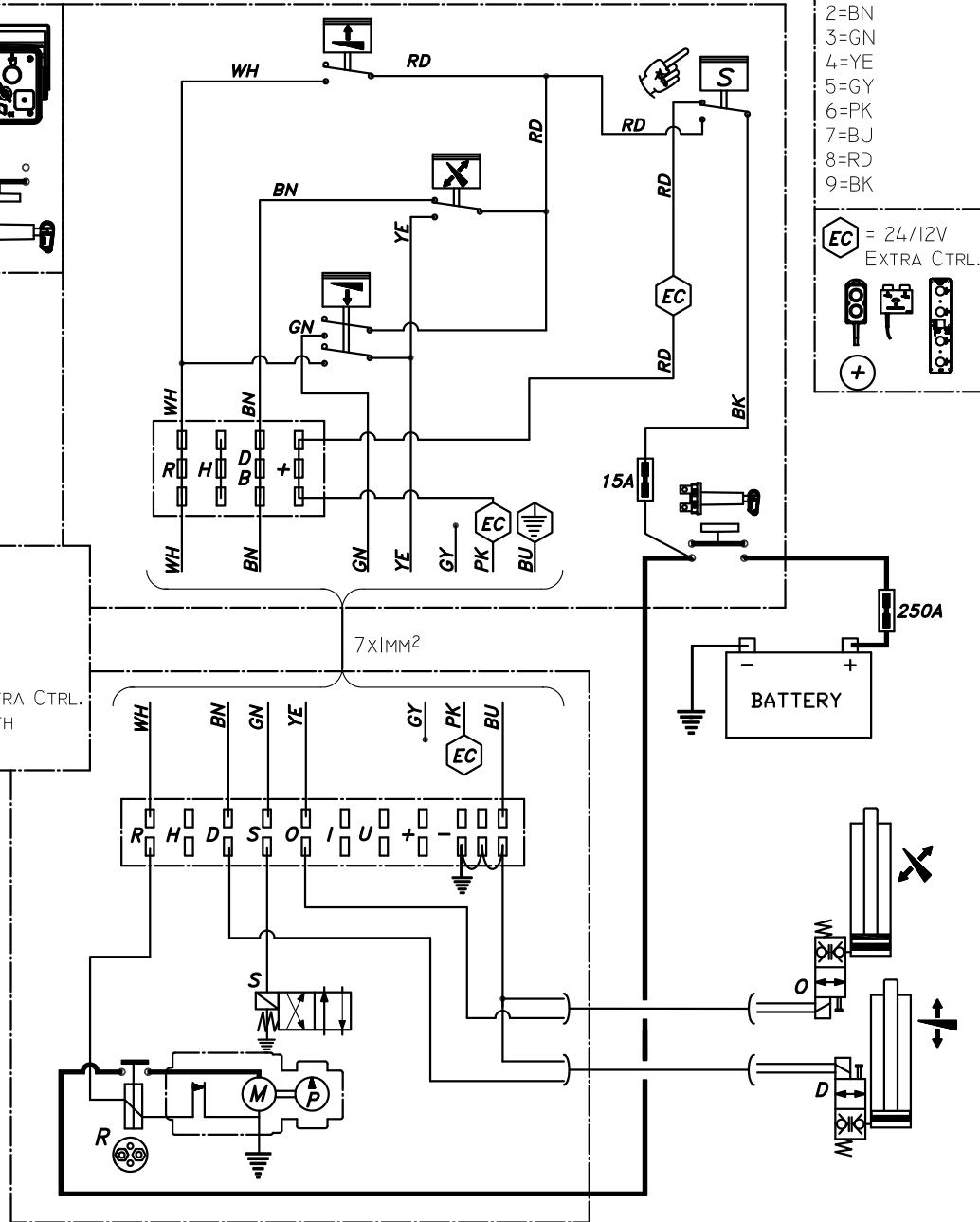
OMM3



OAE041.BP EXTERIOR CONTROL BOX REF. EAI07.P0 / EAI27.P0

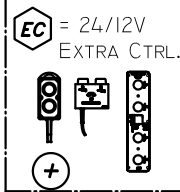


WH -> R  
 BN -> D  
 GN -> S  
 YE -> O  
 GY -> +  
 PK -> + EXTRA CTRL.  
 BU -> - EARTH



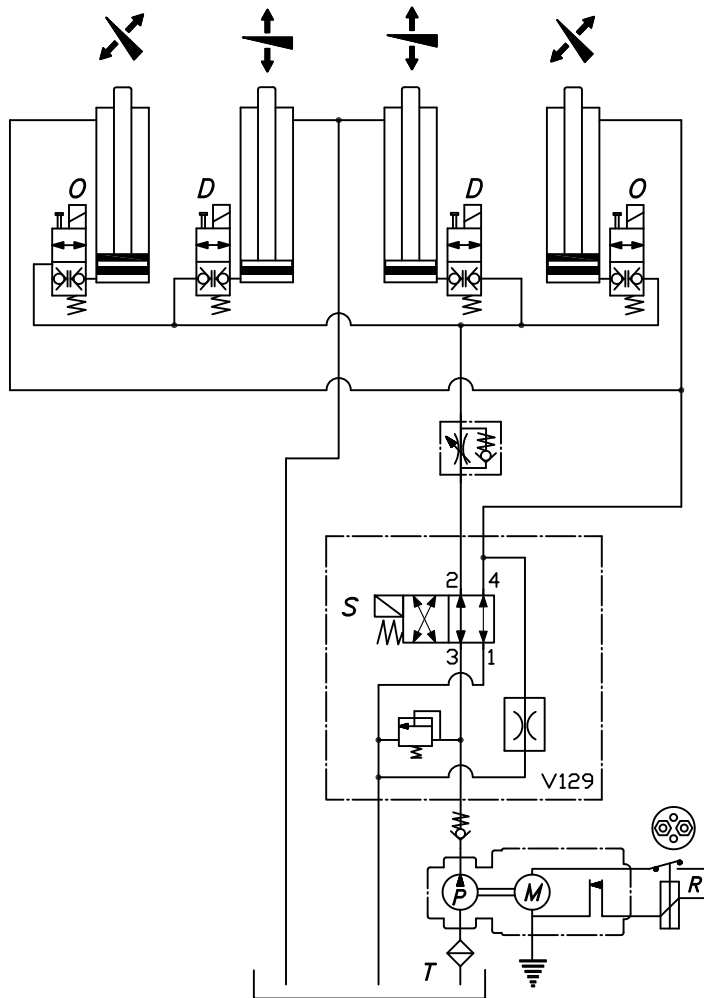
COLOUR CODES  
 DIN 47100

- 1=WH
- 2=BN
- 3=GN
- 4=YE
- 5=GY
- 6=PK
- 7=BU
- 8=RD
- 9=BK

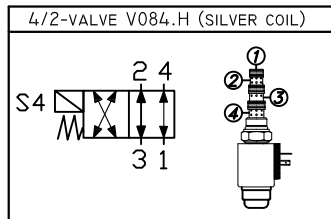
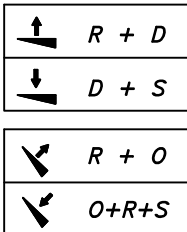


Type : DH-L\* lift + OMM3 + OAE041.BP arctic control box - 2013/...  
 Power pack : GT-LOMM-2511... Valve : V129.12/24  
 Plan N° : Sch\_LM-OMM3-OAE041.BP-2013-01 Date : 07/08/2013  
 DEHOLLANDIA

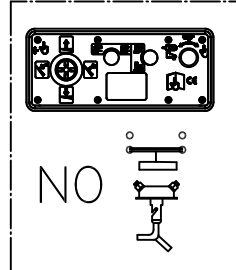
DH-LM ~ OMM3



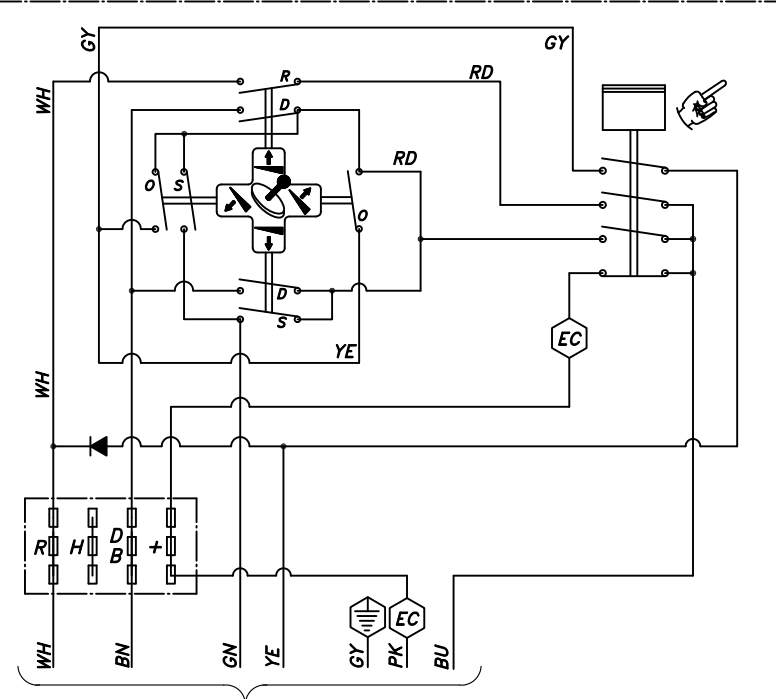
OMM3



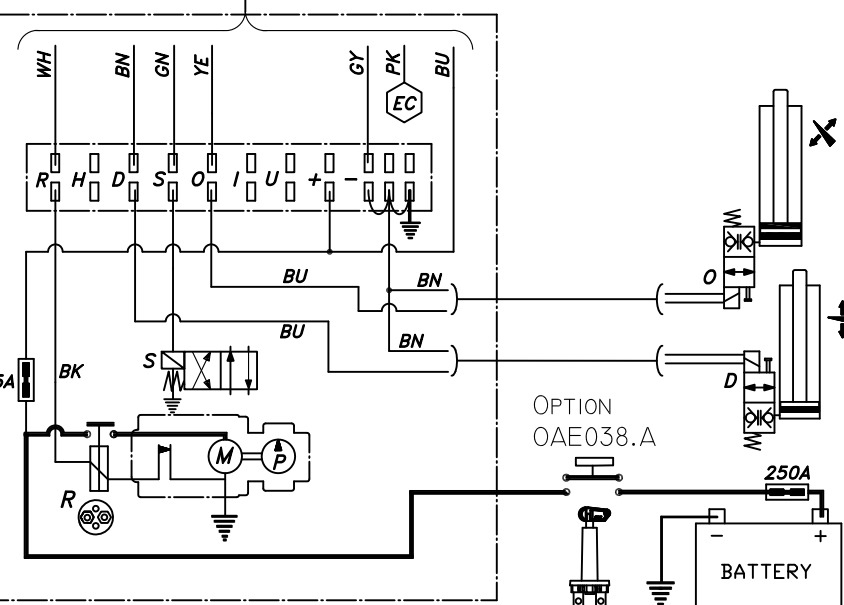
OAE030.ZP



EXTERIOR CONTROL BOX REF. EC107.P0

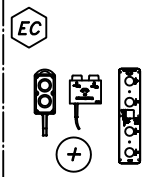


WH-> R  
 BN-> D  
 GN-> S  
 YE-> O  
 GY-> - EARTH  
 PK-> + EXTRA CTRL.  
 BU-> + 24/12V



COLOUR CODES  
 DIN 47100

- 1=WH
- 2=BN
- 3=GN
- 4=YE
- 5=GY
- 6=PK
- 7=BU
- 8=RD
- 9=BK



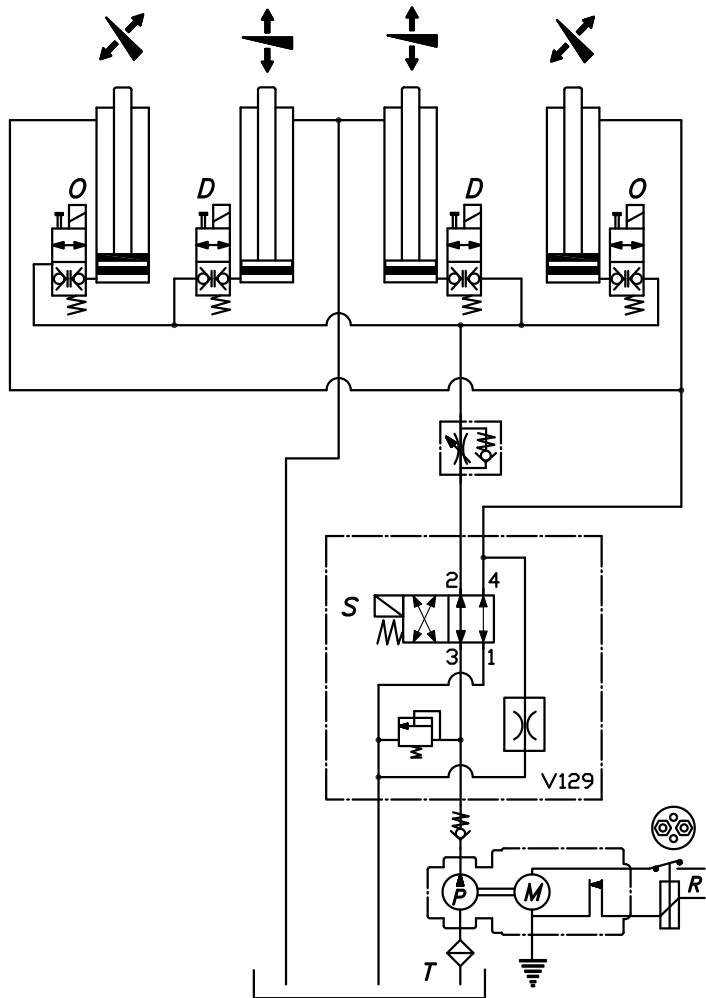
Type : STANDARD LIFT DH-LM OMM3 + OAE030.ZP + MECH. HIT - 2010/...

Power pack : GT-LOMM-2511.45.R... Valve : V0129.12/24

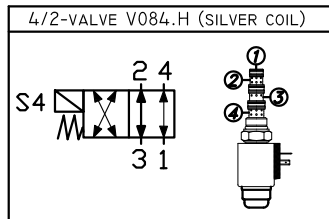
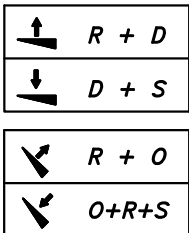
Plan N° : Sch\_LM-OMM3-OAE030.ZP-2013-01 Date : 22/10/2013

**DEHOLLANDIA**

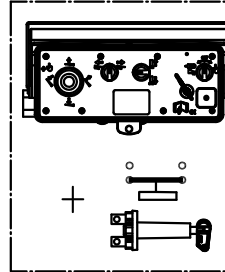
DH-LM ~ OMM3



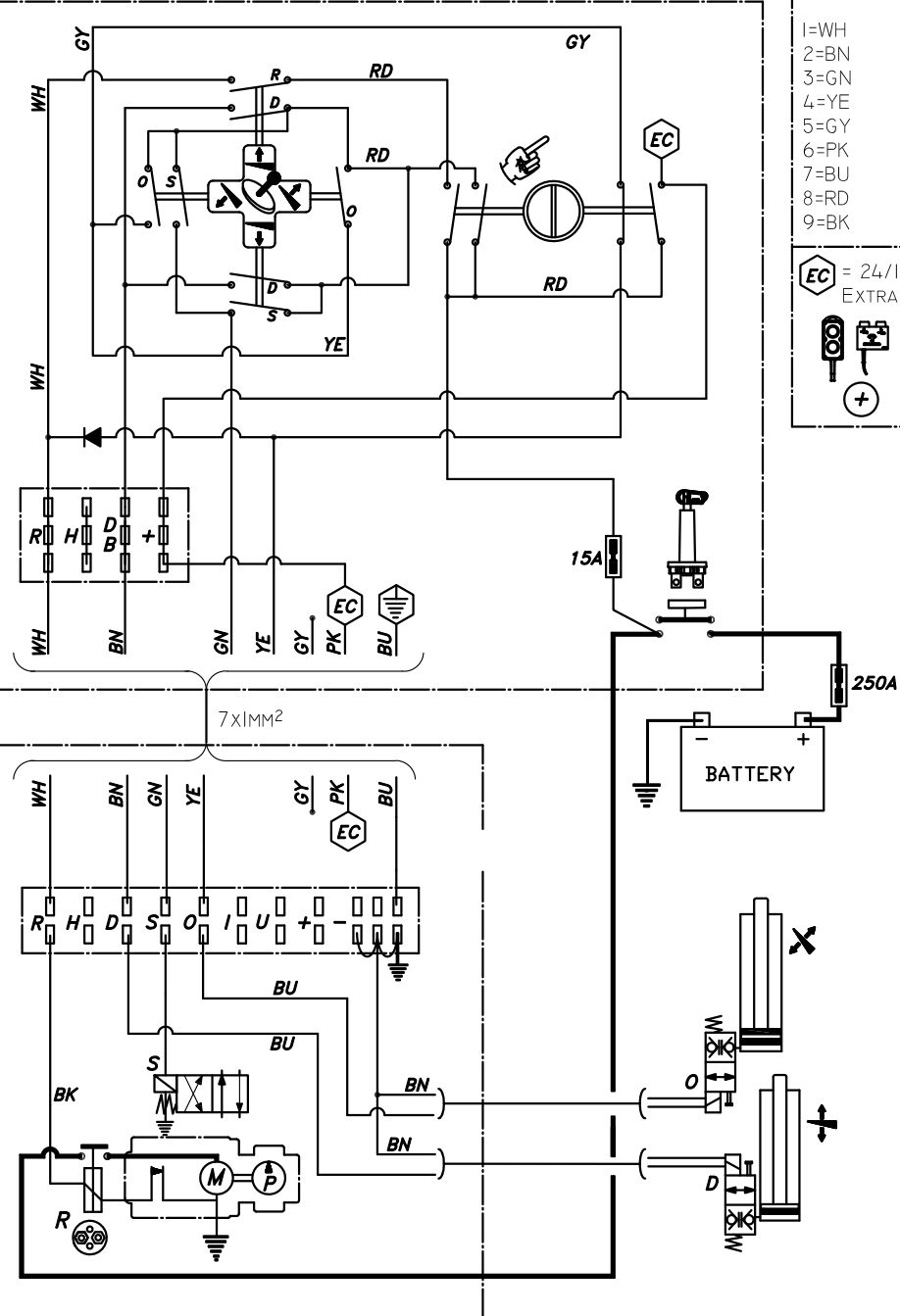
OMM3



OAE030.BT



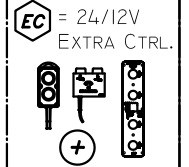
EXTERIOR CONTROL BOX REF. EDI07.T0



WH-> R  
 BN-> D  
 GN-> S  
 YE-> O  
 GY->  
 PK-> + EXTRA CTRL.  
 BU-> - EARTH

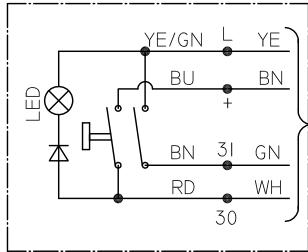
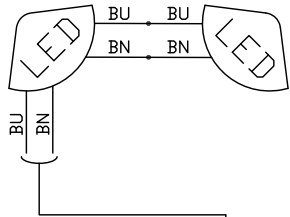
COLOUR CODES  
 DIN 47100

- 1=WH
- 2=BN
- 3=GN
- 4=YE
- 5=GY
- 6=PK
- 7=BU
- 8=RD
- 9=BK



DH-LM ~ TRUCK + OAE041.ZP +  
OAE064 + OAE200 + OAE500 + OAE504

OAE200  
PLATFORM LIGHTS



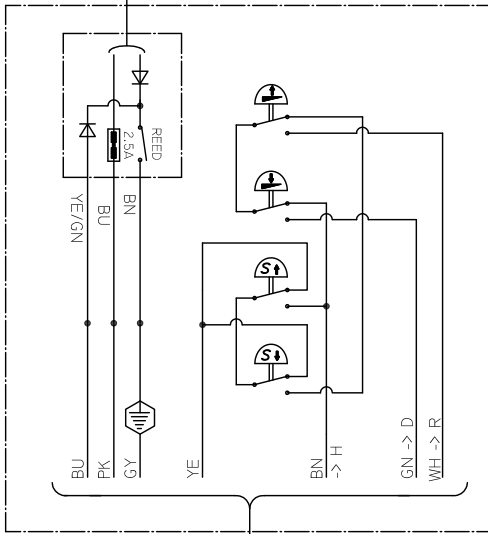
OAE503 CABIN SWITCH

OAE500 (CANNON PLUG)  
OR OAE501.12 (12M 4x1,5)



CONNECTION

Pos.	CABLE N°
1	BN/2
2	GN/3
3	
4	
5	
6	YE/4
7	WH/1



OAE064 FOOT CTRL.  
+ REED SENOR

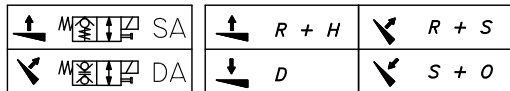
E0581.M.7.LE

CONNECTION

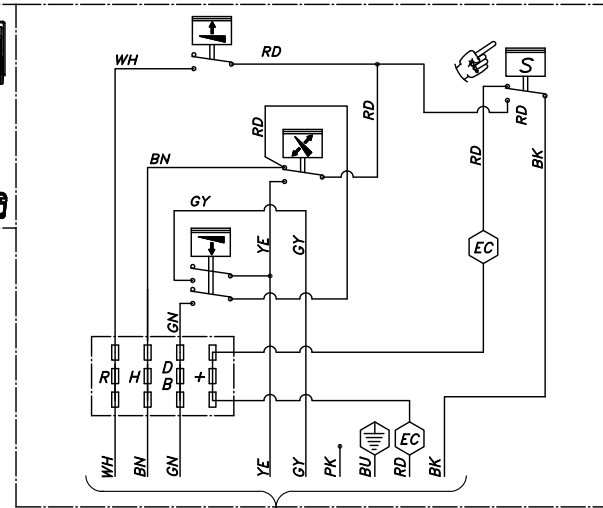
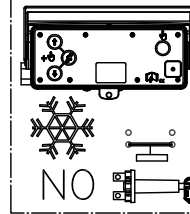
Pos.	CABLE N°
1	WH -> R
2	BN -> H
3	GN -> D
4	YE -> +24/12V EXTRA CTRL.
5	GY -> - EARTH
6	PK -> +24/12V
7	BU -> - EARTH

OAE065 CANNON PLUG

MECH - X

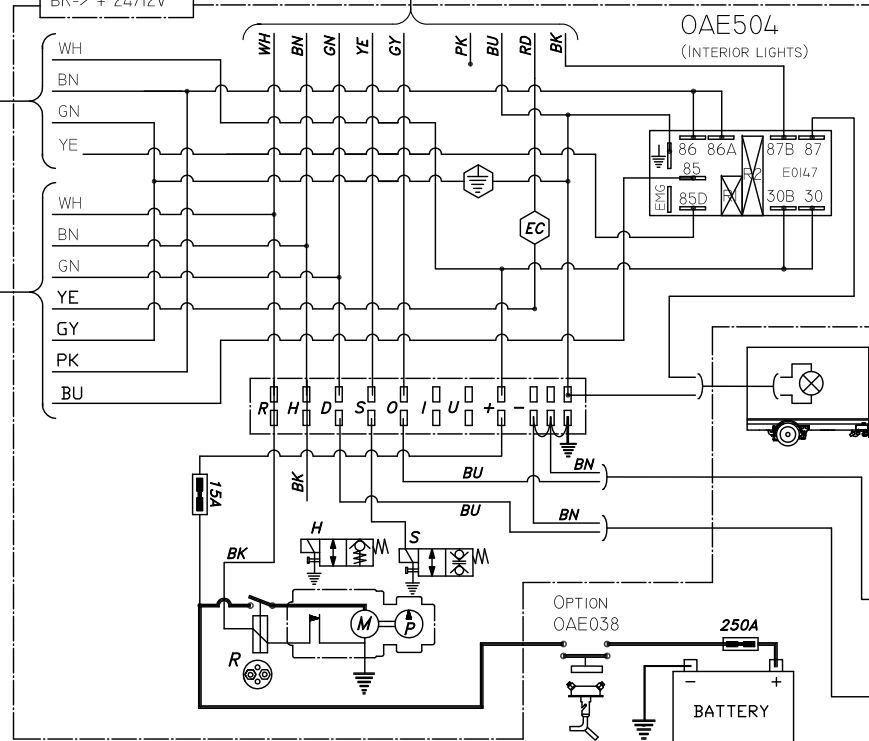


OAE041.ZP EXTERIOR CONTROL BOX REF. EAZI03.P0 / EAZI23.P0



WH -> R  
BN -> H  
GN -> D  
YE -> S  
PK ->  
GY -> O  
BU -> - EARTH  
RD -> + EXTRA CTRL.  
BK -> + 24/12V

E0480.M.6.LE



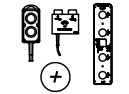
OAE504  
(INTERIOR LIGHTS)

TO BRIDGE R2,  
DISCONNECT RD WIRE  
FROM 30B AND  
CONNECT TO EMG

COLOUR CODES  
DIN 47100

- 1=WH
- 2=BN
- 3=GN
- 4=YE
- 5=GY
- 6=PK
- 7=BU
- 8=RD
- 9=BK

EC = 24/12V  
EXTRA CTRL.



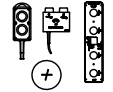
DH-LM ~ TRUCK + OAE041.ZP + OAE064 + OAE200 + OAE500

OAE041.ZP EXTERIOR CONTROL BOX REF. EAZI03.P0 / EAZI23.P0

COLOUR CODES  
DIN 47100

- 1=WH
- 2=BN
- 3=GN
- 4=YE
- 5=GY
- 6=PK
- 7=BU
- 8=RD
- 9=BK

EC = 24/12V  
EXTRA CTRL.



- WH -> R
- BN -> H
- GN -> D
- YE -> S
- GY -> O
- PK ->
- BU -> - EARTH
- RD -> + EXTRA CTRL.
- BK -> + 24/12V

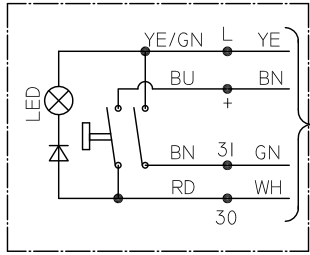
Type : DHLM~TRUCK diagram + ARCTIC ctrl box - 2013/...

Power pack : GT-LX-motor pump-... Valve : V012.X / V096.X / V141

Plan N° : Sch\_LM-MECH.X-OAE041.ZP-Truck-2013-05 Date : 17/01/2014

DHOLLANDIA

OAE500 (CANNON PLUG)  
OR OAE501.12 (12M 4x1,5)



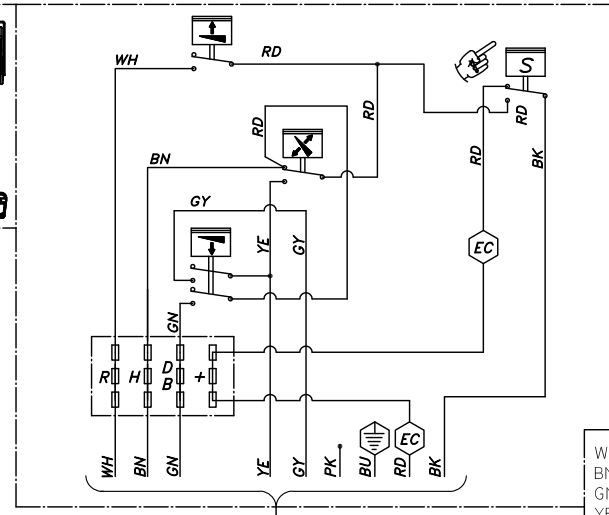
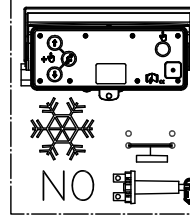
OAE503 CABIN SWITCH



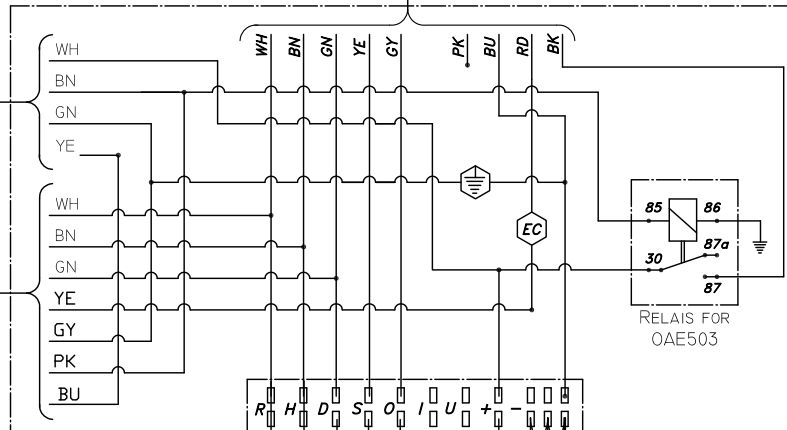
CONNECTION

Pos.	CABLE N°
1	BN/2
2	GN/3
3	
4	
5	
6	YE/4
7	WH/1

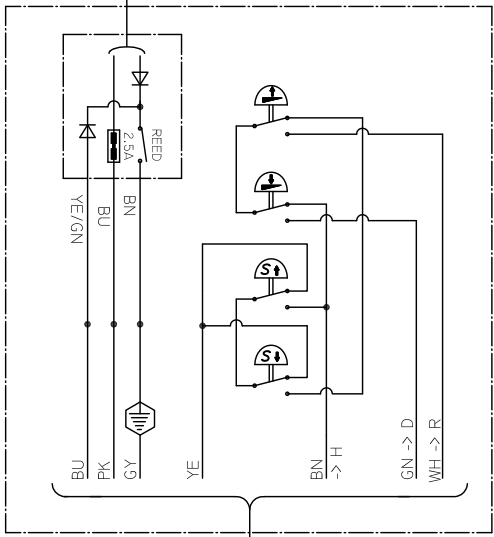
E04801.M.6.LE



9x1MM²



RELAYS FOR OAE503



OAE064 FOOT CTRL.  
+ REED SENOR

E0581.M.7.LE

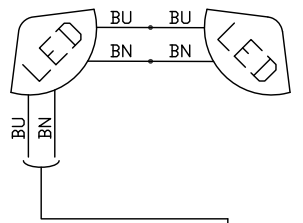
E0580.F.7.LE

CONNECTION

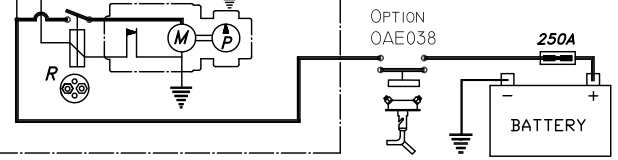
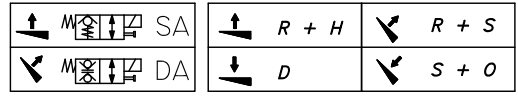
Pos.	CABLE N°
1	WH -> R
2	BN -> H
3	GN -> D
4	YE -> +24/12V EXTRA CTRL.
5	GY -> - EARTH
6	PK -> +24/12V
7	BU -> - EARTH

OAE065 CANNON PLUG

OAE200  
PLATFORM LIGHTS



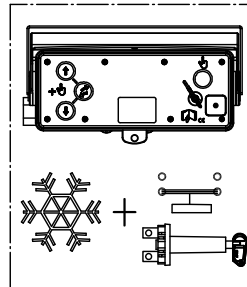
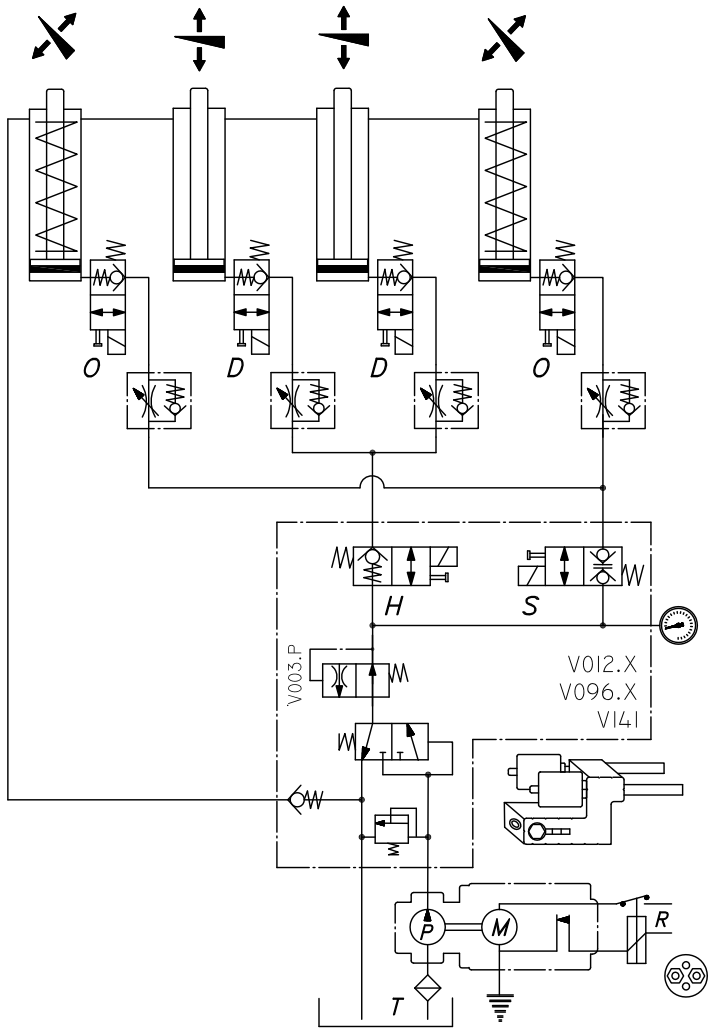
MECH - X



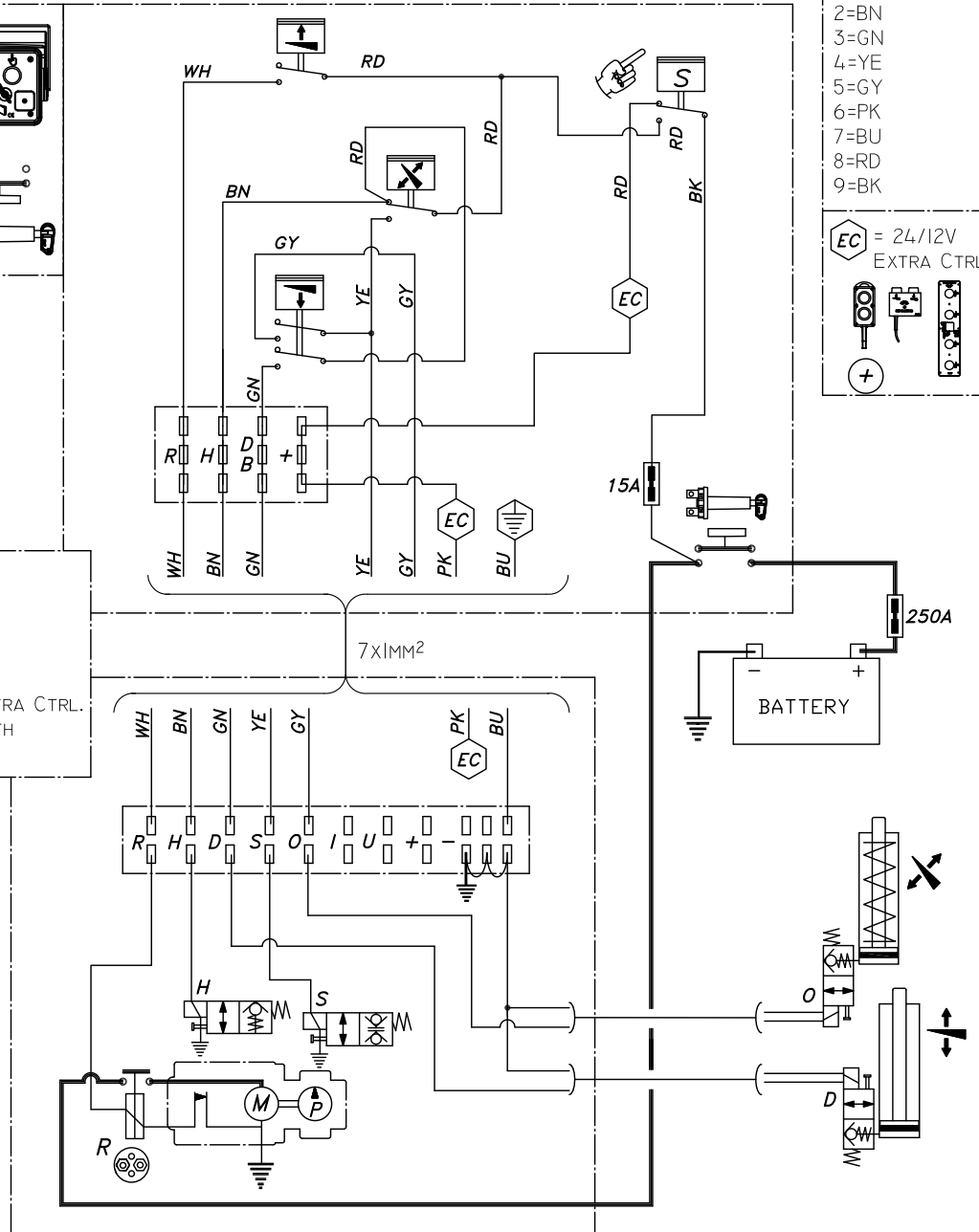


- 1=WH
- 2=BN
- 3=GN
- 4=YE
- 5=GY
- 6=PK
- 7=BU
- 8=RD
- 9=BK

EC = 24/12V  
EXTRA CTRL.



WH-> R  
BN-> H  
GN-> D  
YE-> S  
GY-> O  
PK-> + EXTRA CTRL.  
BU-> - EARTH

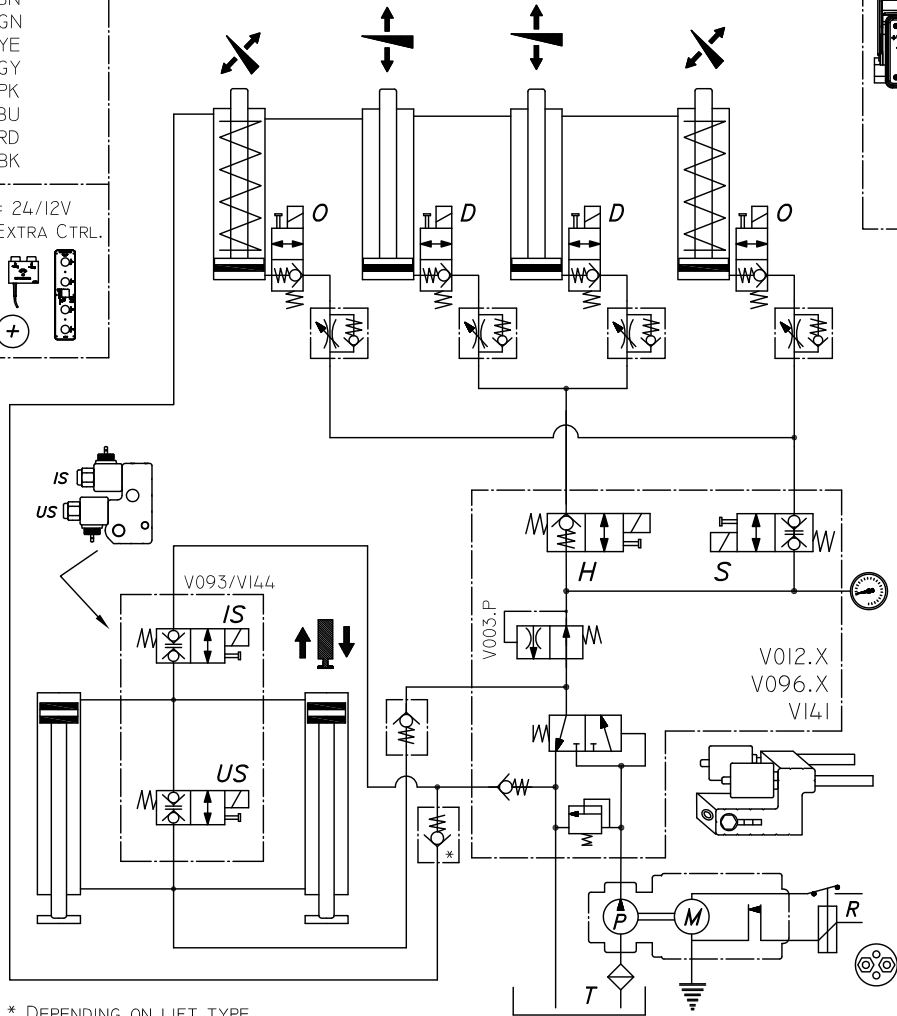
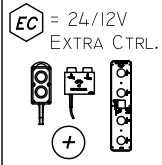


MECH - X


COLOUR CODES  
DIN 47100

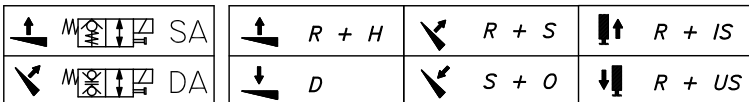
DH-LM\* / LC\* + STAB. LEGS

- 1=WH
- 2=BN
- 3=GN
- 4=YE
- 5=GY
- 6=PK
- 7=BU
- 8=RD
- 9=BK

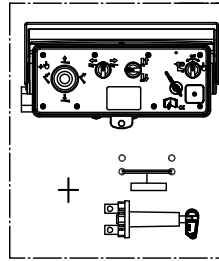


\* DEPENDING ON LIFT TYPE

MECH - X

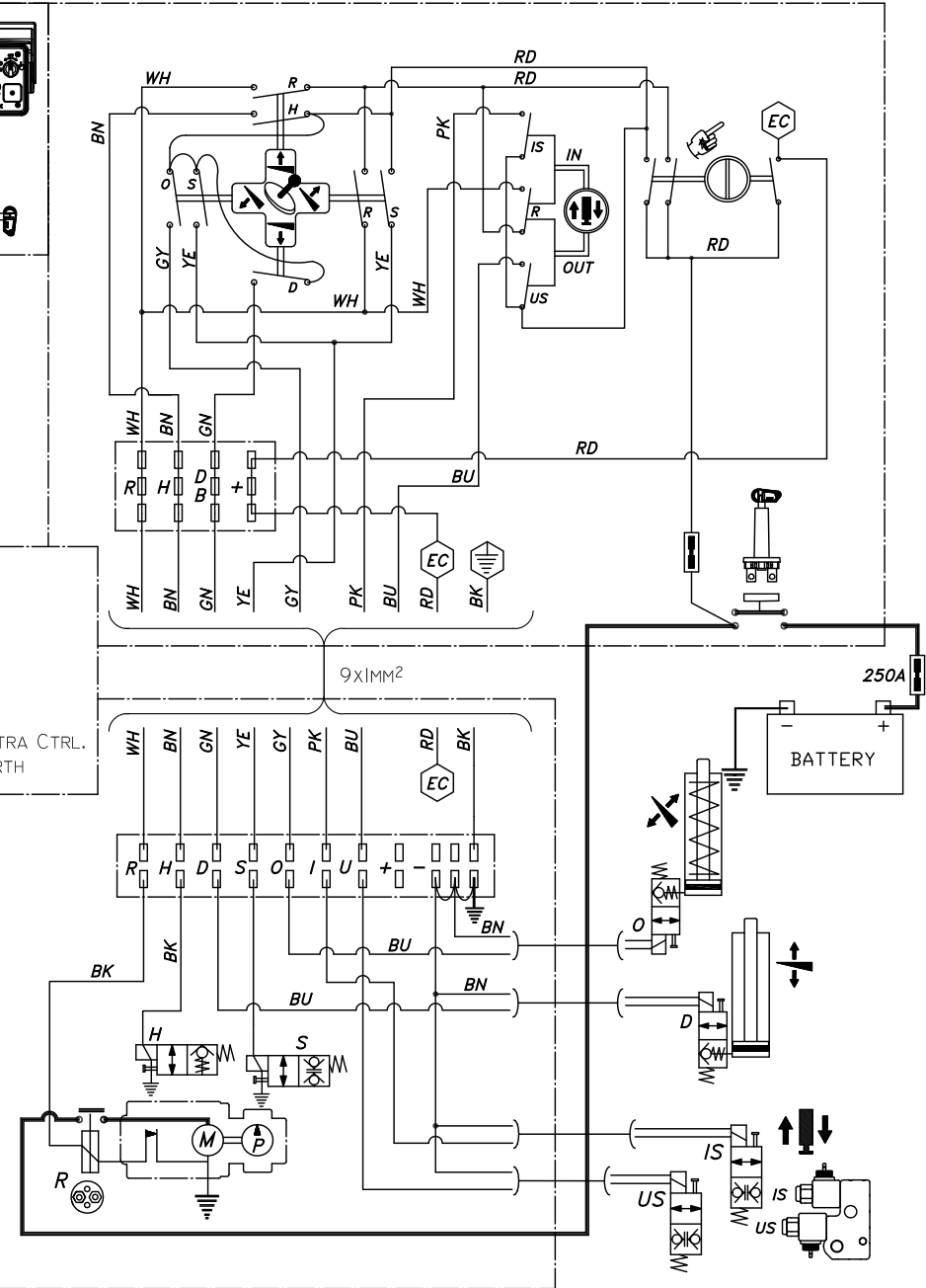


OAE030.BT



EXTERIOR CONTROL BOX REF. EDI13.T0 / EDI33.T0

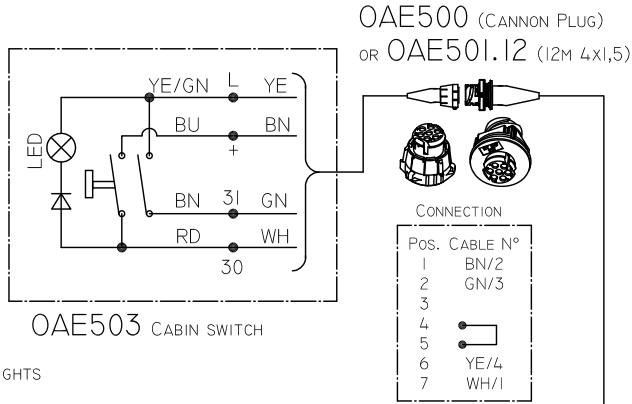
WH-> R  
BN-> H  
GN-> D  
YE-> S  
GY-> O  
PK-> IS  
BU-> USH  
RD-> + EXTRA CTRL.  
BK-> - EARTH



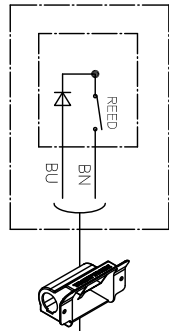
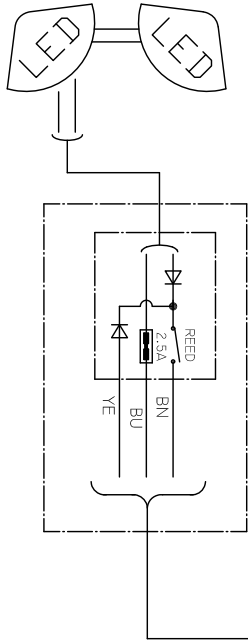
Type : DH-LM (MECH-X, + E2007) + HYDR. STABILISING LEGS - 2010/...  
Power pack : GT-LX-motor pump-...  
Valve : V012.X / V096.X / V141 + V093  
Plan N° : Sch\_LM ST-MECH-X-OAE030.BT-2013-01  
Date : 12/08/2013



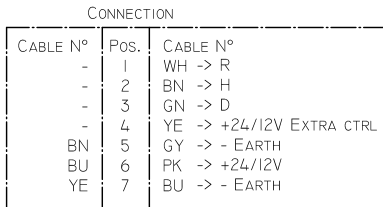
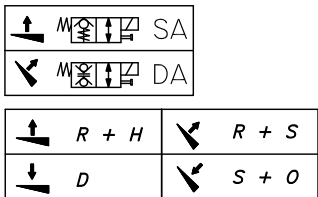
DH-LM + OAE502 + OAE500 +/- OAE200



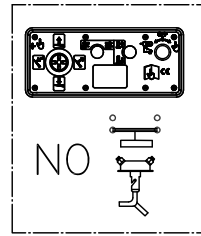
OAE200 - PLATFORM LIGHTS



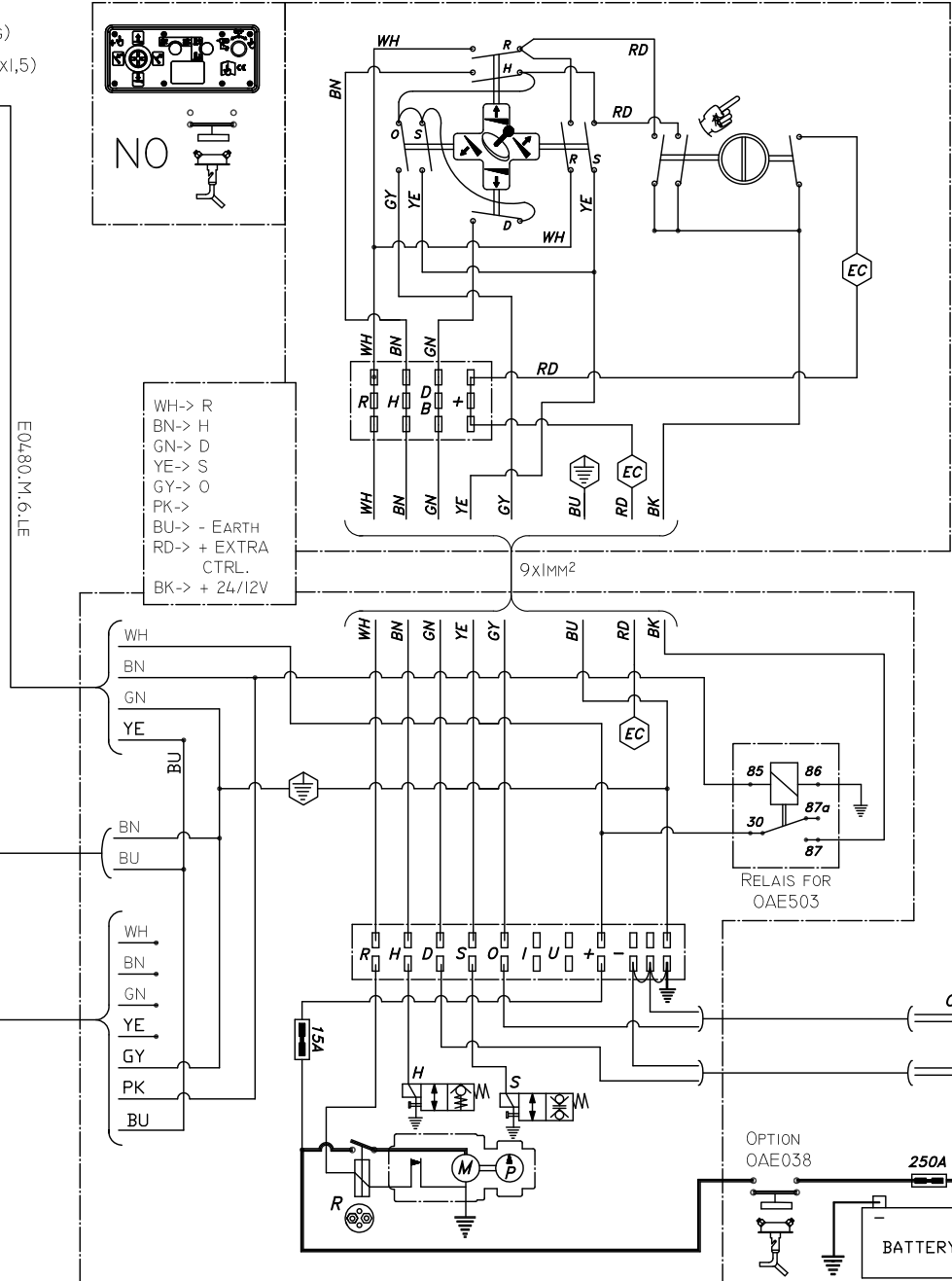
MECH - X



OAE030.ZT



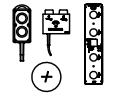
EXTERIOR CONTROL BOX REF. ECI03T0 (OR K0) / ECI23T0 (OR K0)



COLOUR CODES  
DIN 47100

- 1=WH
- 2=BN
- 3=GN
- 4=YE
- 5=GY
- 6=PK
- 7=BU
- 8=RD
- 9=BK

EC = 24/12V  
EXTRA CTRL.



Type : DH-LM (MECH.X) + reed sensor OAE502 - 2012/...

Power pack : GT-LX-motor pump-... Valve : V012.X / V096.X / V141

Plan N° : Sch\_LM-MECH.X-OAE030.ZT-OAE502-2013-05 Date : 16/01/2014



DH-LM ~ TRAILER + OAE064 + OAE505.06

OAE030.BT

EXTERIOR CONTROL BOX REF. EDI03.T0 / EDI23.T0

COLOUR CODES  
DIN 47100

- 1=WH
- 2=BN
- 3=GN
- 4=YE
- 5=GY
- 6=PK
- 7=BU
- 8=RD
- 9=BK

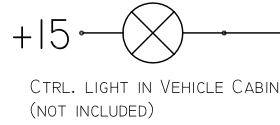
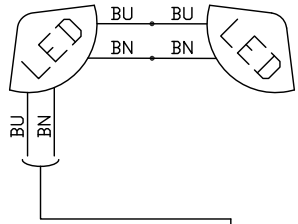
EC = 24/12V  
EXTRA CTRL.

Type : STANDARD LIFT DH-LM + OAE030.BT (MECH-X) - 2011/...  
 Power pack : GT-LX-motor pump-... Valve : V012.X / V096.X / V141  
 Plan N° : Sch\_LM-MECH-X-OAE030.BT-Trailer-2013-01

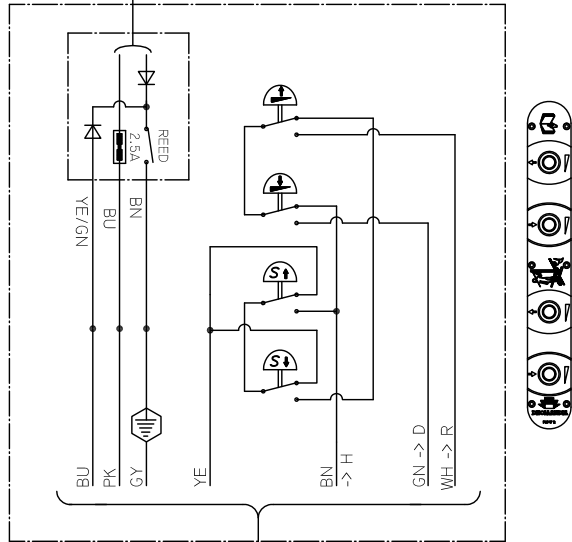
Date : 12/08/2013

DHOLLANDIA

OAE200 PLATFORM LIGHTS



OAE505.06  
6M 2X1MM<sup>2</sup>



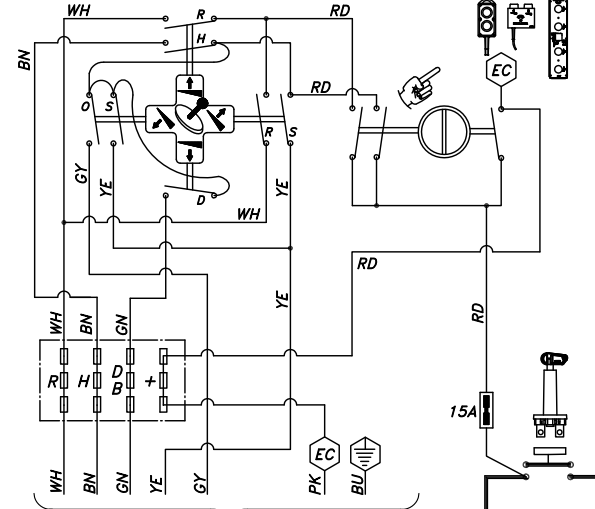
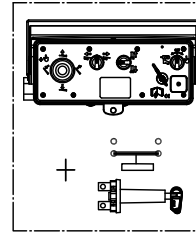
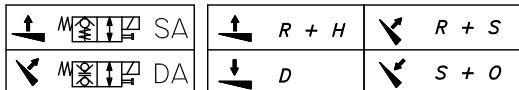
OAE064 FOOT CTRL.  
+ REED SENSOR

CONNECTION

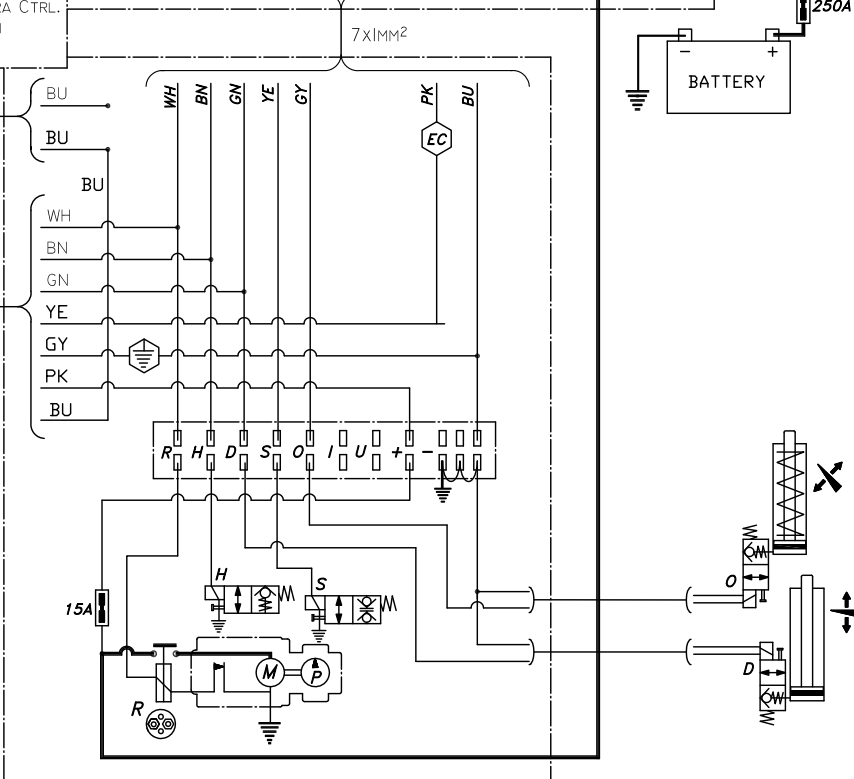
POS.	CABLE N°
1	WH -> R
2	BN -> H
3	GN -> D
4	YE -> +24/12V EXTRA CTRL.
5	GY -> - EARTH
6	PK -> +24/12V
7	BU -> - EARTH

OAE065 CANNON PLUG

MECH - X

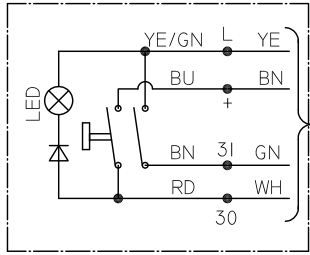
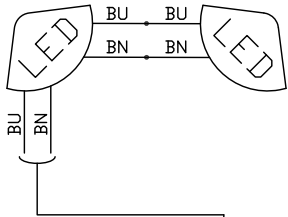


WH -> R  
 BN -> H  
 GN -> D  
 YE -> S  
 GY -> O  
 PK -> + EXTRA CTRL.  
 BU -> - EARTH



DH-LM ~ TRUCK + OAE030.ZT + OAE064 + OAE500 + OAE504

OAE200  
PLATFORM LIGHTS



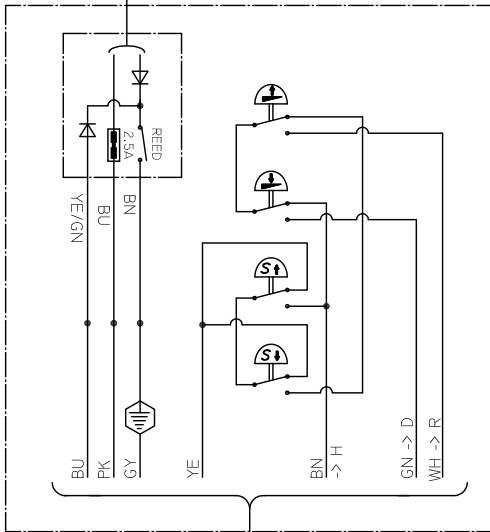
OAE503 CABIN SWITCH

OAE500 (CANNON PLUG)  
OR OAE501.12 (12M 4x1,5)



CONNECTION

Pos.	CABLE N°
1	BN/2
2	GN/3
3	
4	
5	YE/4
6	
7	WH/1



OAE064 FOOT CTRL.  
+ REED SENOR

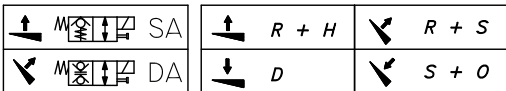
E0581.M.7.LE

CONNECTION

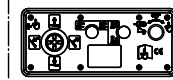
Pos.	CABLE N°
1	WH -> R
2	BN -> H
3	GN -> D
4	YE -> +24/12V EXTRA CTRL.
5	GY -> - EARTH
6	PK -> +24/12V
7	BU -> - EARTH

OAE065 CANNON PLUG

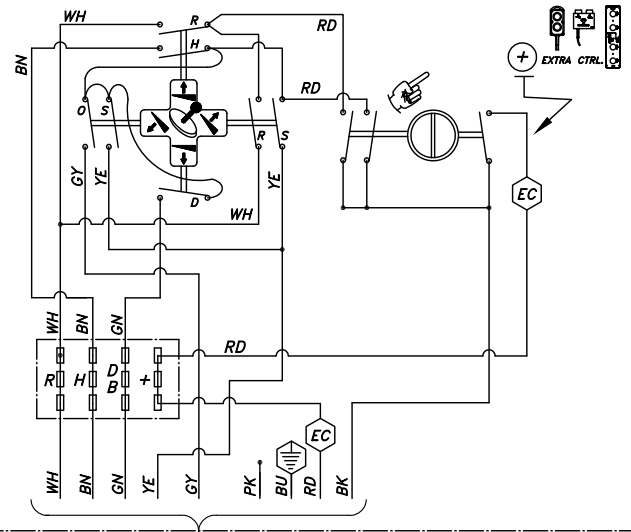
MECH - X



OAE030.ZT EXTERIOR CONTROL REF. EC103T0 (OR K0) / EC123T0 (OR K0)



NO

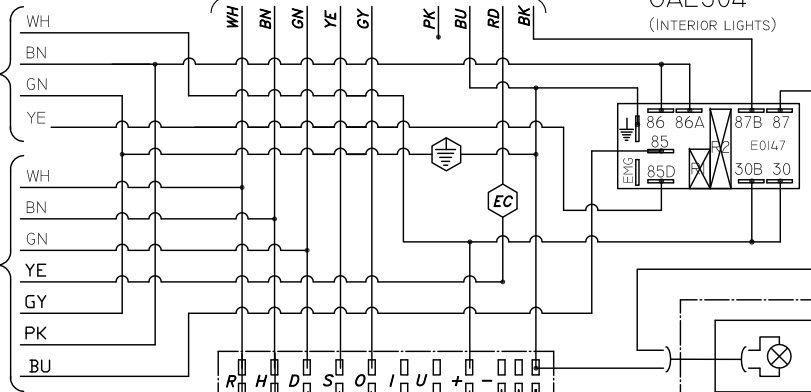


E0480.M.6.LE

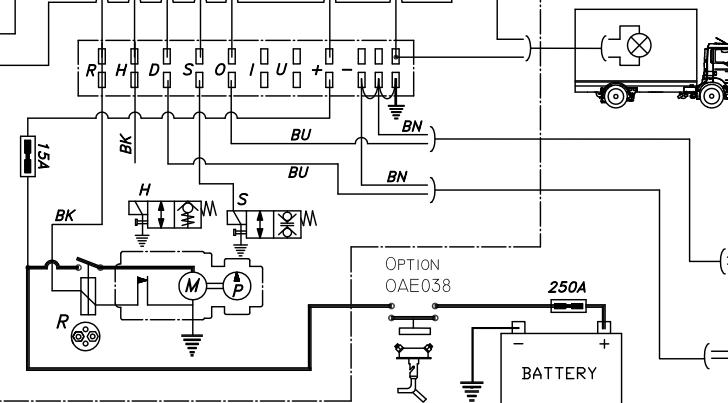
WH -> R
BN -> H
GN -> D
YE -> S
GY -> O
PK ->
BU -> - EARTH
RD -> + EXTRA CTRL.
BK -> + 24/12V

9x1MM²

OAE504  
(INTERIOR LIGHTS)



TO BRIDGE R2,  
DISCONNECT RD WIRE  
FROM 30B AND  
CONNECT TO EMG

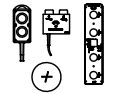


OPTION  
OAE038

COLOUR CODES  
DIN 47100

- 1=WH
- 2=BN
- 3=GN
- 4=YE
- 5=GY
- 6=PK
- 7=BU
- 8=RD
- 9=BK

EC = 24/12V  
EXTRA CTRL.



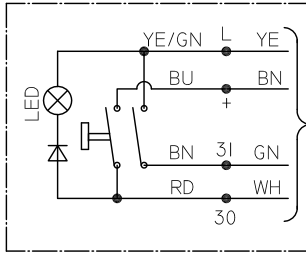
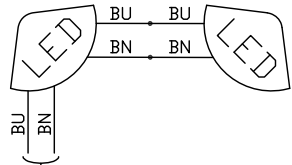
Type : DHLM~TRUCK + OAE504 relay for interior body lights - 2012/...  
Power pack : GT-LX-motor pump-...  
Valve : V012.X / V096.X / V141  
Plan N° : Sch\_LM-MECH.X-OAE030.ZT-OAE504-Truck-2013-02update : 20/01/2014

DHOLLANDIA



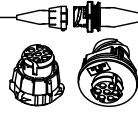
DH-LM ~ TRUCK + OAE030.ZP + OAE064 + OAE500

OAE200  
PLATFORM LIGHTS



OAE503 CABIN SWITCH

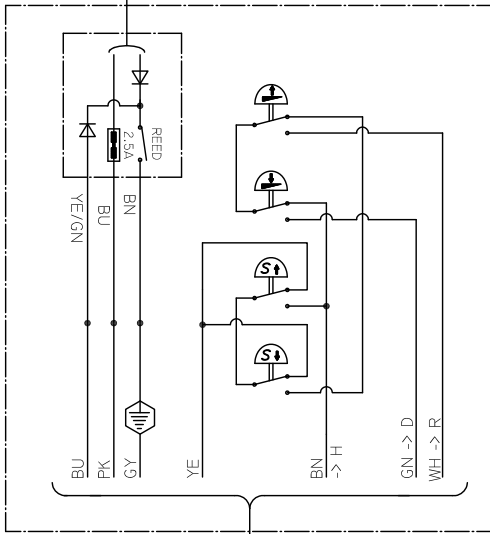
OAE500 (CANNON PLUG)  
OR  
OAE501.12 (12M 4x1,5)



CONNECTION

Pos.	CABLE N°
1	BN/2
2	GN/3
3	
4	
5	
6	YE/4
7	WH/1

E04801.M.6.LE



OAE064 FOOT CTRL.  
+ REED SENOR

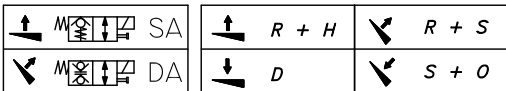
E0581.M.7.LE

CONNECTION

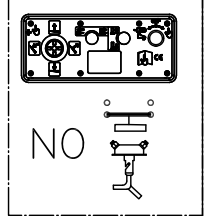
Pos.	CABLE N°
1	WH -> R
2	BN -> H
3	GN -> D
4	YE -> +24/12V EXTRA CTRL.
5	GY -> - EARTH
6	PK -> +24/12V
7	BU -> - EARTH

OAE065 CANNON PLUG

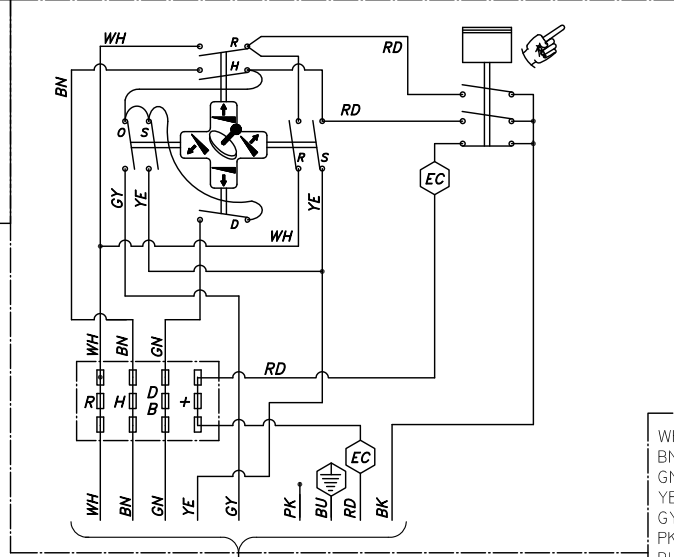
MECH - X



OAE030.ZP



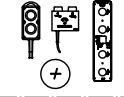
EXTERIOR CONTROL REF. EC103.P0 / EC123.P0



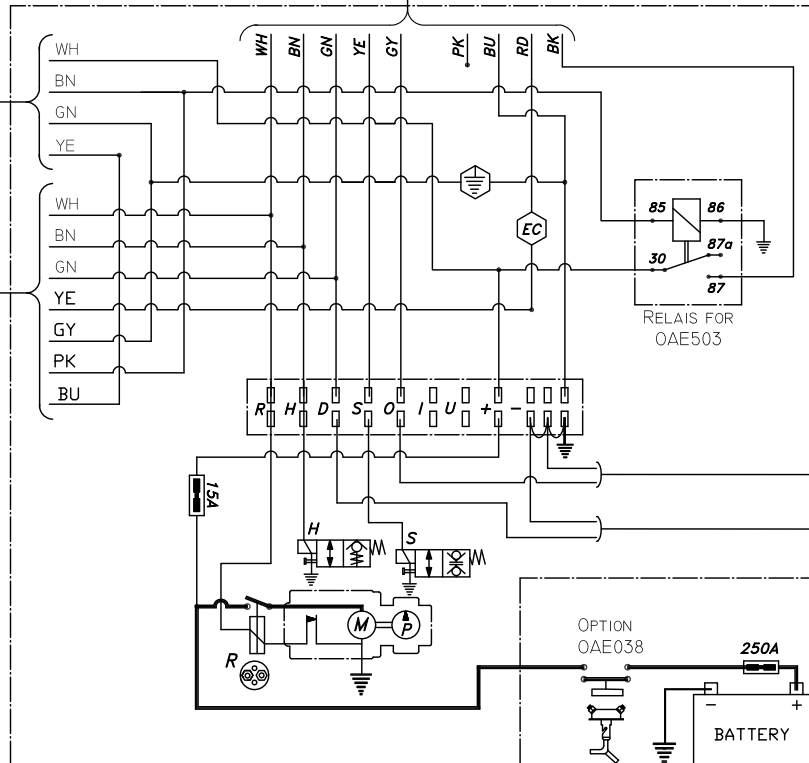
COLOUR CODES  
DIN 47100

- 1=WH
- 2=BN
- 3=GN
- 4=YE
- 5=GY
- 6=PK
- 7=BU
- 8=RD
- 9=BK

EC = 24/12V  
EXTRA CTRL.

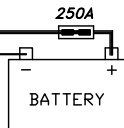


WH -> R  
BN -> H  
GN -> D  
YE -> S  
GY -> O  
PK ->  
BU -> - EARTH  
RD -> + EXTRA CTRL.  
BK -> + 24/12V



RELAIS FOR  
OAE0503

OPTION  
OAE038



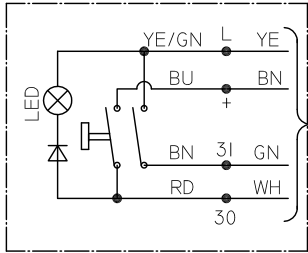
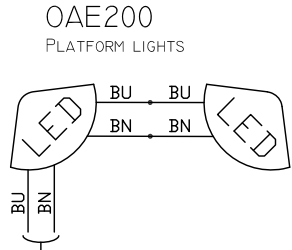
Type : DHLM~TRUCK + OAE500 VEHH interface - 2012/...

Power pack : GT-LX-motor pump-... Valve : V012.X / V096.X / V141

Plan N° : Sch\_LM-MECH.X-OAE030.ZP-Truck-2013-05 Date : 15/01/2014

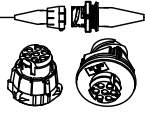
DHOLLANDIA

DH-LM ~ TRUCK + OAE030.ZT + OAE064 + OAE500



OAE503 CABIN SWITCH

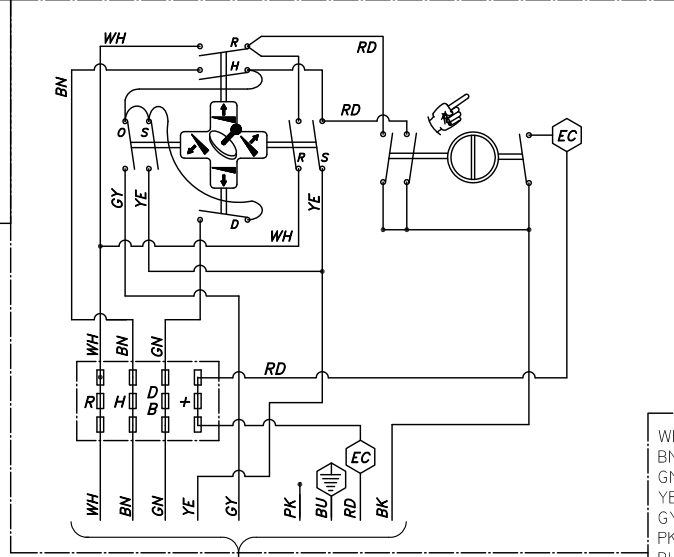
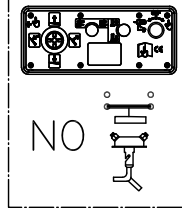
OAE500 (CANNON PLUG)  
OR  
OAE501.12 (12M 4x1,5)



CONNECTION

Pos.	CABLE N°
1	BN/2
2	GN/3
3	
4	
5	
6	YE/4
7	WH/1

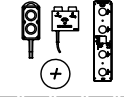
OAE030.ZT EXTERIOR CONTROL REF. EC103.T0 (OR K0) / EC123.T0 (OR K0)



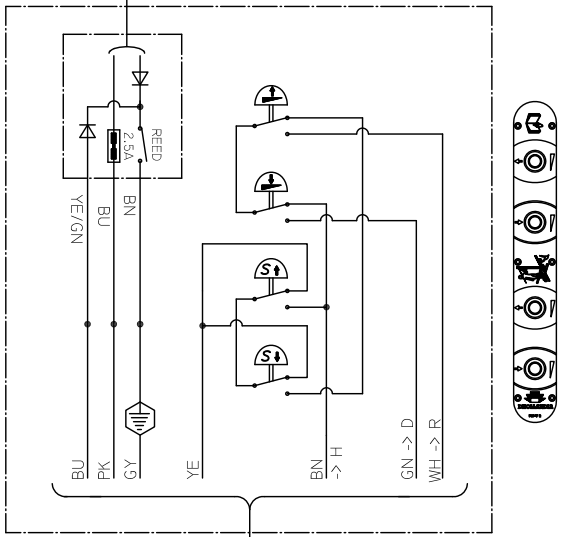
COLOUR CODES  
DIN 47100

- 1=WH
- 2=BN
- 3=GN
- 4=YE
- 5=GY
- 6=PK
- 7=BU
- 8=RD
- 9=BK

EC = 24/12V  
EXTRA CTRL.



WH-> R  
BN-> H  
GN-> D  
YE-> S  
GY-> O  
PK->  
BU-> - EARTH  
RD-> + EXTRA  
CTRL.  
BK-> + 24/12V



OAE064 FOOT CTRL.  
+ REED SENOR

E0581.M.7.LE

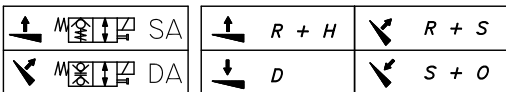
E0580.F.7.LE

CONNECTION

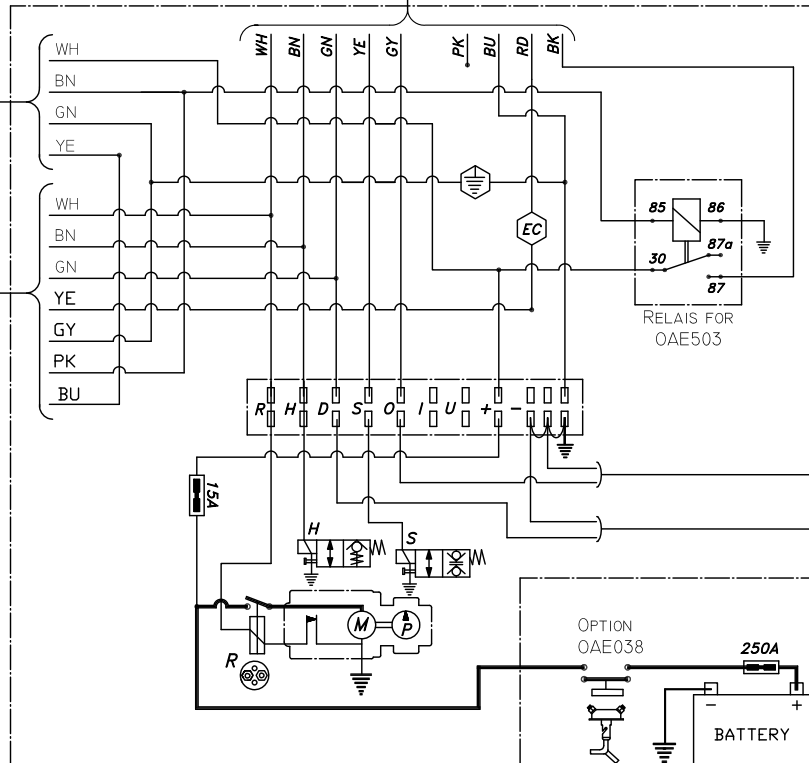
Pos.	CABLE N°
1	WH -> R
2	BN -> H
3	GN -> D
4	YE -> +24/12V EXTRA CTRL.
5	GY -> - EARTH
6	PK -> +24/12V
7	BU -> - EARTH

OAE065 CANNON PLUG

MECH - X

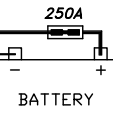


E0480.M.6.LE



RELAYS FOR  
OAE503

OPTION  
OAE038



Type : DHLM~TRUCK + OAE500 VEHH interface - 2012/...

Power pack : GT-LX-motor pump-... Valve : V012.X / V096.X / V141

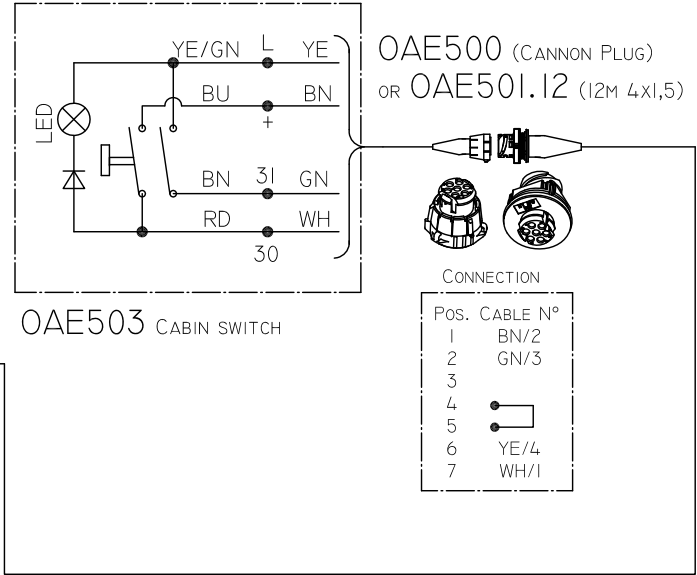
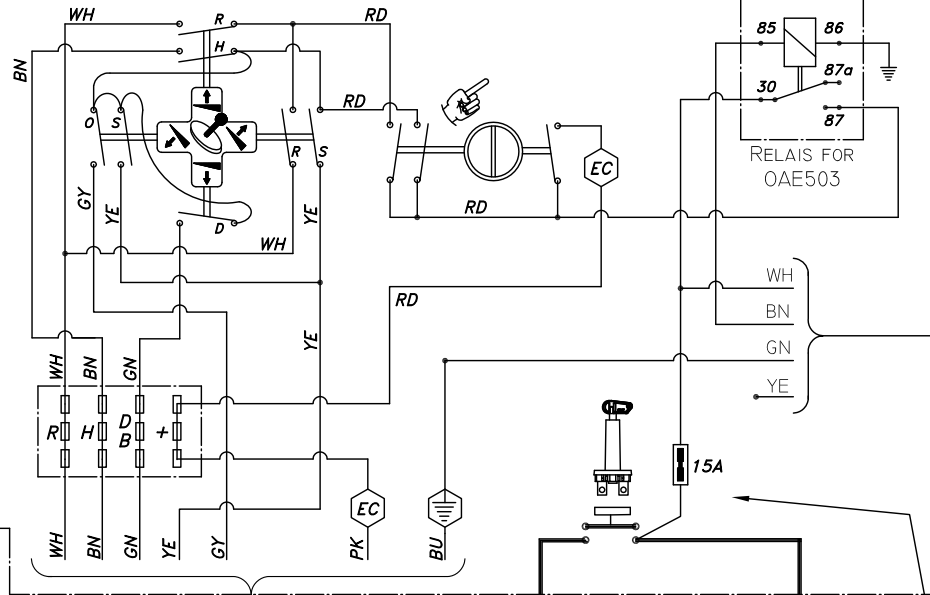
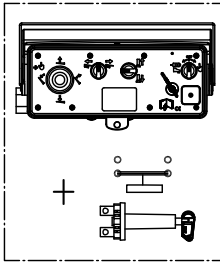
Plan N° : Sch\_LM-MECH.X-OAE030.ZT-Truck-2013-05 Date : 15/01/2014

DHOLLANDIA

DH-LM\* / LC\* + OAE030.BT + OAE500 BUT NO (!! ) REED SENSOR FUNCTION

OAE030.BT

EXTERIOR CONTROL BOX REF. EDI03.T0 / EDI23.T0



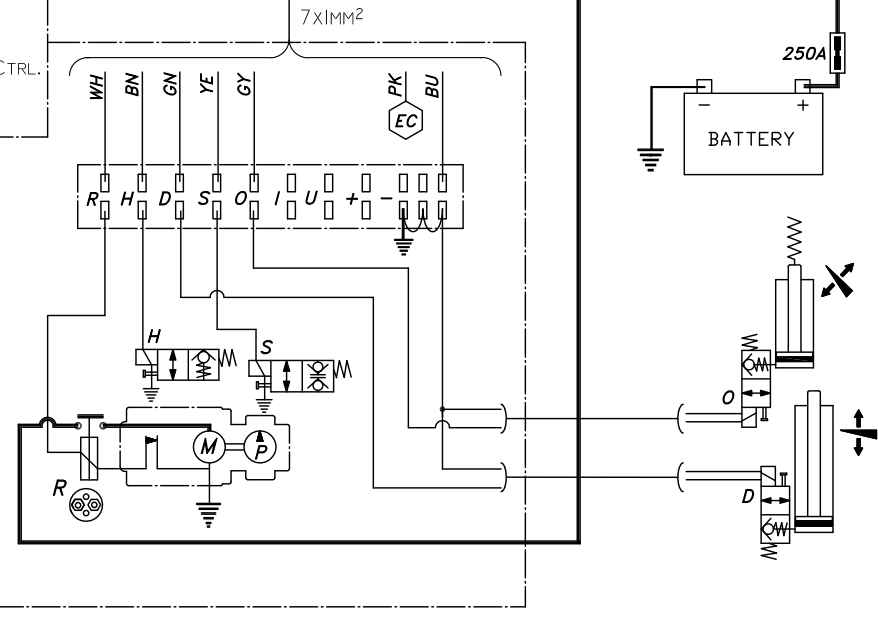
CONNECTION

POS.	CABLE N°
1	BN/2
2	GN/3
3	
4	
5	
6	YE/4
7	WH/1

WH-> R  
 BN-> H  
 GN-> D  
 YE-> S  
 GY-> O  
 PK-> + EXTRA CTRL.  
 BU-> - EARTH



+12/24V ON INCOMING POLE OF STARTER SOLENOID !!

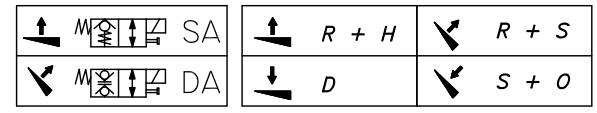


COLOUR CODES  
 DIN 47100

- 1=WH
- 2=BN
- 3=GN
- 4=YE
- 5=GY
- 6=PK
- 7=BU
- 8=RD
- 9=BK

EC = 24/12V  
 EXTRA CTRL.

MECH - X



Type : Standard control box OAE030.BT + OAE500 cabin switch  
 Power pack : GT-LX-motor pump-...  
 Valve : V012.X / V096.X / V141.X  
 Plan N° : Sch\_LM-MECH-X-OAE030.BT-OAE500-2014-01  
 Date : 08/07/2014  
 DHOLLANDIA

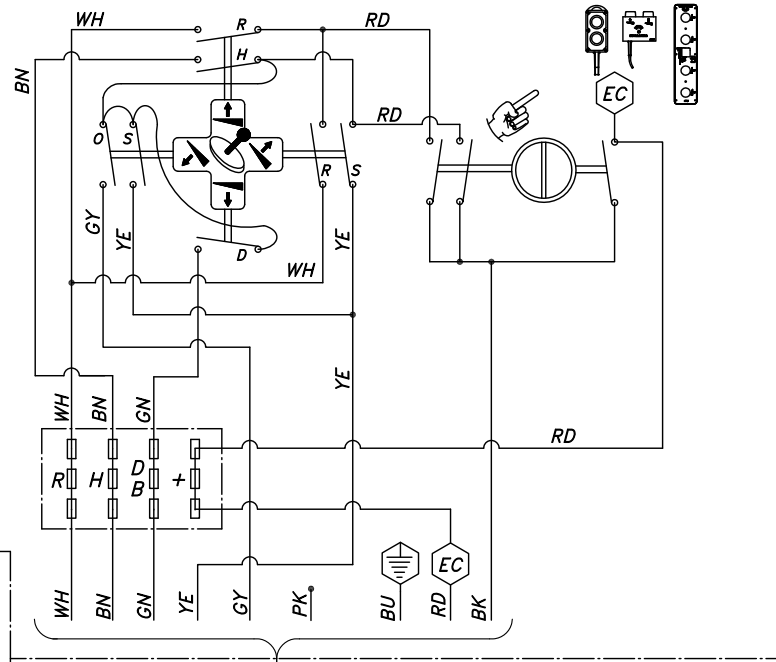
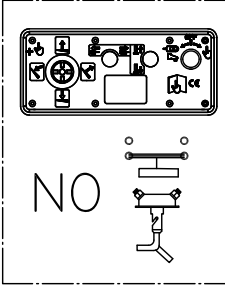
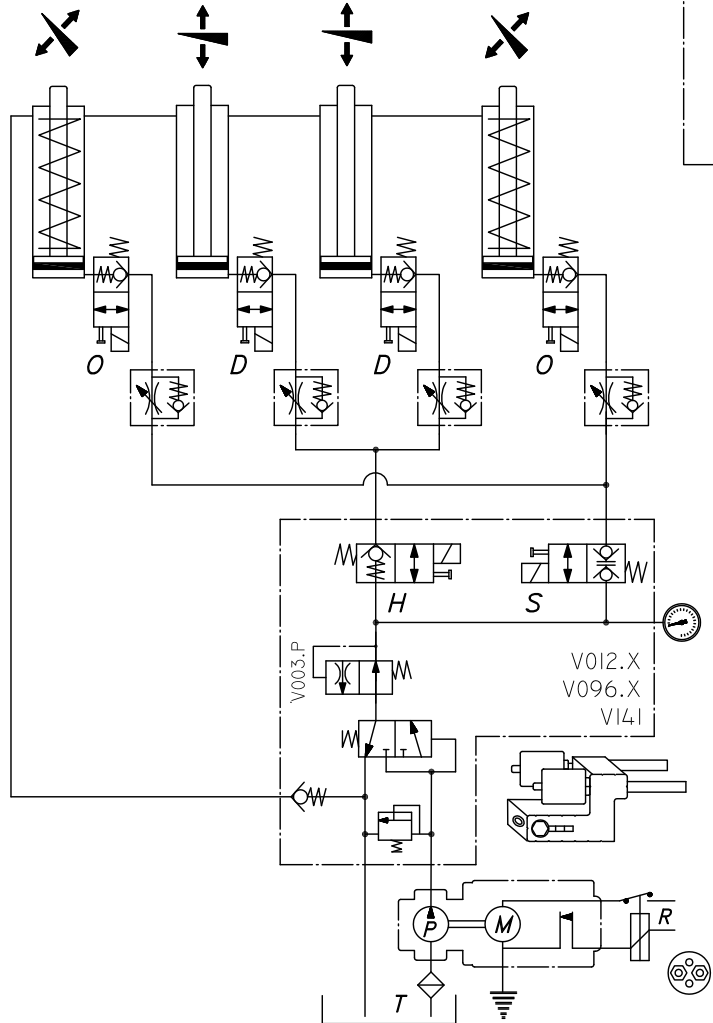


DH-LM\* / LC\*

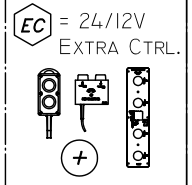
OAE030.ZT

EXTERIOR CONTROL BOX REF. EC103K0 (OR T0) / EC123K0 (OR T0)

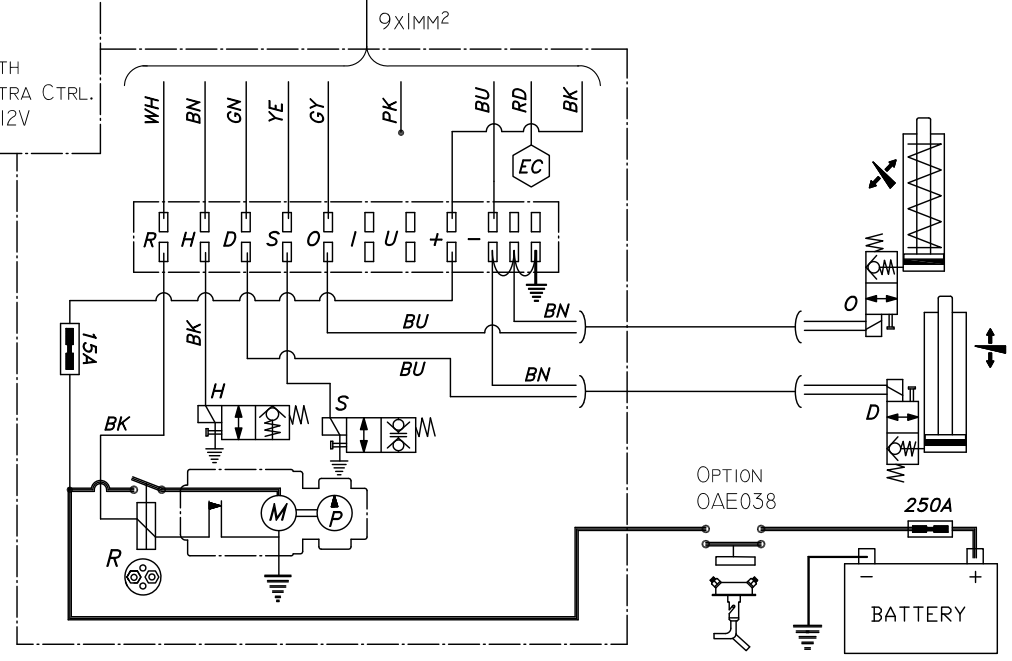
COLOUR CODES  
DIN 47100



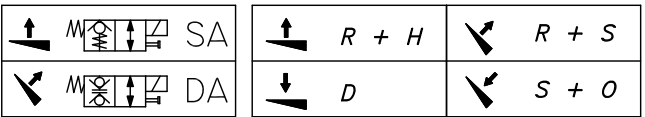
- 1=WH
- 2=BN
- 3=GN
- 4=YE
- 5=GY
- 6=PK
- 7=BU
- 8=RD
- 9=BK



WH-> R  
BN-> H  
GN-> D  
YE-> S  
GY-> O  
PK->  
BU-> - EARTH  
RD-> + EXTRA CTRL.  
BK-> + 24/12V



MECH - X



Type : STANDARD LIFT DH-LM (MECH-X, no E068) - 2009/...

Power pack : GT-LX-motor pump-... Valve : V012.X / V096.X / V141.X

Plan N° : Sch\_LM-MECH-X-OAE030.ZT-2013-01 Date : 12/08/2013

DHOLLANDIA

DH-LM\* / LC\*

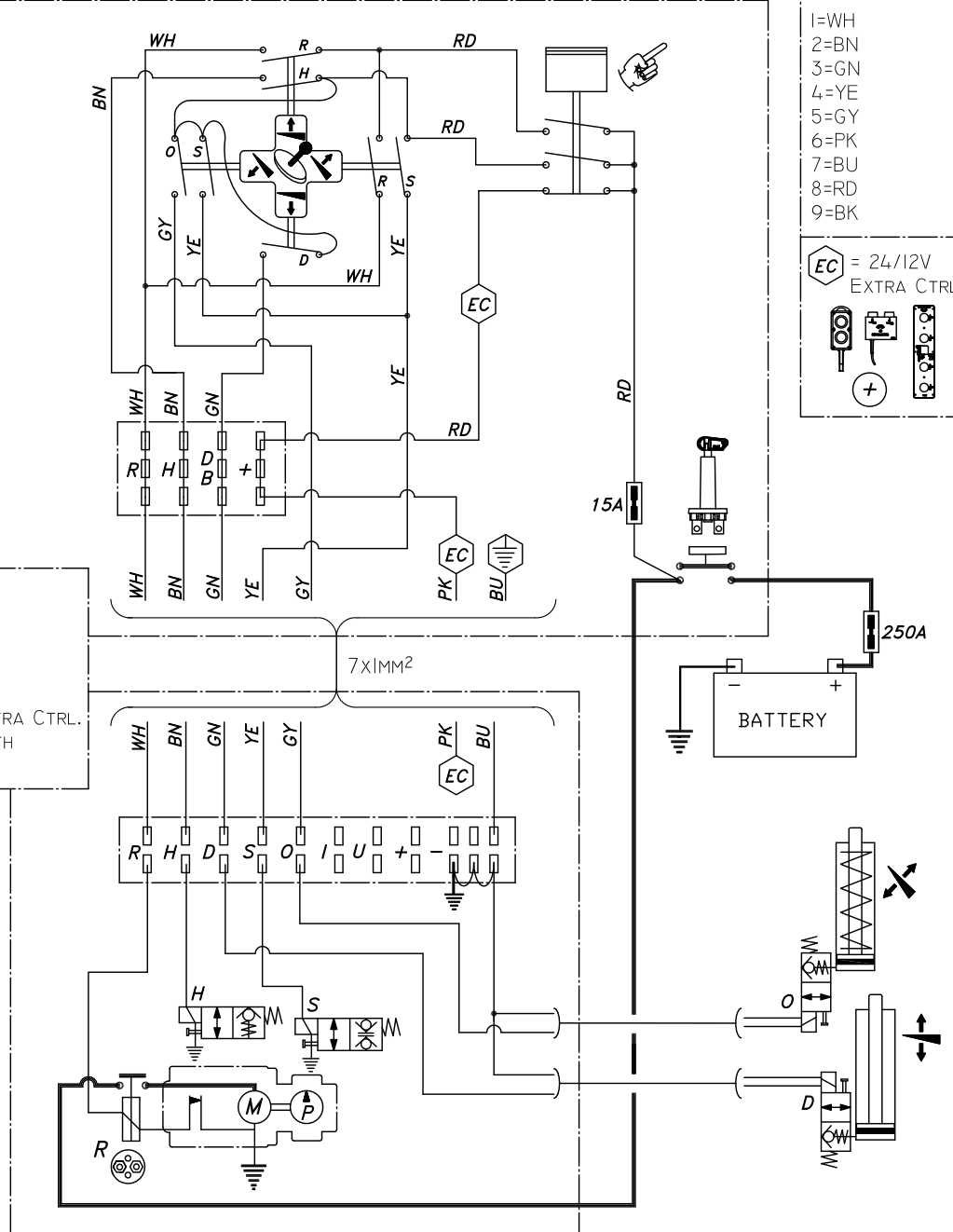
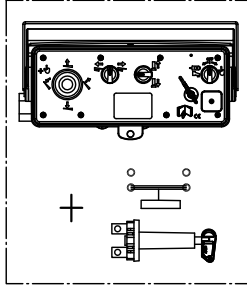
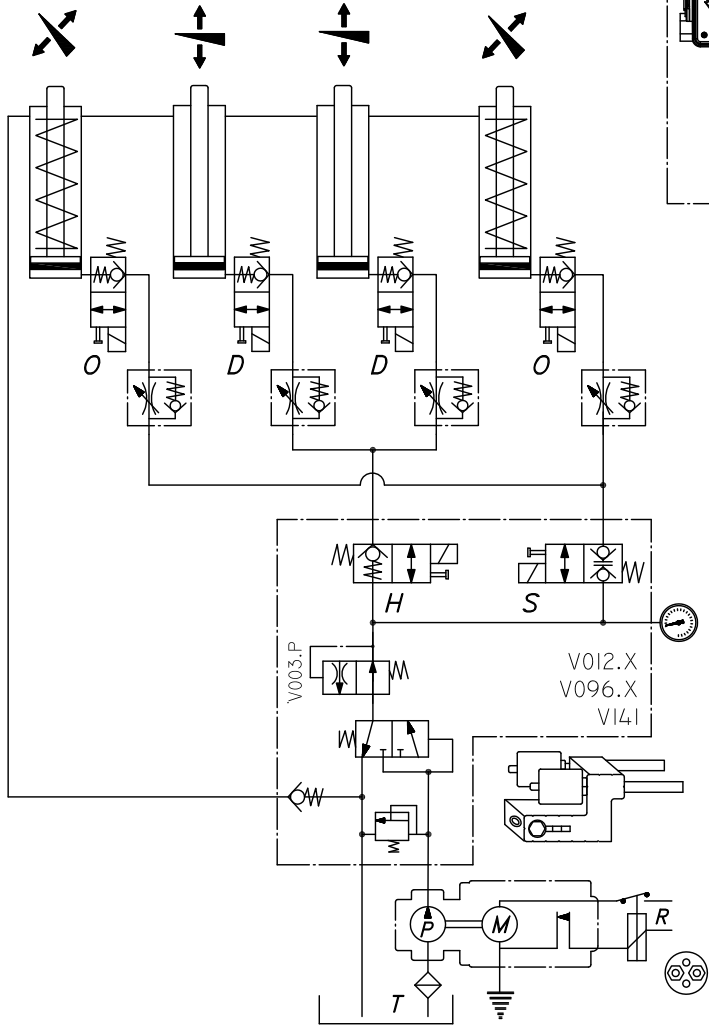
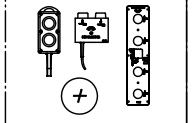
OAE030.BP

EXTERIOR CONTROL BOX REF. EDI03.P0 / EDI23.P0

COLOUR CODES  
DIN 47100

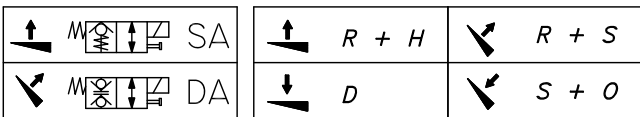
- 1=WH
- 2=BN
- 3=GN
- 4=YE
- 5=GY
- 6=PK
- 7=BU
- 8=RD
- 9=BK

EC = 24/12V  
EXTRA CTRL.



WH -> R  
BN -> H  
GN -> D  
YE -> S  
GY -> O  
PK -> + EXTRA CTRL.  
BU -> - EARTH

MECH - X



Type : STANDARD LIFT DH-LM (MECH-X + E2007) - 2010/...

Power pack : GT-LX-motor pump-... Valve : V012.X / V096.X / V141.X

Plan N° : Sch\_LM-MECH-X-OAE030.BP-2013-01 Date : 12/08/2013

DHOLLANDIA

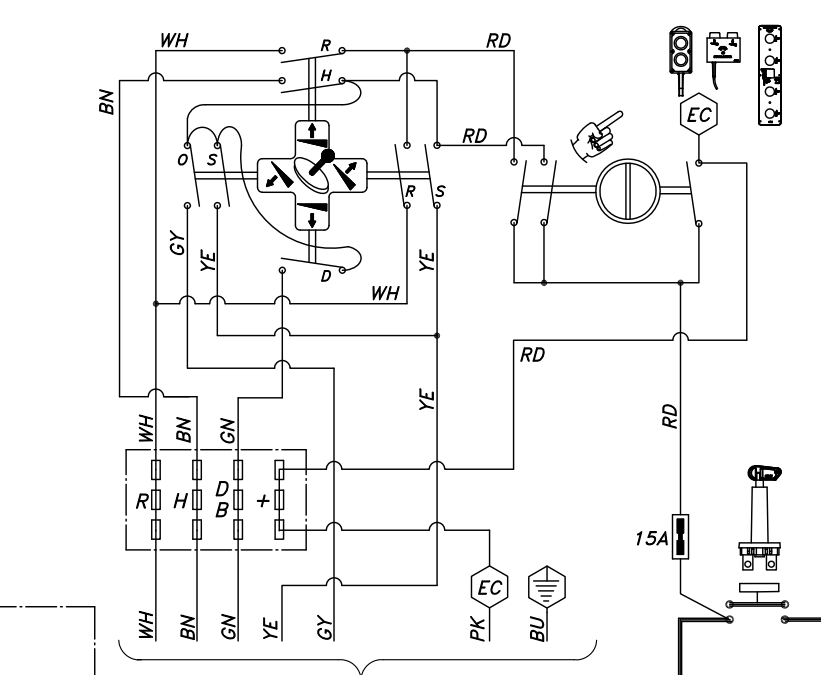
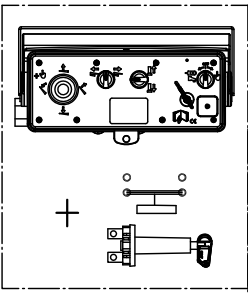
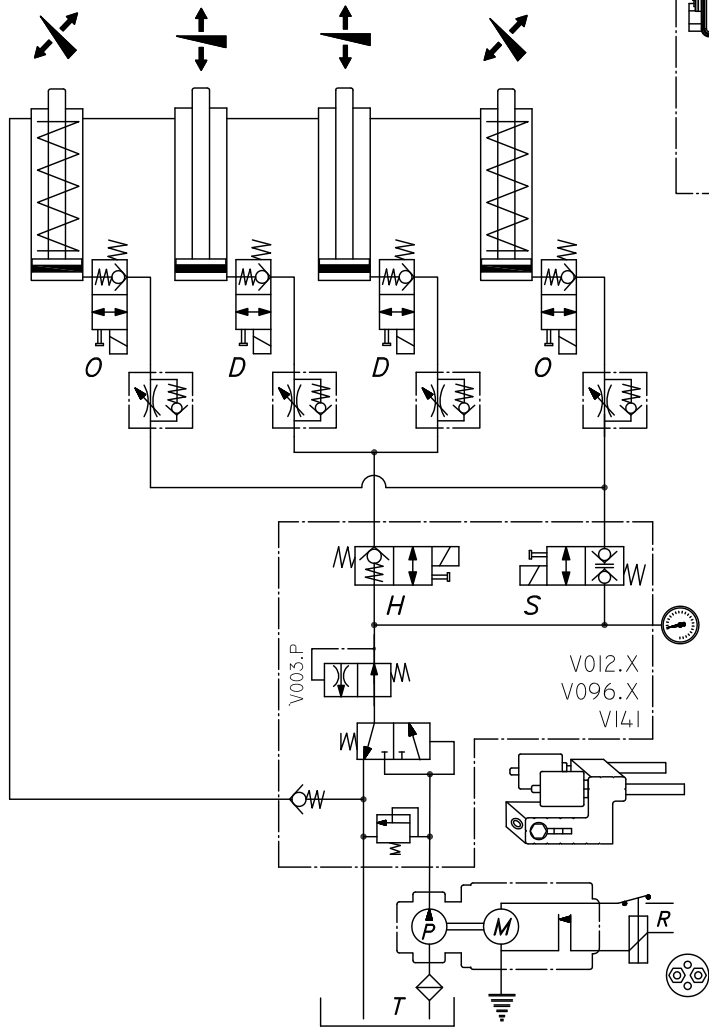
DH-LM\* / LC\*

OAE030.BT

EXTERIOR CONTROL BOX REF. EDI03.T0 / EDI23.T0

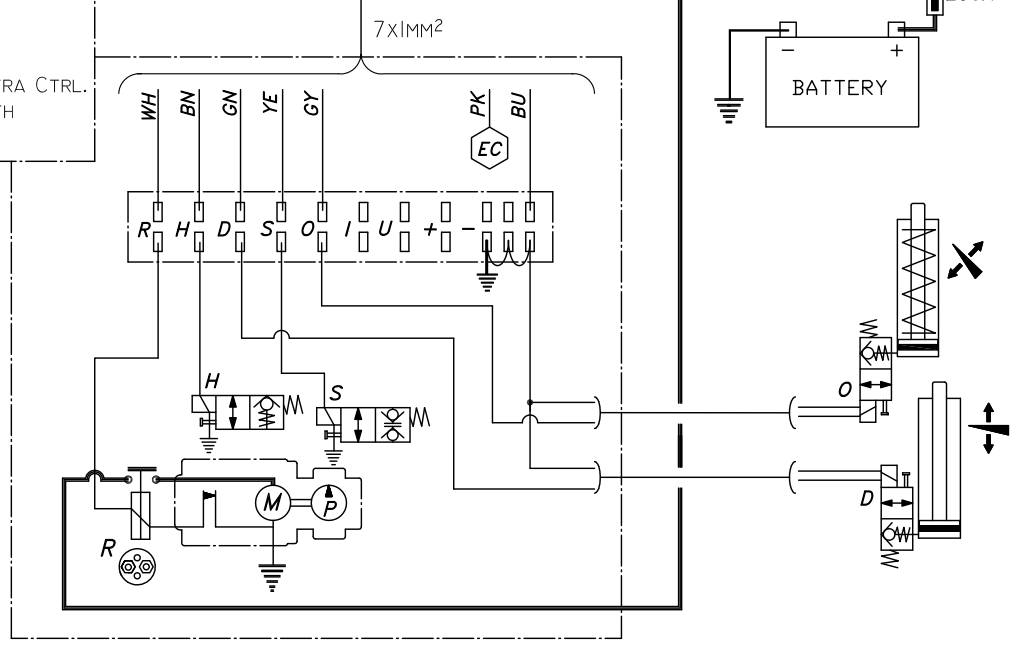
COLOUR CODES  
DIN 47100

- 1=WH
  - 2=BN
  - 3=GN
  - 4=YE
  - 5=GY
  - 6=PK
  - 7=BU
  - 8=RD
  - 9=BK
- EC = 24/12V  
EXTRA CTRL.



WH-> R  
BN-> H  
GN-> D  
YE-> S  
GY-> O  
PK-> + EXTRA CTRL.  
BU-> - EARTH

MECH - X

Type : STANDARD LIFT DH-LM (MECH-X + E2007) - 2010/...

Power pack : GT-LX-motor pump-... Valve : V012.X / V096.X / V141.X

Plan N° : Sch\_LM-MECH-X-OAE030.BT-2013-01 Date : 12/08/2013

DHOLLANDIA