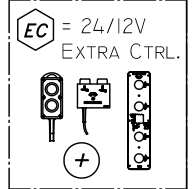


DH-RM.25 + OAH025.2 ~ DAD2

OAE041.BP EXTERIOR CONTROL BOX REF. EA149.P0

COLOUR CODES  
DIN 47100

- 1=WH
- 2=BN
- 3=GN
- 4=YE
- 5=GY
- 6=PK
- 7=BU
- 8=RD
- 9=BK



Type : TUCK-AWAY LIFT DH-RM.25 + Power Down function - 2014/...

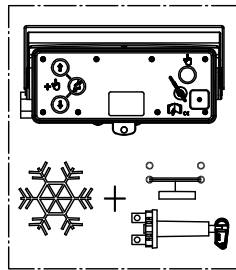
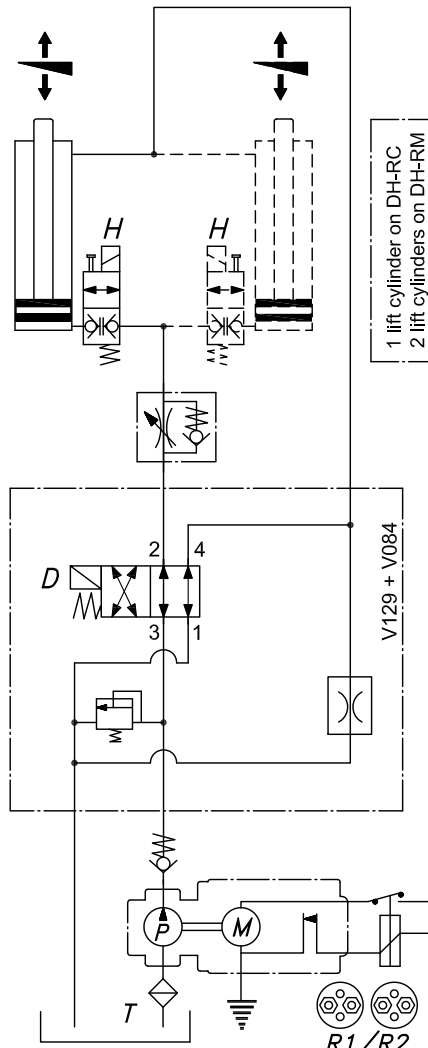
Power pack : Valve : V129 + V084

Plan N° : Sch\_RM25-DAD2-OAE041.BP-2014-01

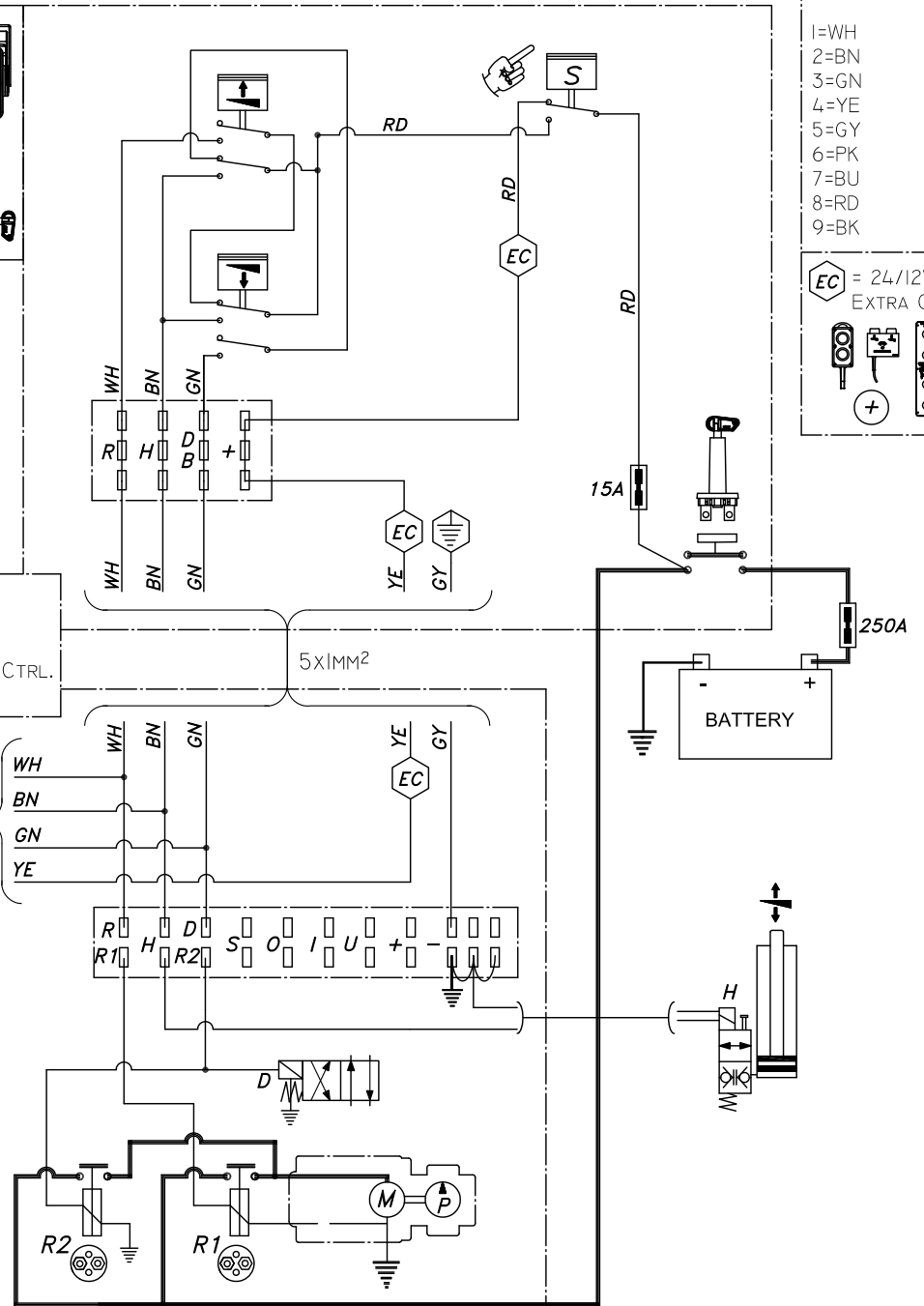
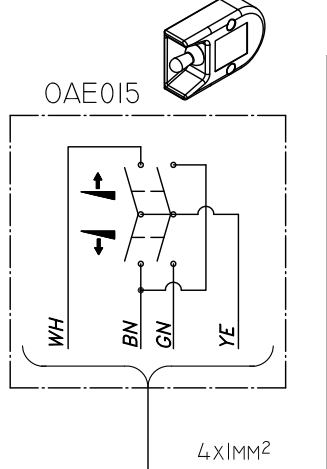
Date : 24/02/2014

DHOLLANDIA

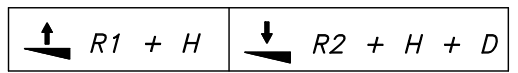
1 lift cylinder on DH-RC  
2 lift cylinders on DH-RM



WH-> RI  
BN-> H  
GN-> D + R2  
YE -> + EXTRA CTRL.  
GY-> - EARTH



DAD2 DH-RM.25  
OAH025.2 - DA DOWN

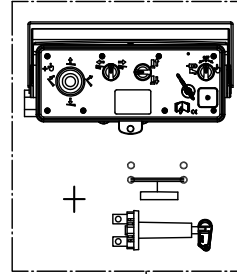
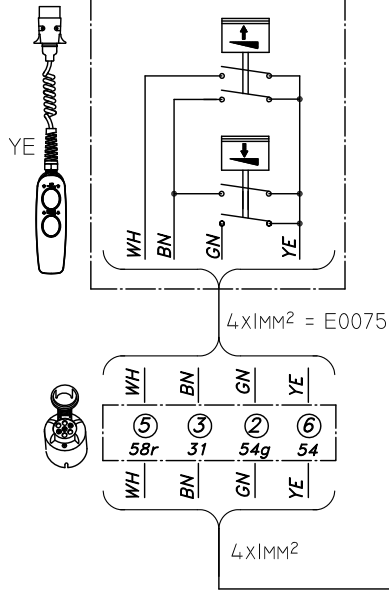
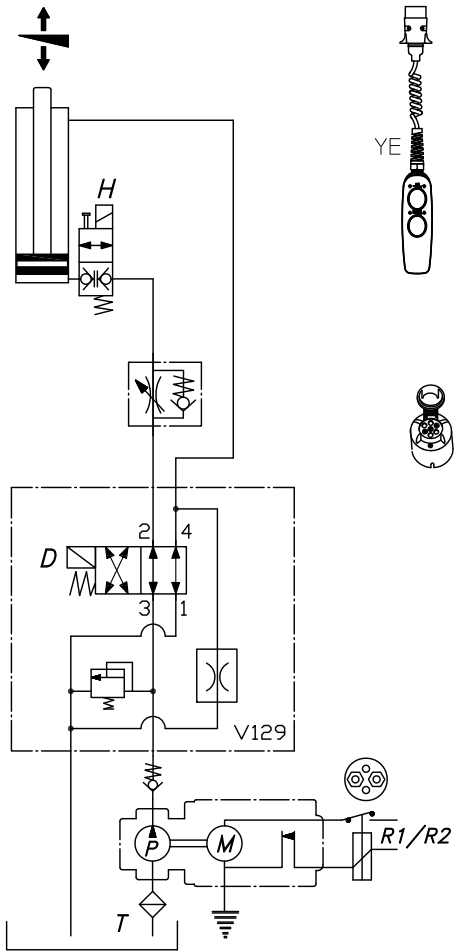


DH-RM.25 + OAH025.2 ~ DAD2

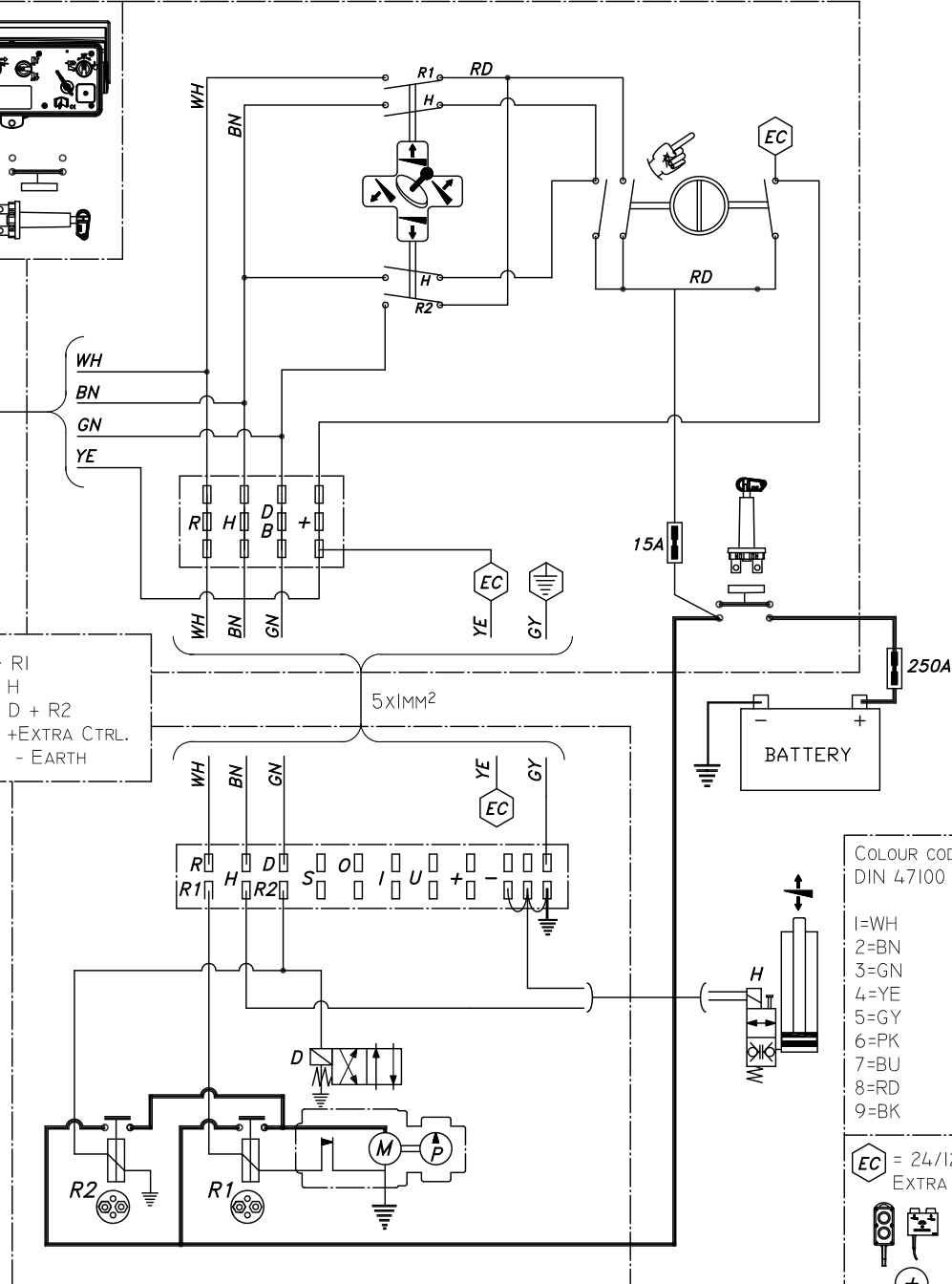
OAE030.BT

EXTERIOR CONTROL BOX REF. EDI49.T0

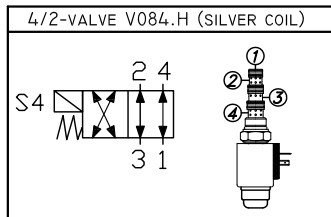
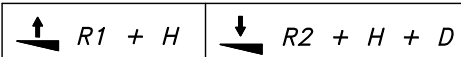
E0783.H



WH-> R1  
BN-> H  
GN-> D + R2  
YE-> +EXTRA CTRL.  
GY-> - EARTH



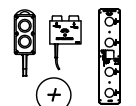
DAD2 DH-RM.25  
OAH025.2 - DA DOWN



COLOUR CODES  
DIN 47100

- 1=WH
- 2=BN
- 3=GN
- 4=YE
- 5=GY
- 6=PK
- 7=BU
- 8=RD
- 9=BK

EC = 24/12V  
EXTRA CTRL.



DH-RC.15 + OAH025.1 ~ DADI

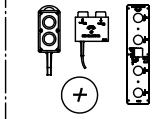
OAE041.BP

EXTERIOR CONTROL BOX REF. EAI49.P0

COLOUR CODES  
DIN 47100

- 1=WH
- 2=BN
- 3=GN
- 4=YE
- 5=GY
- 6=PK
- 7=BU
- 8=RD
- 9=BK

EC = 24/12V  
EXTRA CTRL.



Type : TUCK-AWAY LIFT DH-RC.15 + Power Down function - 2014/...

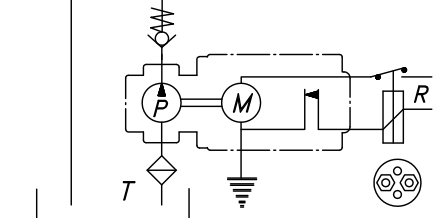
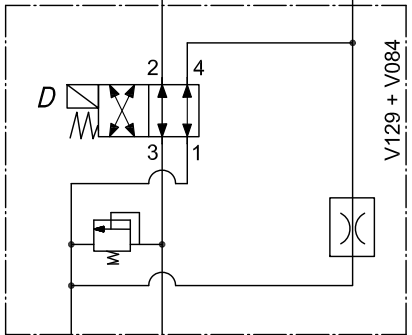
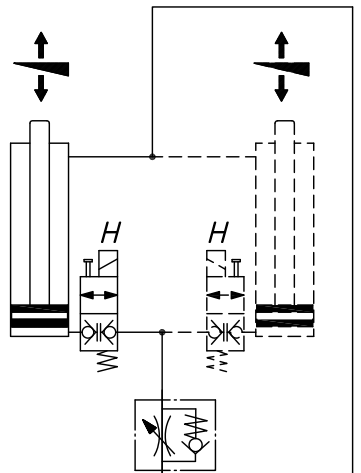
Power pack : Valve : V129 + V084

Plan N° : Sch\_RC15-DAD1-OAE041.BP-2014-01

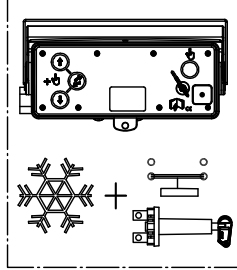
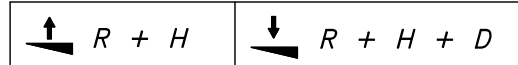
Date : 24/02/2014

DHOLLANDIA

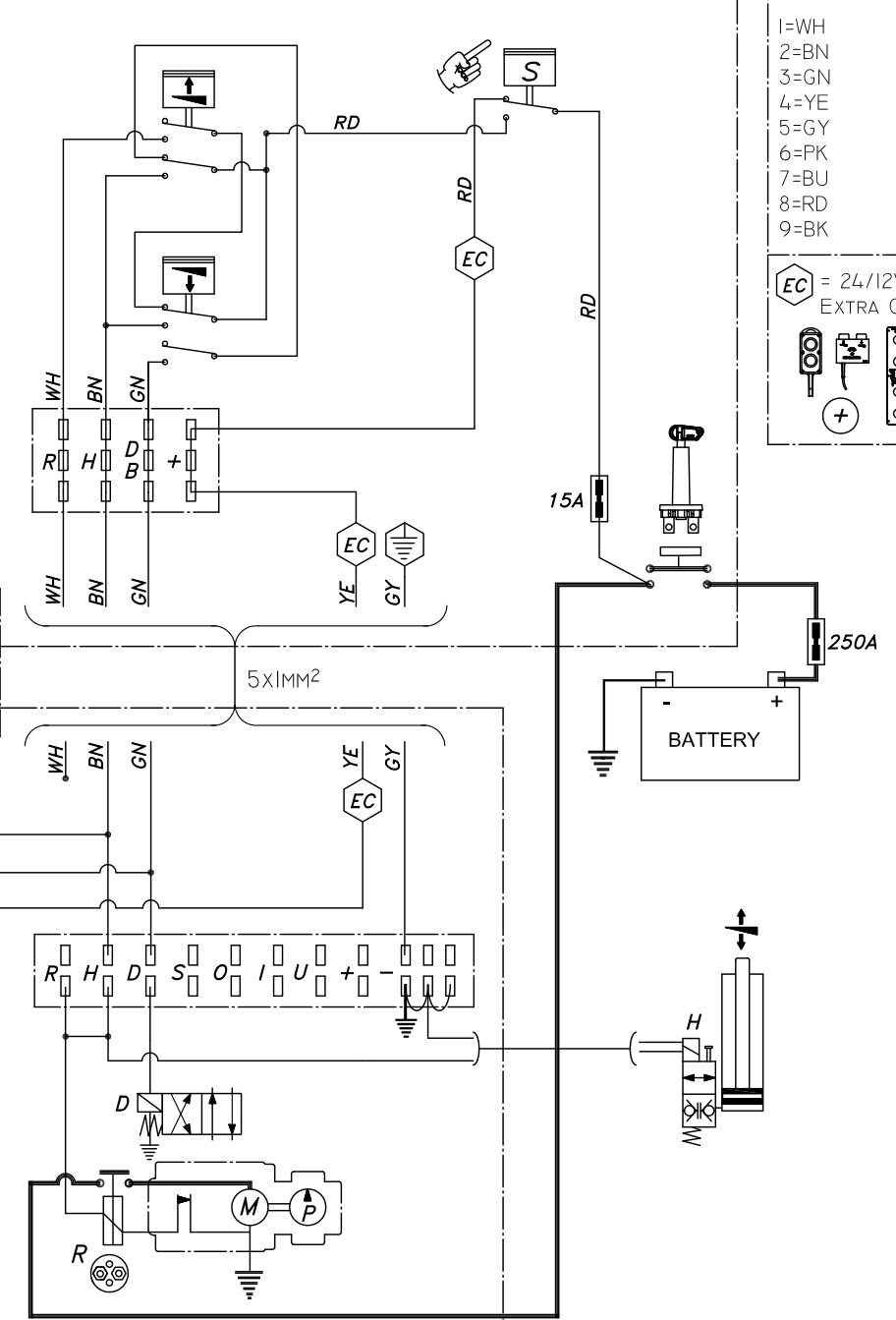
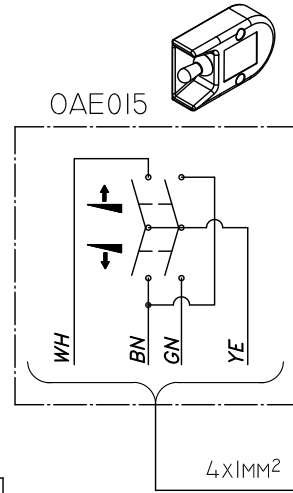
1 lift cylinder on DH-RC  
2 lift cylinders on DH-RM

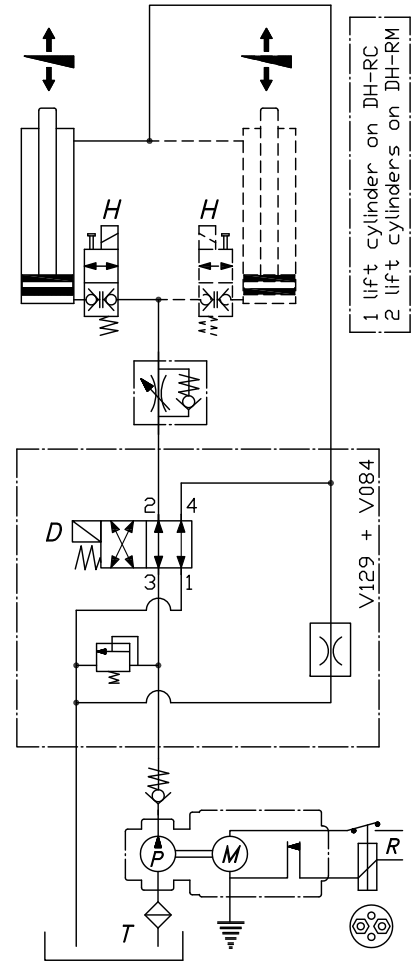


DADI DH-RC.15  
OAH025.1 - DA DOWN

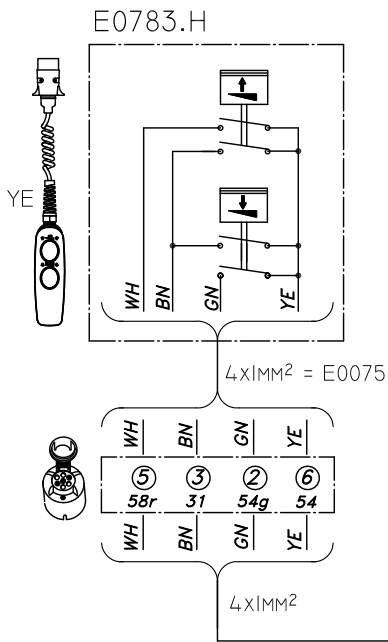
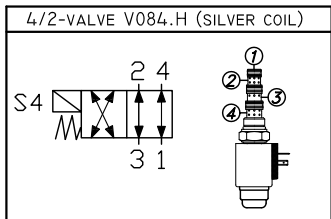
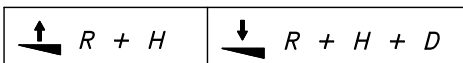


WH->  
BN-> H + R  
GN-> D  
YE -> + EXTRA CTRL.  
GY-> - EARTH



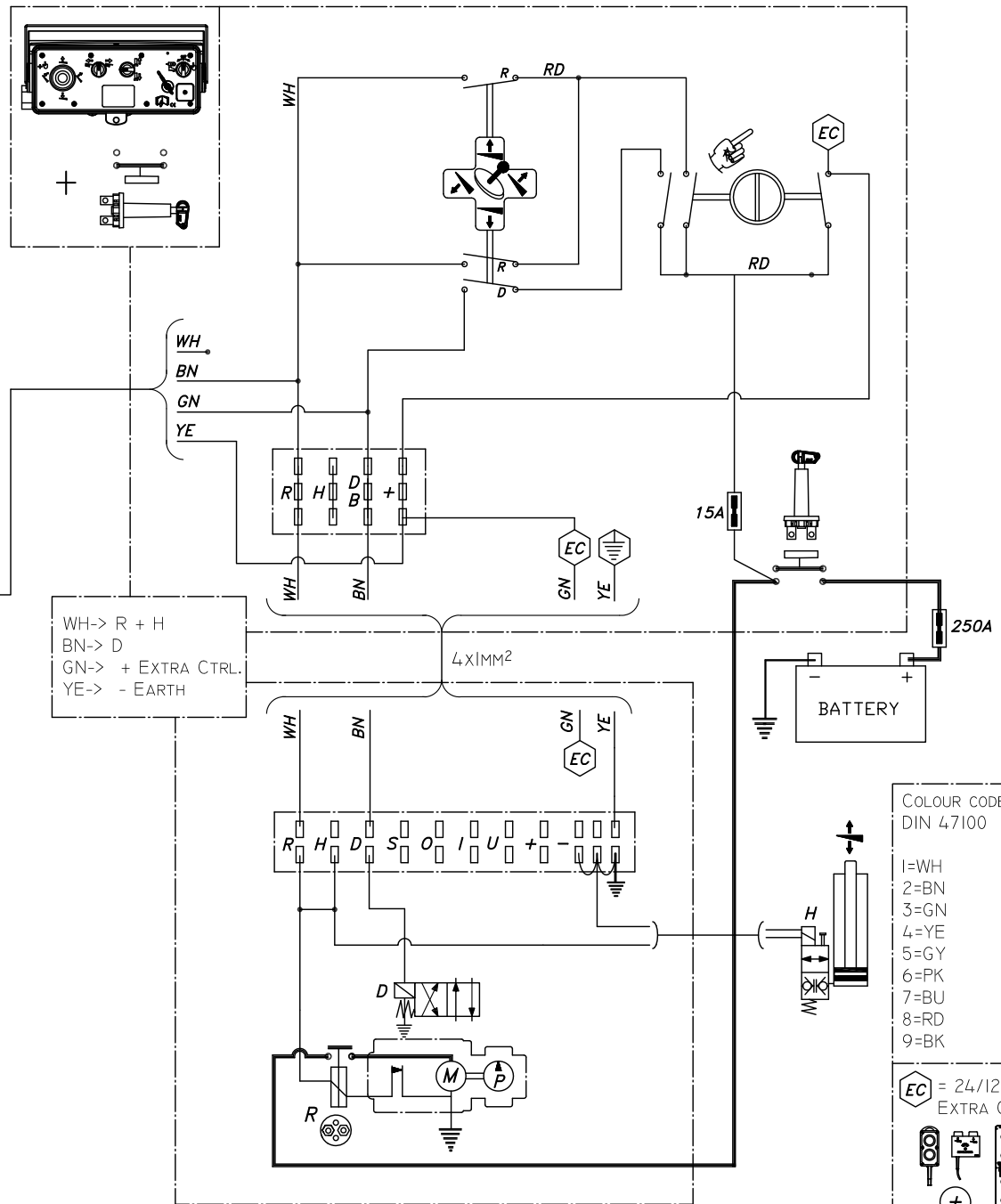


DADI DH-RC.15  
OAH025.1 - DA DOWN



OAE030.BT

EXTERIOR CONTROL BOX REF. EDI49.T0.C2504



Type : Tuck-away DH-RP / RC + POWER DOWN + OAE030.BT - 2013/...

Power pack : Valve : V0129.12/24

Plan N° : Sch\_RC15-DAD1-OAE030.BT-2013-01

Date : 24/02/2014

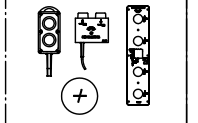
OAE030.BT

EXTERIOR CONTROL BOX REF. EDI40.T0

COLOUR CODES  
DIN 47100

- 1=WH
- 2=BN
- 3=GN
- 4=YE
- 5=GY
- 6=PK
- 7=BU
- 8=RD
- 9=BK

EC = 24/12V  
EXTRA CTRL.



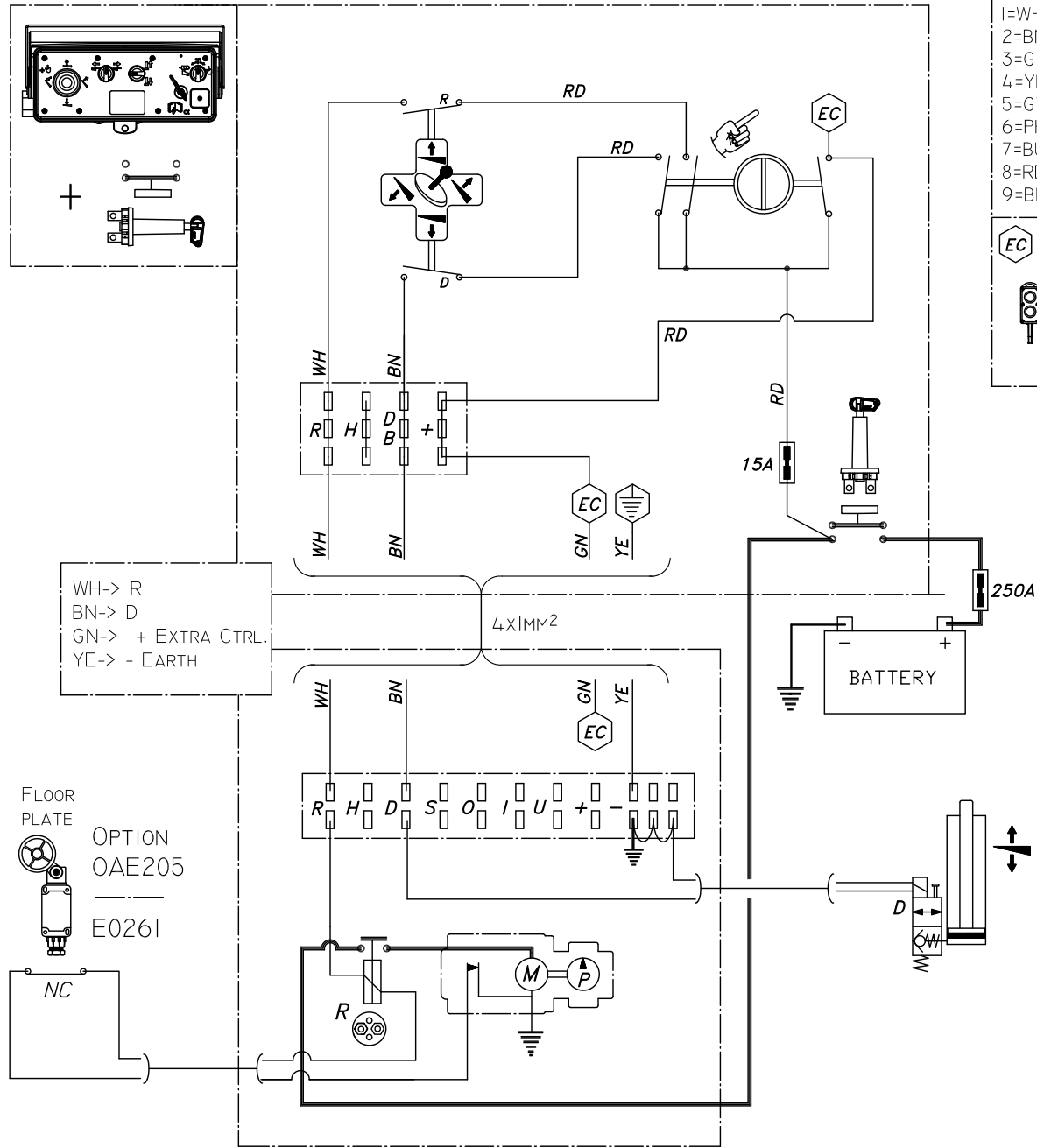
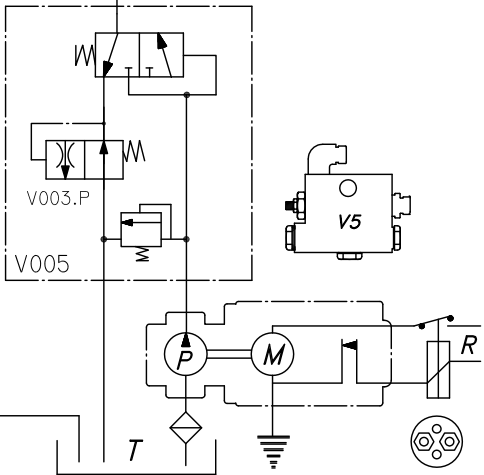
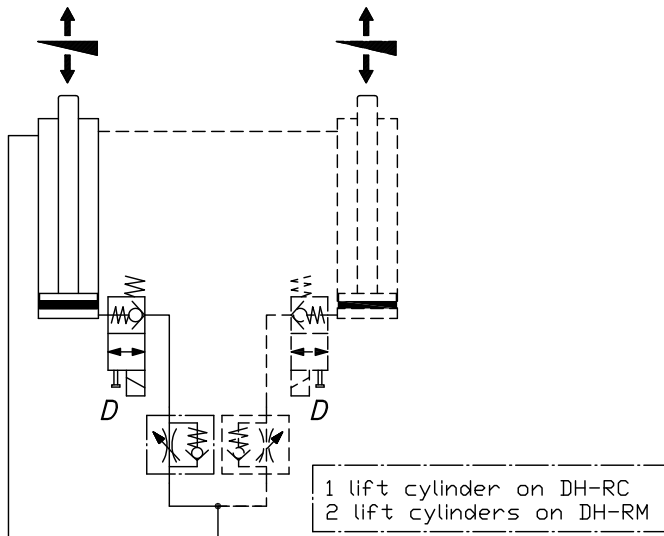
Type : TUCK-AWAY LIFT DH\_RM / RC (no lift cyl.) + OPTION OAE205 - 2010/..

Power pack : GT-RN-motor pump-... Valve : V005

Plan N° : Sch\_RM-MECH.J-OAE030.BT-2013-01

Date : 28/10/2013

DHOLLANDIA



FLOOR PLATE  
OPTION OAE205  
E0261

MECH - J

