

Pos	Code	Description
1	XF.LM42Z.CA.O.VK.L	Frame left LM42Z CA=..mm O=..mm
1	XF.LM42Z.CA.O.VK.R	Frame right LM42Z CA=..mm O=..mm
2	XH.LM41.CA.ARM	Lift arm LM41 CA=...mm ARM=...mm
2	XH.LM41.CA.LE.B	Arm LM41 LMK + Snr
3	M1318	Swing bracket arm LM42
4	CH28.D.L	Lift cylinder left CH28.D + Snr
5	CH28.D.R	Lift cylinder right CH28.D + Snr
6	CS26.D.L	Tilt cylinder left CS26.D + Snr
7	CS26.D.R	Tilt cylinder right CS26.D + Snr
8	GC2.LR	Hydr.power pack right 2KW GC
9	MM.0.120.120	Suspension plate bolt-on LCZ 120mm
10	MM.0.120.381	Mounting plate bolt-on 120
11	M1720.067.BO08	Pin ø20x67mm - BO08
12	M1725.087.BO08	Pin ø25x87mm - BO08
13	M1725.129	Pin ø25x129mm
14	M1725.140.BO08	Pin ø25x140mm
15	M1730.087.BO08	Pin ø30x87mm - BO08
16	M1820.15T	Bearing bush ø20x15mm
17	M1825.20T	Bearing bush ø25x20mm
18	M1825.25T	Bearing bush ø25x25mm
19	M1830.50T	Bearing bush ø30x50mm
20	M1127.14	Plate hydr.stabilising leg ø14mm
21	CAD14.D.L	Stabilising leg left CAD14.D + Snr
22	CAD14.D.R	Stabilising leg right CAD14.D + Snr
23	V144.12	Valve hydr.stabilising leg 12V
23	V144.24	Valve hydr.stabilising leg 24V

**\* Option S544 (Hydr. stab. Legs)**



**DHOLLANDIA**

Main Group: \_\_\_\_\_  
**Hydraulic schemes**

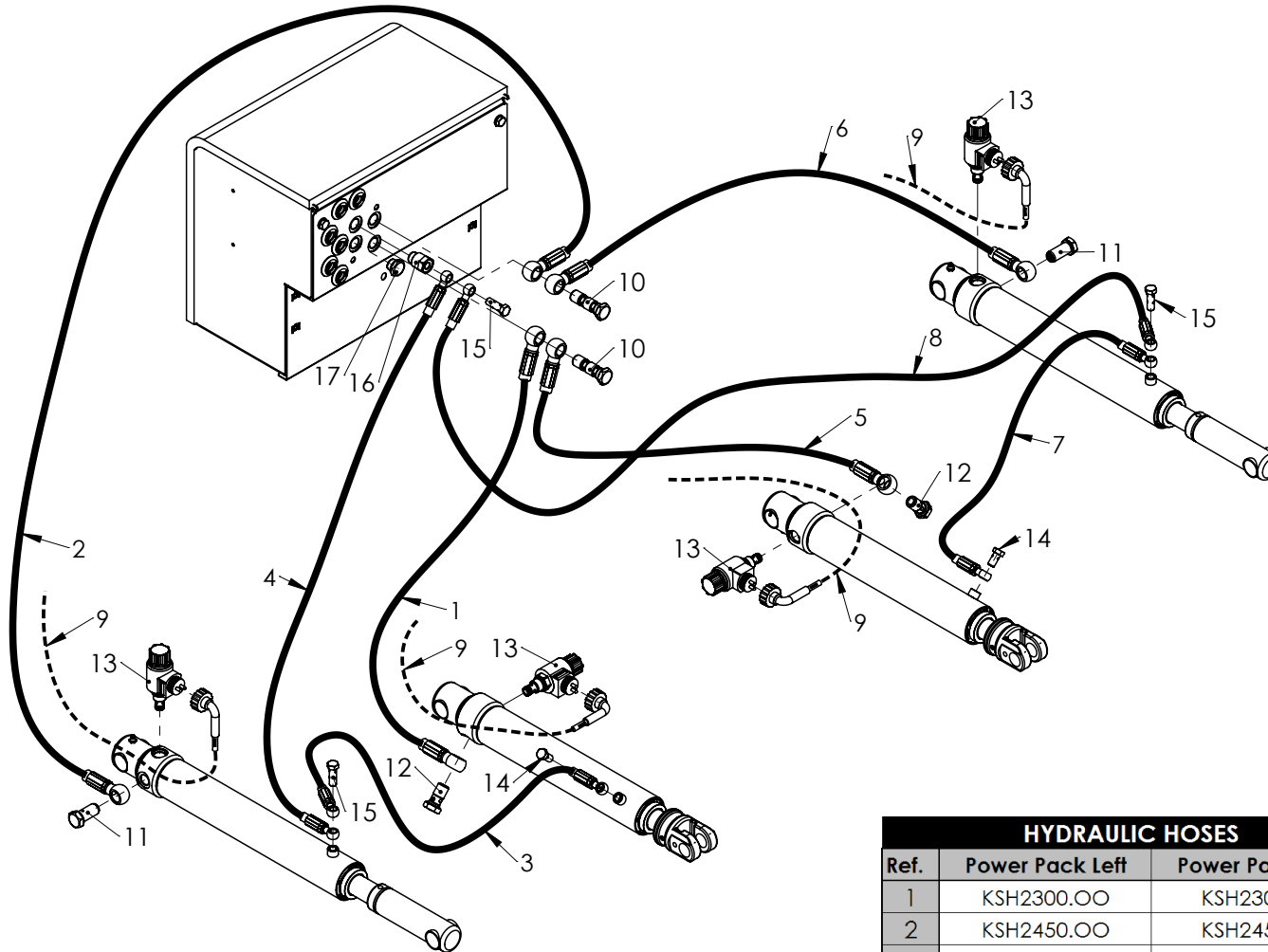
Sub Group: \_\_\_\_\_  
**Cantilever lifts**

Description Sales Article: \_\_\_\_\_  
**Hydraulic assembly LMZ.10.03 + Snr**

Sales Article: \_\_\_\_\_

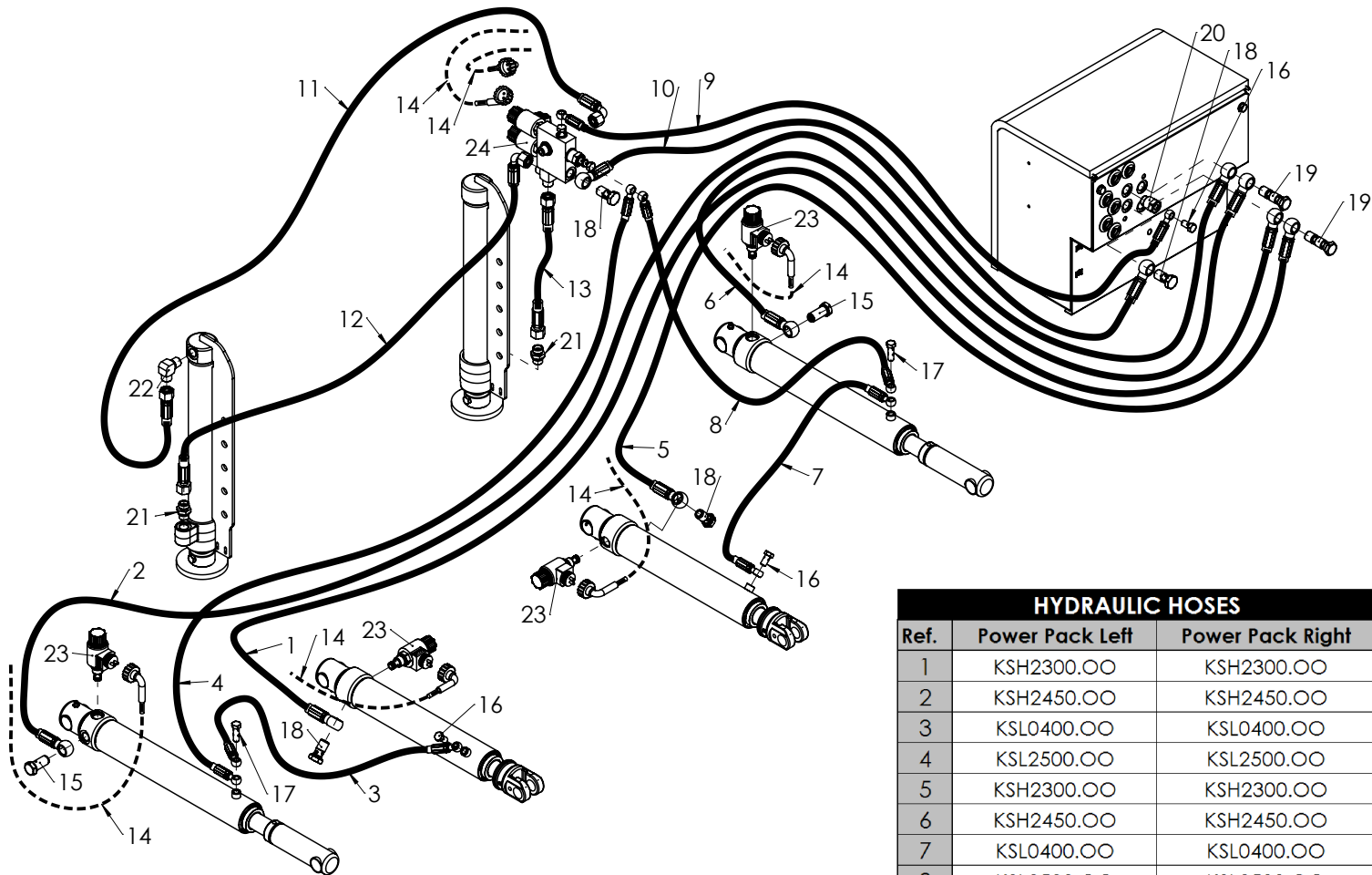
**LMZ.10.03-F01**

Pos	Code	Description
10	K0188	Banjo double 3/8"
11	K0109.15	Banjo braking valve ø1.5
12	K0172	Banjo simple 3/8"
13	V133.24.H	Safety valve SA 24V - HYDAC
13	V133.12	Safety valve SA 12V
13	V133.12.H	Safety valve SA 12V - HYDAC
13	V133.24	Safety valve SA 24V
14	K0110	Banjo simple M10x1
15	K0112	Banjo double M10x1
16	K0703.3-8	Closing cap 3/8" + M10x1
17	K0702.3-8	Closing cap 3/8"



HYDRAULIC HOSES		
Ref.	Power Pack Left	Power Pack Right
1	KSH2300.00	KSH2300.00
2	KSH2450.00	KSH2450.00
3	KSL0400.00	KSL0400.00
4	KSL2500.00	KSL2500.00
5	KSH2300.00	KSH2300.00
6	KSH2450.00	KSH2450.00
7	KSL0400.00	KSL0400.00
8	KSL2500.00	KSL2500.00
9	E0086	

Pos	Code	Description
15	K0109.15	Banjo braking valve ø1.5
16	K0110	Banjo simple M10x1
17	K0112	Banjo double M10x1
18	K0172	Banjo simple 3/8"
19	K0188	Banjo double 3/8"
20	K0703.3-8	Closing cap 3/8" + M10x1
21	K1201	Coupling straight 3/8"-12
22	K1226	Coupling 90° 3/8"-12
23	V133.24.H	Safety valve SA 24V - HYDAC
23	V133.12.H	Safety valve SA 12V - HYDAC
23	V133.24	Safety valve SA 24V
23	V133.12	Safety valve SA 12V
24	V144.12	Valve hydr.stabilising leg 12V
24	V144.24	Valve hydr.stabilising leg 24V



HYDRAULIC HOSES		
Ref.	Power Pack Left	Power Pack Right
1	KSH2300.00	KSH2300.00
2	KSH2450.00	KSH2450.00
3	KSL0400.00	KSL0400.00
4	KSL2500.00	KSL2500.00
5	KSH2300.00	KSH2300.00
6	KSH2450.00	KSH2450.00
7	KSL0400.00	KSL0400.00
8	KSL2500.00	KSL2500.00
9	KSL1100.00	
10	KSH1000.NN.1-4	
11	KSH1350.NN.1-4	
12	KSH1350.NN.1-4	
13	KSL0300.MM.1-4	
14	E0086	



Main Group: \_\_\_\_\_  
**Hydraulic cylinders**

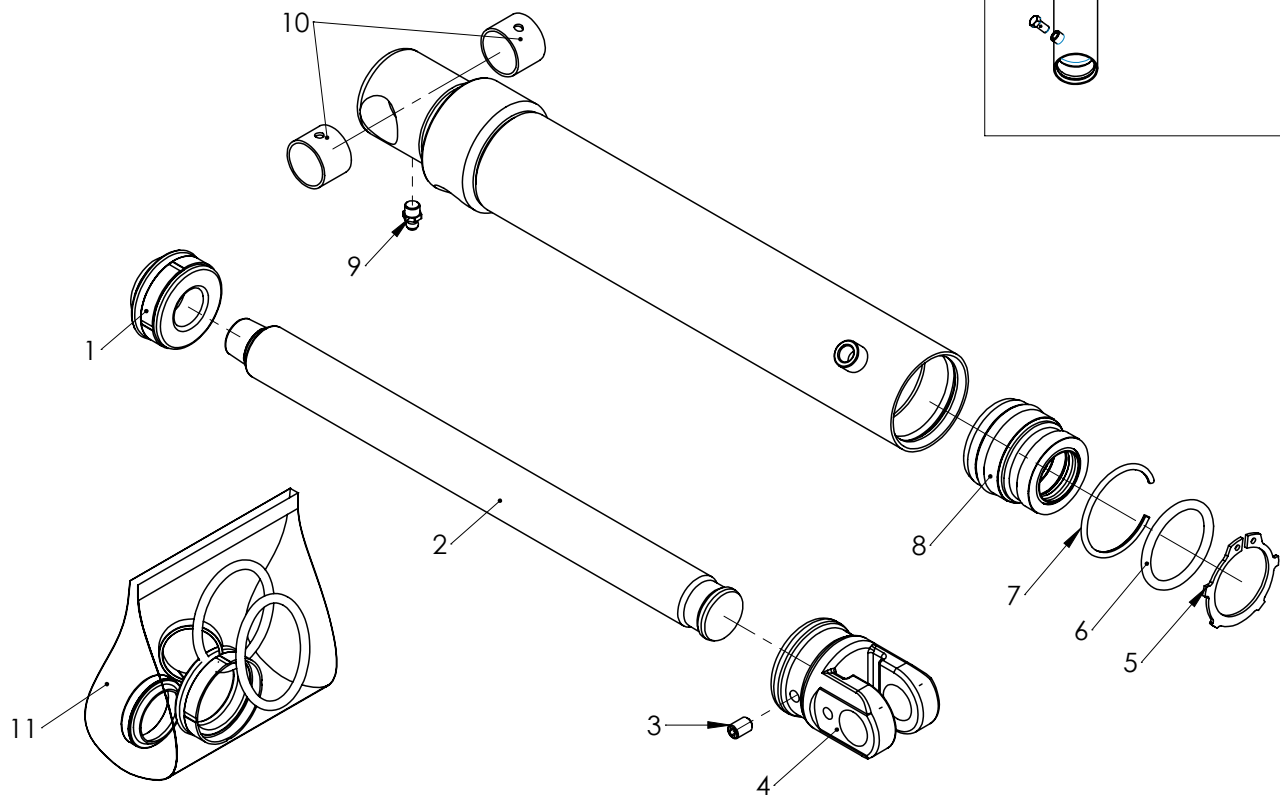
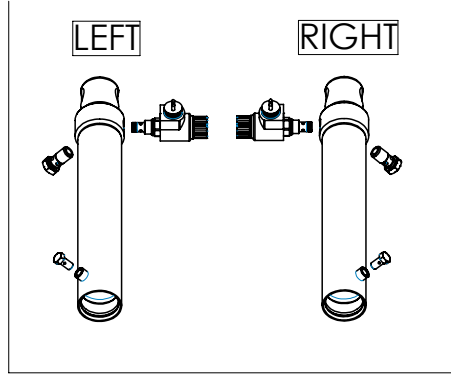
Sub Group: \_\_\_\_\_  
**Lift cylinders**

Description Sales Article: \_\_\_\_\_  
**Lift cylinder L+R CH28.D + Snr**

Sales Article: \_\_\_\_\_

**CH28.D.L-R**

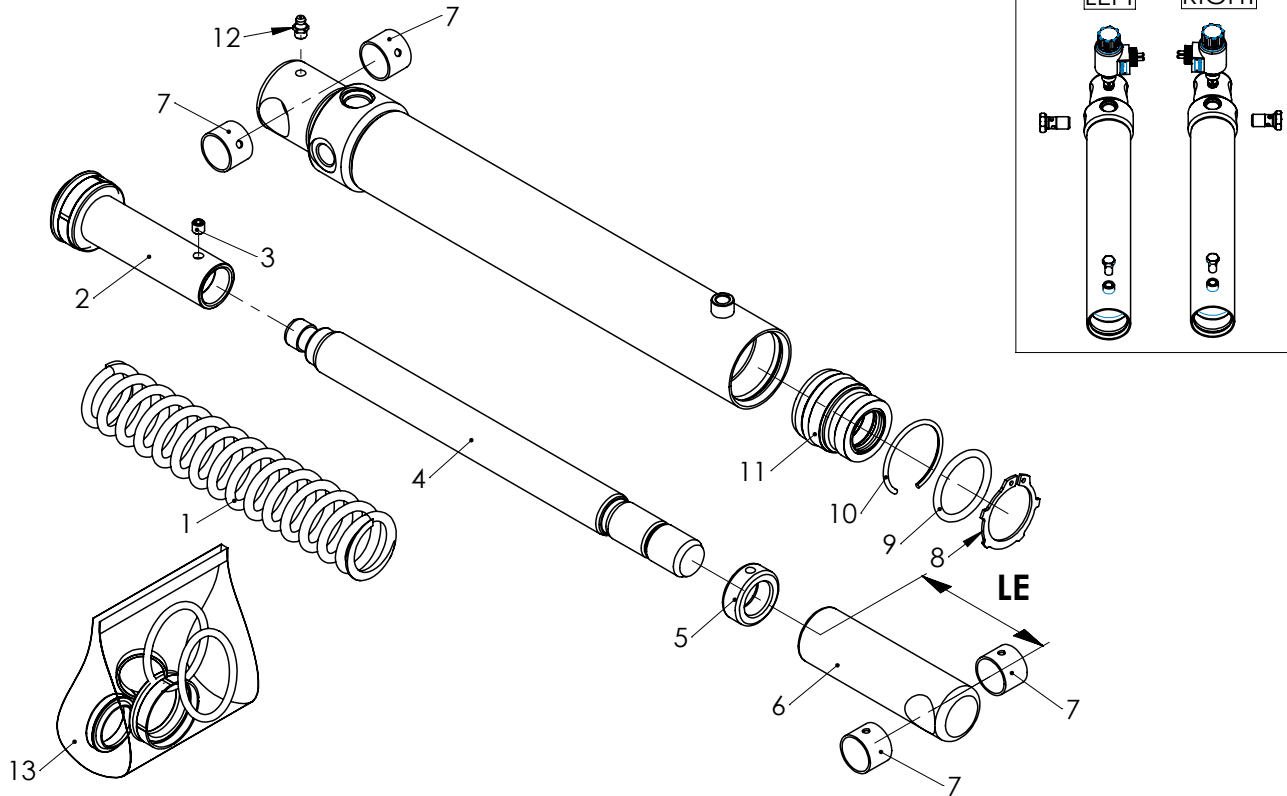
Pos	Code	Description
1	M4430.050	Piston SA ø50-30
1	M4430.060	Piston SA ø60-30
2	M4630.363	Rod OK D50 - ø30x363mm
3	BB08.12	Allenbolt headless M8x12
4	M4105.060.20.30.15.F	Fork lift cylinder 60cc A20-ø30 15F
5	BC45.983	Locking ring ø45 DIN 983
5	BC52.983	Locking ring DIN983 ø52
6	DO042.5	O-ring ø42x5
6	DO052.5	O-ring ø52x5
7	VRX085.60	Spring ring ø60
7	VRX085.50	Spring ring ø50
8	M4230.050.AC	Cylinder head interior ø30-50
8	M4230.060.AC	Cylinder head with circlip ø60-30 AC
9	M1701	Grease nipple M8
10	M1825.20T	Bearing bush ø25x20mm
11	DSE060.30.C	Seal set SA CIRCLIPS ø60-30
11	DSE050.30.C	Seal set CIRCLIPS EW ø50-30

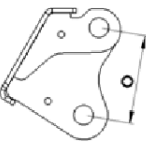


**CH28.D.L-R (OK250 - D50,60)**

Type	Capacity	ARM	Cylinder name	Cyl. Head (Ref. 8)	Piston (Ref. 1)	Seals (Ref. 11)	Spring ring (Ref. 7)	O-ring (Ref. 6)	Circlips (Ref. 5)
LM.10 / LMZ.10 / LMQ.10	500-750kg	650-950mm	CH28.050.30.0250.D.L-R	M4230.050.AC	M4430.050	DSE050.30.C	VRX085.50	DO042.5	BC45.983
	1000kg	650mm							
			750-950mm	CH28.060.30.0250.D.L-R	M4230.060.AC	M4430.060	DSE060.30.C	VRX085.60	DO052.5

Pos	Code	Description
1	VRD103	Pressure spring BD=48 L=250 DD=6.5mm
2	M4401.050.C	Piston SA SKM ø50 >2010
3	BB08.08	Allenbolt headless M8x8
4	M4630.373	Rod SKM D50 - ø30x373mm
4	M4630.443	Rod SKM245 ø30x443mm
5	M4810.27	Locking ring extension M27
6	M4032.LE	Extension SKM M27 + LE
7	M1825.20T	Bearing bush ø25x20mm
8	BC45.983	Locking ring ø45 DIN 983
9	DO042.5	O-ring ø42x5
10	VRX085.50	Spring ring ø50
11	M4230.050.AC	Cylinder head interior ø30-50
12	M1701	Grease nipple M8
13	DSE050.30.C	Seal set CIRCLIPS EW ø50-30



<b>CS26.D.L-R (SKM180,215,245 - D50)</b>						
Type	O	Capacity	Cylinder name	Rod (Ref. 4)	Ext. Code (Ref. 6)	LE Ref. 6
 <b>LM(Z).10 / LMQ.10</b>	115mm	500kg-1000kg	CS26.050.30.0180.D.L-R	M4630.373	M4032.LE	LE=ARM-535mm
	140mm		CS26.050.30.0215.D.L-R			LE=ARM-535mm
	140mm (+S408)*		CS26.050.30.0245.D.L-R	M4630.443		LE=ARM-635mm
*S408 = Tilting of the platform in ramp position						



**DHOLLANDIA**

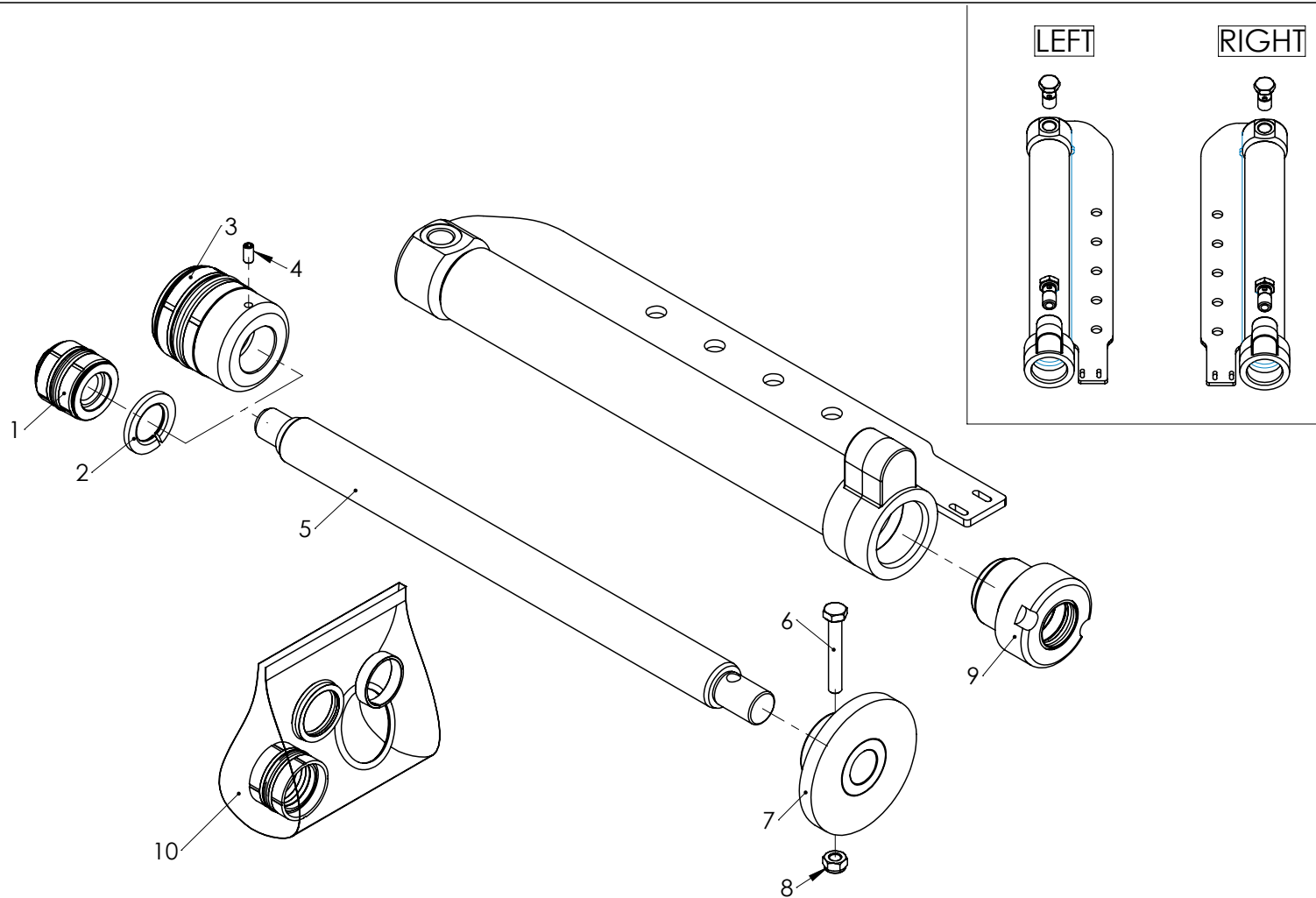
Main Group: \_\_\_\_\_  
**Hydraulic cylinders**

Sub Group: \_\_\_\_\_  
**Hydraulic jack leg cylinder**

Description Sales Article: \_\_\_\_\_  
**Hydr.stabilising leg CAD14.D + Snr**

Sales Article: \_\_\_\_\_  
**CAD14.D.L-R**

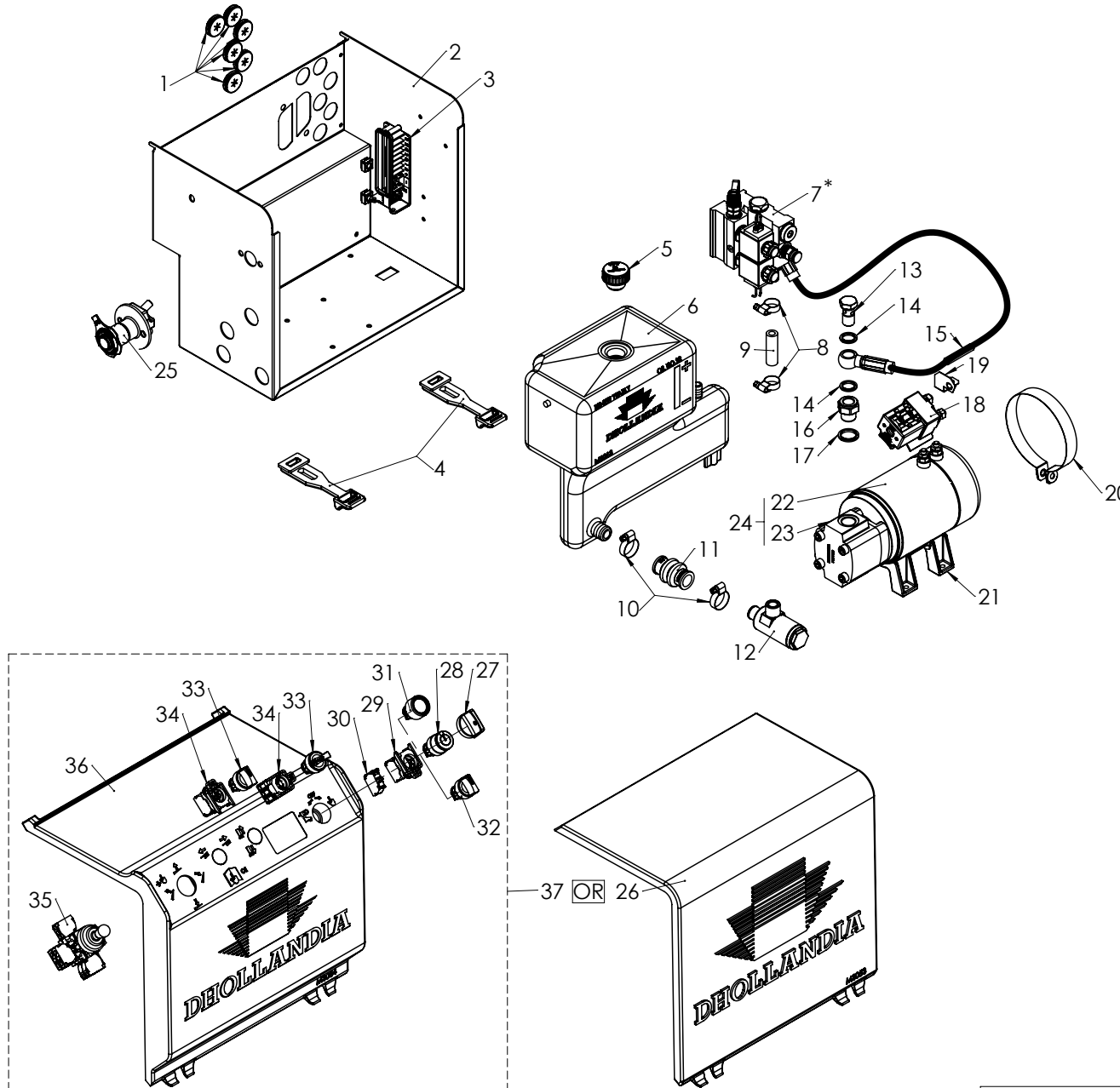
Pos	Code	Description
1	M4535.040	Piston DA DKB ø40
2	BC24.3	Spring washer M24 NMG452
3	M4503.060	Piston DA ø60
4	BB06.12.PC	Allenbolt headless M6x12 PC
5	M4630.425	Rod cylinder CAD14 ø30x425mm
5	M4640.405	Rod cylinder ø40x405mm
5	M4640.480.B	Rod cylinder ø40x480mm -B-
6	BT08.055	Bolt M8x55
7	M4892.D.30	Foot hydr.stabilising leg CAD14 ø30
7	M4892.D.40	Foot hydr.stabilising leg CAD14 ø40
8	BMB08	Locking nut M8
9	M4230.040.AG	Cylinder head guide ø40-30
9	M4240.060.AG	Cylinder head SA ø60-40
10	DSD040.30	Seal set DA ø40-30
10	DSD060.40	Seal set DA ø60-40



CAD14.D.L-R (Hydraulic stabilising leg)						
Type	Cylinder name	Cyl. Head (Ref. 9)	Piston (Ref. 1,3)	Rod (Ref. 5)	Seals (Ref. 10)	Foot (Ref. 7)
All	CAD14.040.30.0300.D.L-R	M4230.040.AG	M4535.040	M4630.425	DSD040.30	M4892.D.30
	CAD14.060.40.0285.D.L-R	M4240.060.AG	M4503.060	M4640.405	DSD060.40	M4892.D.40
	CAD14.060.40.0360.D.L-R			M4640.480.B		



Pos	Code	Description
1	E0093.12	Lead through rubber 12mm
2	M3113	Case hydr.power pack LMQ/LM42
3	E2019	Connection block power pack
4	M3056	Lock power pack
5	F002	Air release cap 3/4"
6	M3013	Tank right 3.8 lt
7	V140.E.12	Logical valve compl. V133.K 12V
7	V140.E.24	Logical valve compl. V133.K 24V
7	V141.X.12	Logical valve compl. V133/V072.HK
7	V141.X.24	Logical valve compl. V133/V071.HK
7	V142.D.12	Logical valve compl. V072.HK 12V
7	V142.D.24	Logical valve compl. V071.HK 24V
8	M0365	Collar return hose ø20
9	KSL0230.3-8	LP hose 3/8" - 230mm
10	M0357	Collar suction hose
11	K0088	Suction hose pump
12	F020	Filter compl. >2008..
13	K0172	Banjo simple 3/8"
14	K0700.3-8	Sealing ring 3/8"
15	KSH0400.OO	HP hose E-E 400mm
16	K0152	Coupling pump 3000W
17	K0700.1-2	Sealing ring 1/2"
18	E0627.12	Relay round Albright 200A 12V
18	E0627.24	Relay round Albright 200A 24V
19	E0292.L	Connection starting relay - MP..
19	E0292.B	Connection starting relay - MP.. -B-
20	M0119	Collar motor 2000W
21	M3055	Support motor
22	MP025	Motor 24V 2000W
22	MP027	Motor 12V 2000W
23	P012	Pump 9A - 1.6cc - 3.2L
24	MPK025.P012	Motor pump 24V 2000W + P012
24	MPK027.P012	Motor pump 12V 2000W + P012
25	E2006	Battery switch DHOLLANDIA
26	M3053	Cover power pack LM4
27	E2026	Rubber sleeve key 2008-...
28	E0812	Key switch 3 pos TM 2008-...
29	E0802.2	Contact with connection TM 2x NO
30	E0800	Contact TM 1x NO
31	E0815	Push button TM
32	E0811	Rotary switch II-0-I TM
33	E0810	Rotary switch I-0-I TM
34	E0802.3	Contact with connection TM 3x NO
35	E0760.6	Joy stick compl. >2008 + 8xNO
36	M3054.K	Cover power pack +control -KEY
36	M3054.S	Cover power pack +control -SWITCH
36	M3054.UK.K	Cover power pack +control UK - KEY
36	M3054.UK.S	Cover power pack +control UK -SWITCH
37	EC3	Control hydr.power pack EC3.. + Snr



\* See INF-VAL-V140



**DHOLLANDIA**

Main Group: \_\_\_\_\_

**Platforms**

Sub Group: \_\_\_\_\_

**Aluminium platforms**

Description Sales Article: \_\_\_\_\_

**Vouwbaar platform vertical ALU**

Sales Article: \_\_\_\_\_

**XPLA002**

Pos	Code	Description
1	M1725.104.BO08	Pin ø25x104mm - BO08
2	M1975.26.26	Platform roller ø75/26x26mm
3	M1725.088.BO08	Pin ø25x88mm - BO08
4	XD.A.L	Platformhand left Plt ALU
5	XD.A.R	Platformhand right Plt ALU
6	M1361.LE	Fixation bar platformhand
7	E0700	Set platform lights 12/24V >2005
8	E0759.R	Foot control alu platform >2008
9	M0973.A.LE.L	Pallet stop left AUTOMAT. ...mm
9	M0973.A.LE.R	Pallet stop right AUTOMAT. ...mm
10	M35.LE.L	Side lip plt left
11	M35.LE.R	Side lip plt right
12	M0973.M.LE.L	Pallet stop left MECH. ...mm
13	M0973.M.LE.R	Pallet stop right MECH. ...mm

