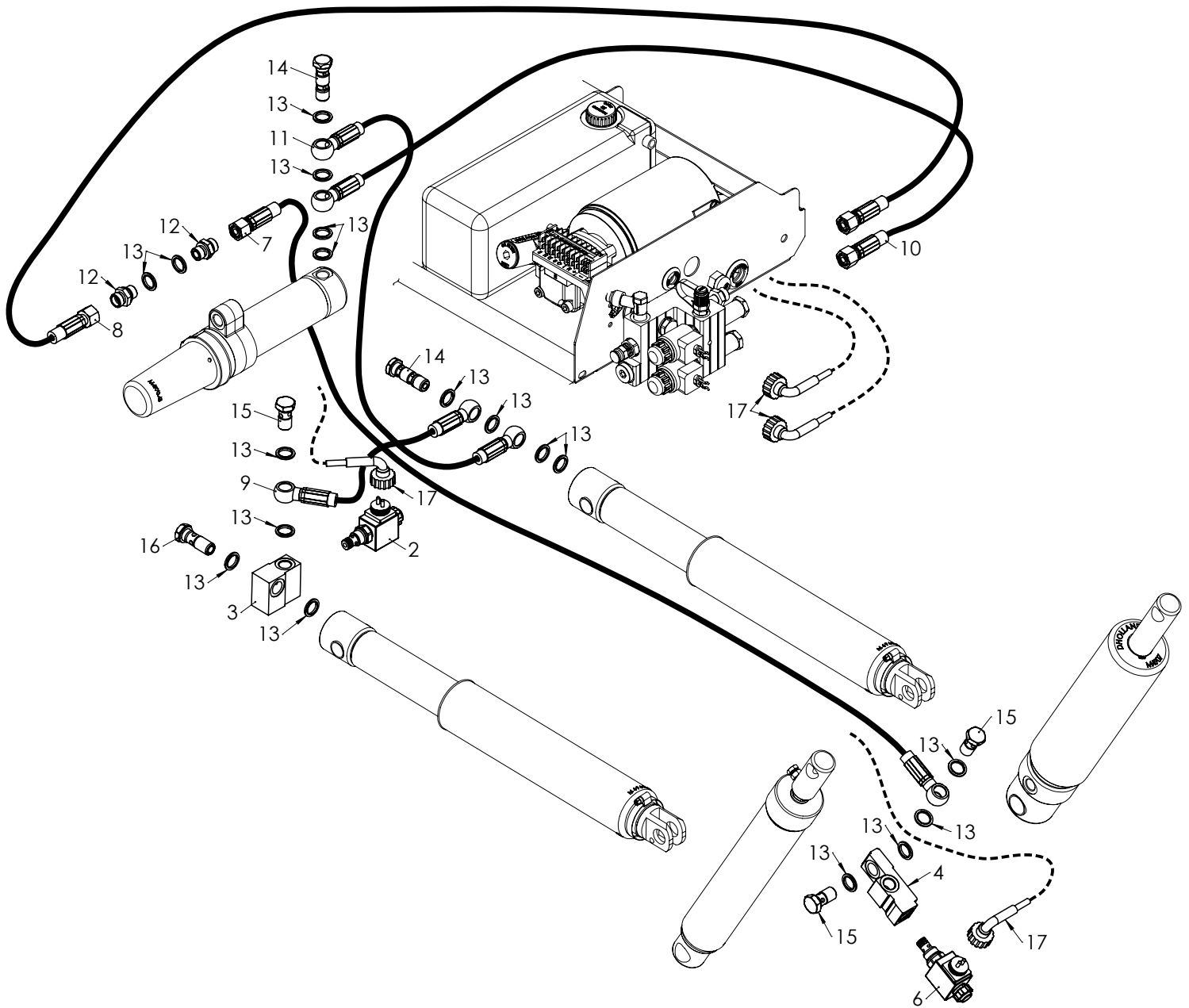
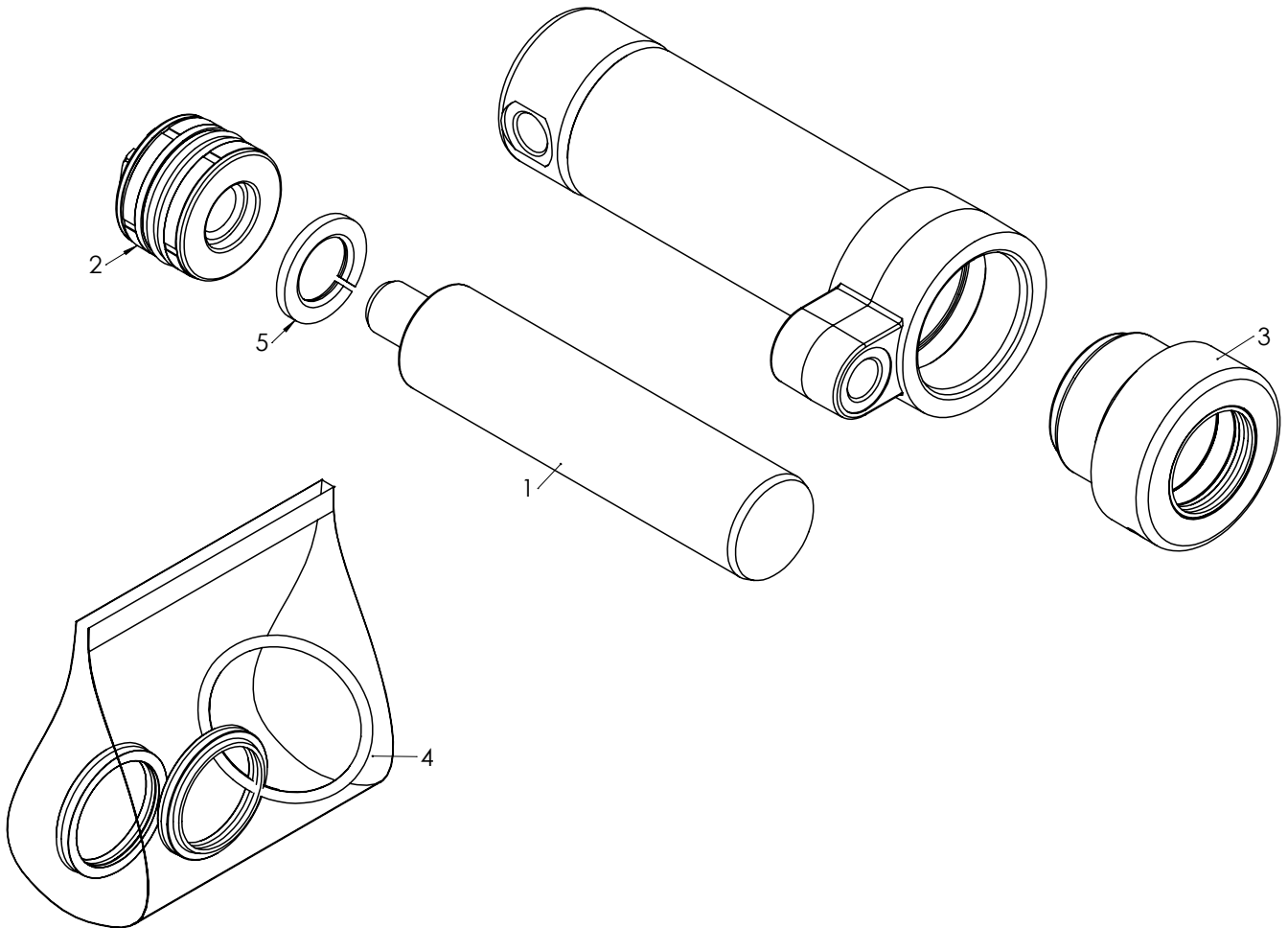


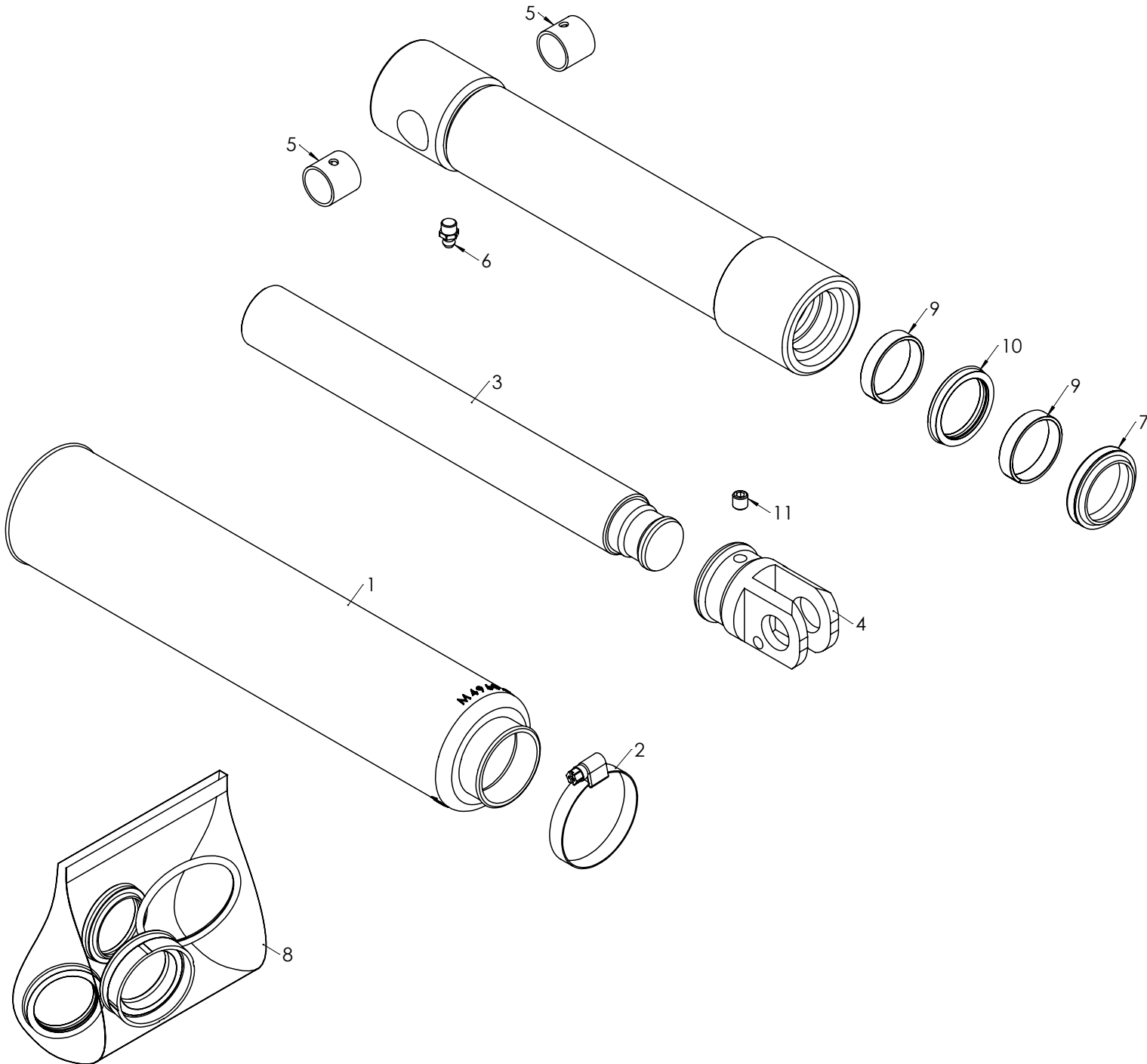
Pos	Code	Description
1	XH.LSPZ.07.01.CA.LE	Lift arm LSPZ.07.01 + Snr
2	XF.LSPZ.07.01.CA.O.VK	Frame LSPZ.07.01 + Snr
3	M3100.D	Cover power pack LSP.07
4	M1975.31.1	Ring platform roller pin ø30
5	M1975.31	Platform roller ø75/31x46mm
6	M1926.22	Spacer bush ø34/26 x 22mm
7	M1835.20T	Bearing bush ø35x20mm
8	M1825.25T	Bearing bush ø25x25mm
9	M1825.20T	Bearing bush ø25x20mm
10	M1820.20T	Bearing bush ø20x20mm
11	M1820.15T	Bearing bush ø20x15mm
12	M1735.335	Pin ø35x335mm
13	M1725.082.BO08	Pin ø25x82mm - BO08
14	M1720.092.BO08	Pin ø20x92mm - BO08
15	M1720.048.BO08	Pin ø20x48mm - BO08
16	M1701	Grease nipple M8
17	M0788.R	Fitting support right LSP.07
18	M0788.L	Fitting support left LSP.07
19	G.LSP11	Hydr.power pack LSP11
20	CH48	Lift cylinder CH 48 + Snr
21	CF.LSP.07.01.0450	Fixed stabiliser LSP.07.01 450cc
22	CF.LSP.07.01.0500	Fixed stabiliser LSP.07.01 500cc
23	CAD08.050	Memory cylinder CAD08.050 + Snr
24	BO08.070	Eye bolt ø8x70mm
25	BO08.035	Eye bolt ø8x35mm



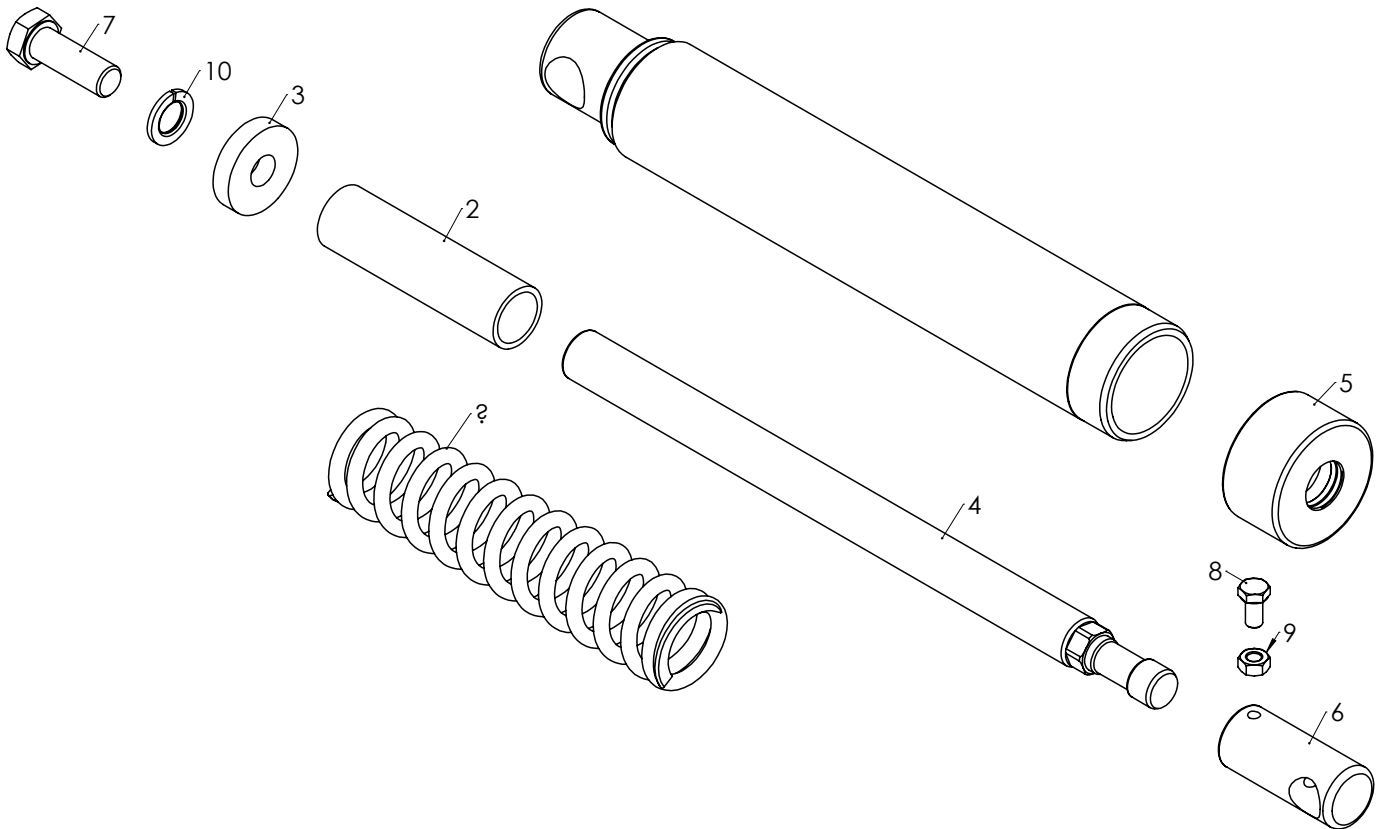
Pos	Code	Description
1	V133.24	Safety valve SA 24V
2	V133.12	Safety valve SA 12V
3	V132	Block safety valve cylinder voor V031
4	V130.R	Block safety valve side R
5	V037	Safety valve SA 12V + E241
6	V036	Safety valve SA 24V + E240
7	KSH1800.MO	HP hose E-N 1800mm
8	KSH1200.MM	HP hose N-N 1200mm
9	KSH0800.OO	HP hose E-E 800mm
10	KSH0650.MO	HP hose E-N 650mm
11	KSH0400.OO	HP hose E-E 400mm
12	K1201	Coupling straight 3/8"-12
13	K0700.3-8	Sealing ring 3/8"
14	K0188	Banjo double 3/8"
15	K0172	Banjo simple 3/8"
16	K0150	Banjo logical valve
17	E0086	Cable safety valve Costal



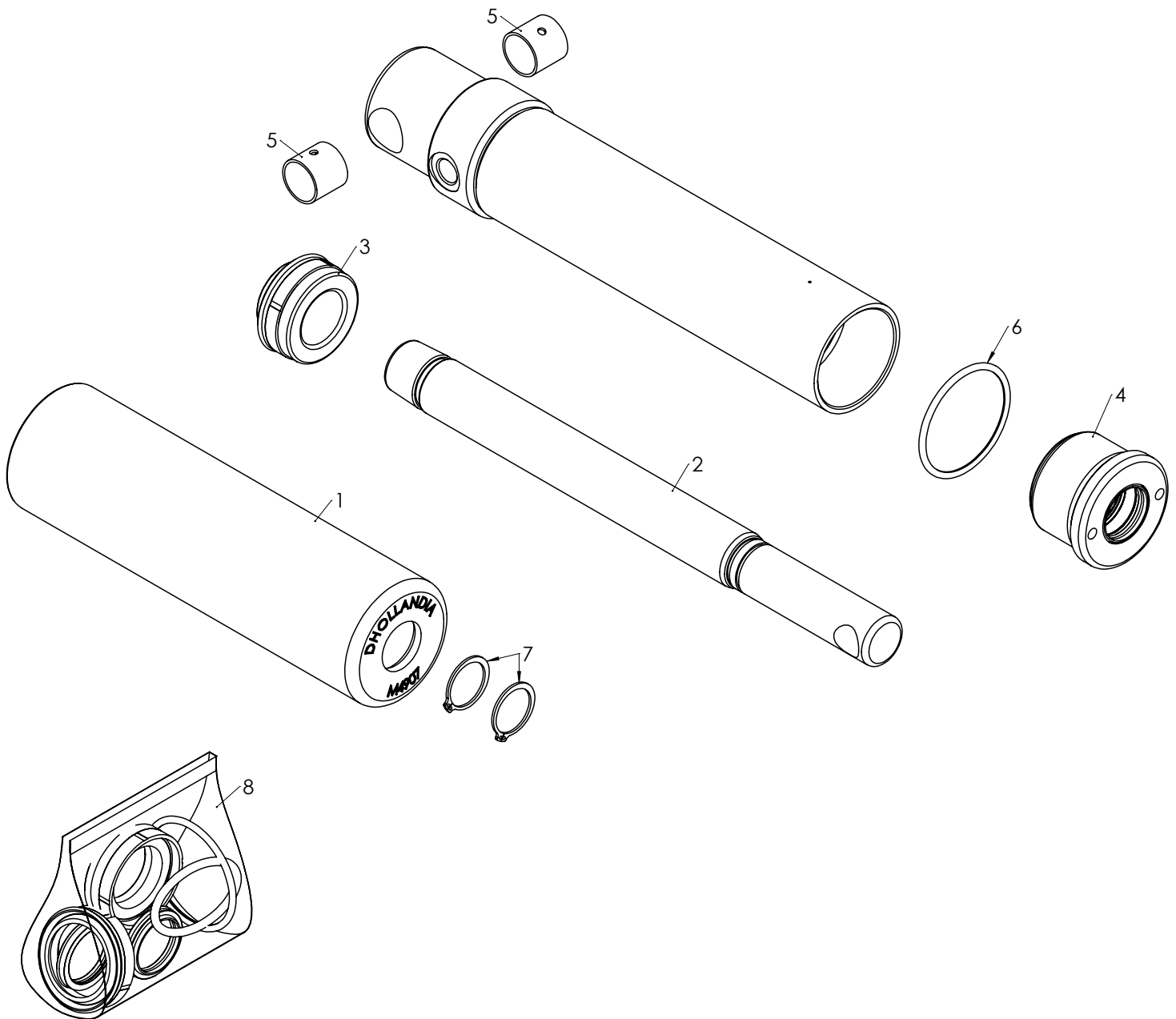
Pos	Code	Description
1	M4640.191	Rod GS50-40
2	M4535.050.C	Piston DA ø50-35 DKC
3	M4240.050.AG	Cylinder head guide ø50-40
4	DSD050.40	Seal set DA ø50-40
5	BC24.3	Spring washer M24 NMG452



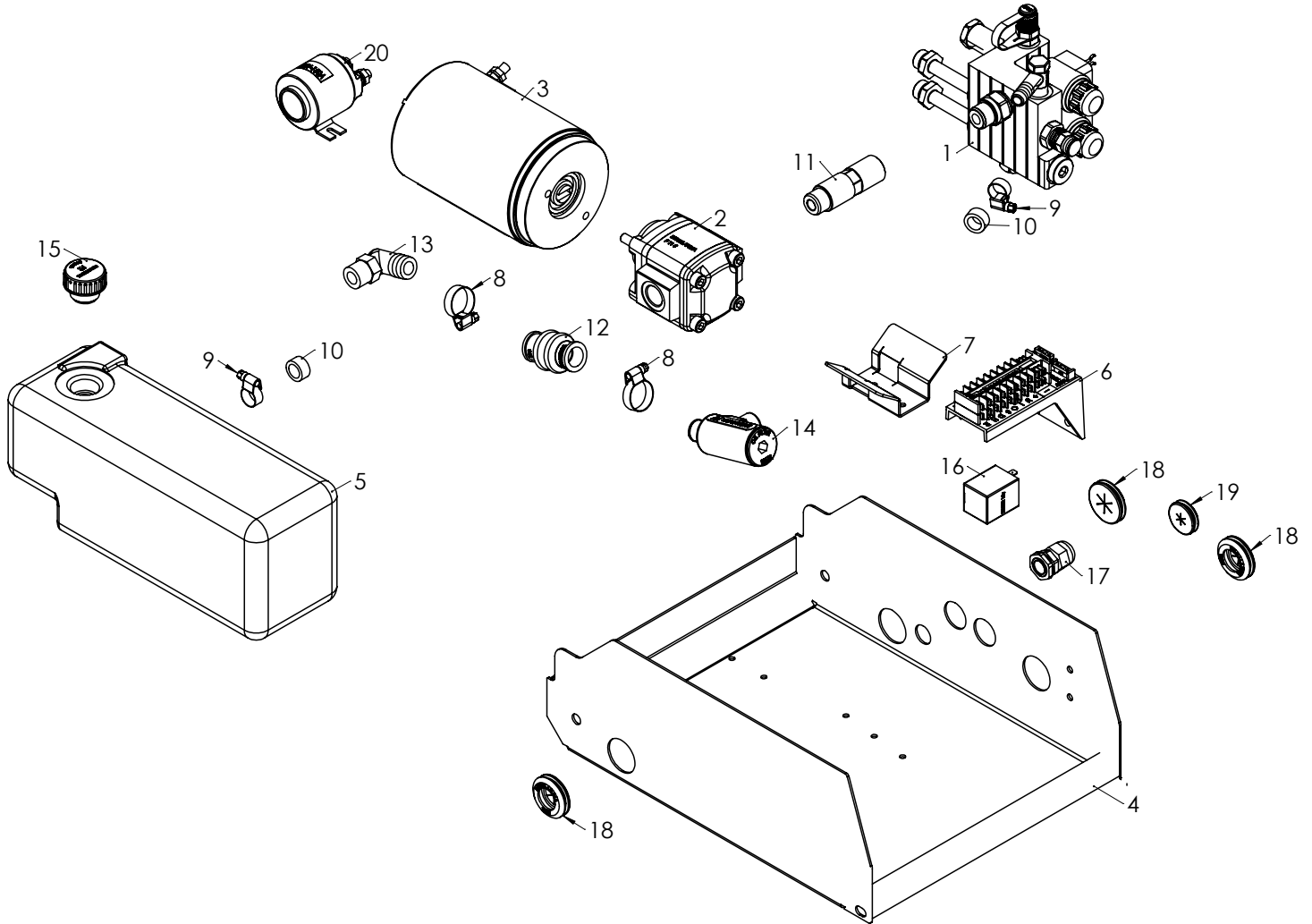
Pos	Code	Description
1	M4960.40	Rubber sleeve $\phi 60-\phi 40$
2	M4901.055	Collar $\phi 55$
3	M4635.300	Rod lift cylinder $\phi 35 \times 300 \text{mm}$
4	M4105.054.20.30.15.F	Fork lift cylinder 54cc A20- $\phi 30$ 15F
5	M1820.20T	Bearing bush $\phi 20 \times 20 \text{mm}$
6	M1701	Grease nipple M8
7	Dv035.S	Scraper steel $\phi 35$
8	DSE050.35	Seal set SA $\phi 50-35$
9	DG035.85.PL	Ring guide $\phi 35 - 8.5 \text{mm}$
10	DG035	Groove seal $\phi 35$
11	BB08.08	Allenbolt headless M8x8



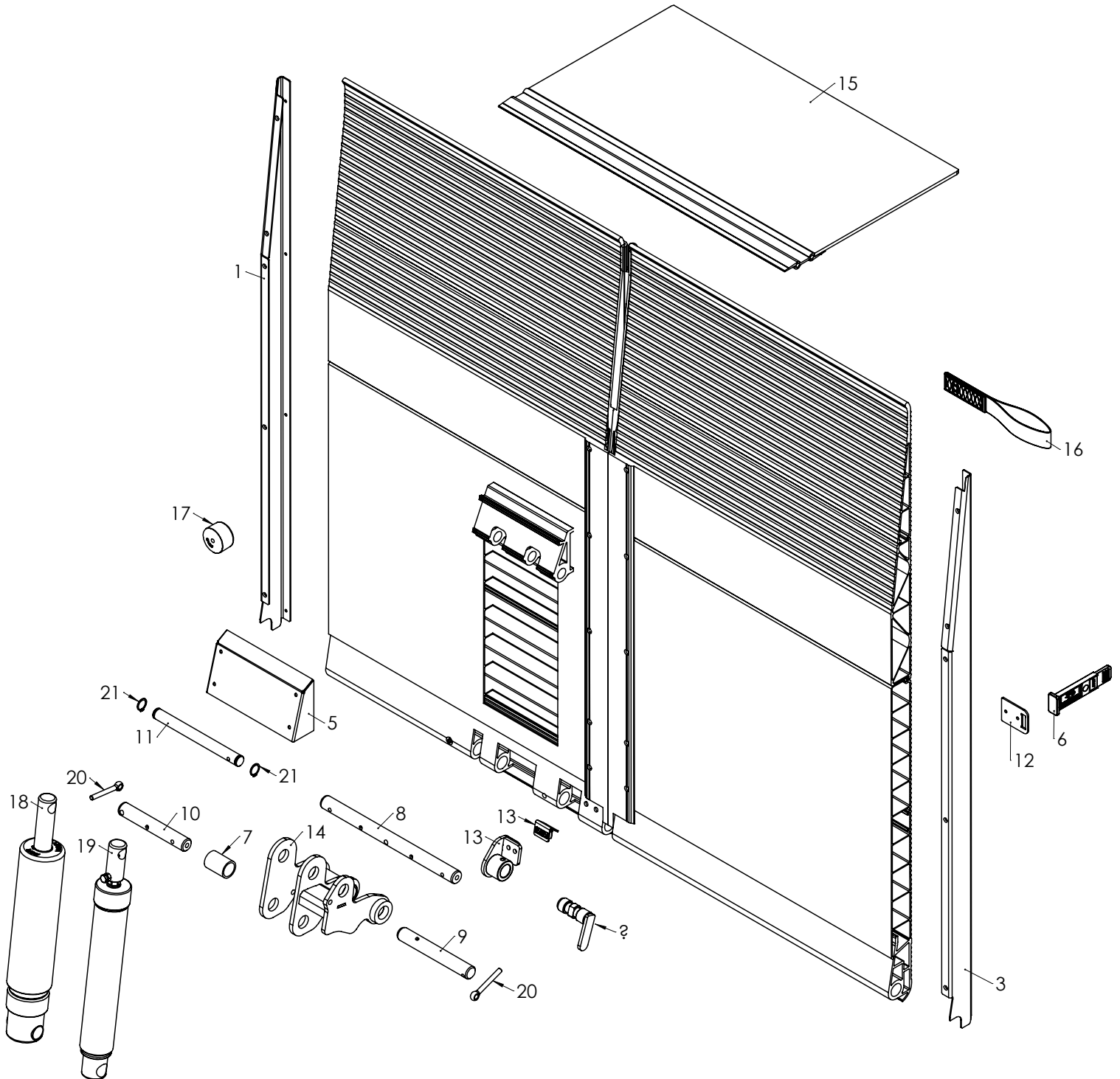
Pos	Code	Description
1	VRD006	Pressure spring BD=49 L=220 DD=7.5mm
2	M4827	Bush cylinder ø32-26 x 115mm
3	M4826	Ring cylinder ø45.5-16 x 10mm
4	M4625.382	Rod VC190 D50
5	M4225.050	Nut spring cylinder ø50-25
6	M4007	Extension VC190 ø50 LSP10
7	BT16.045	Bolt M16x45
8	BT08.016	Bolt M8x16
9	BMZ08	Nut M8
10	BC16.2	Spring washer M16



Pos	Code	Description
1	M4907	Rubber sleeve tilt cylinder LSP
2	M4635.394	Rod $\varnothing 35 \times 394$ (SK201 $\varnothing 60$ )
3	M4435.060	Piston SA $\varnothing 60-35$
4	M4235.060.SK.G	Cylinder head guide $\varnothing 60-35$ SK
5	M1825.25T	Bearing bush $\varnothing 25 \times 25$ mm
6	DO065.4	O-ring $\varnothing 65 \times 4$
7	BC30	Circlip exterior $\varnothing 30$ mm
8	DSE060.35	Seal set SA $\varnothing 60-35$



Pos	Code	Description
1	V012	Logical valve V012
2	P015	Pump 1.3cc - 2.5 l
3	MP027-OLD	Motor 12V 2000W
4	M3100	Case G.LSP01
5	M3003	Tank LSP
6	M0457	Connection block hydr.power pack
7	M0415.C	Support motor MP001/2 800W LSP10
8	M0357	Collar suction hose
9	M0356	Collar LP hose
10	KSL.1-2	LP hose 1/2" - /m
11	K0186.81	Coupling pump LSP10
12	K0088	Suction hose pump
13	K0084	Suction pump 90°
14	F007	Filter compl.
15	F002	Air release cap 3/4"
16	E0222.12	Flash relay 12V
17	E0155	Muff chuck PG11
18	E0093.21	Lead through rubber 21mm
19	E0093.12	Lead through rubber 12mm
20	E0059	Starting relay 150A 12V



Pos	Code	Description
1	M3528.1300.LZB	Side lip plt left H04 1300mm
2	M3528.1550.LZB	Side lip plt left H04 1550mm
3	M3528.1300.RZB	Side lip plt right H04 1300mm
4	M3528.1550.RZB	Side lip plt right H04 1550mm
5	M3406	Closing plate filt cylinder LSP11
6	M3010	Lock rubber M3050
7	M1926.46	Spacer bush $\varnothing 34-26 \times 46$ mm
8	M1725.335	Pin $\varnothing 25 \times 335$ mm
9	M1725.177.BO08	Pin $\varnothing 25 \times 177$ mm - BO08
10	M1725.163	Pin $\varnothing 25 \times 163$ mm
11	M1720.212	Pin $\varnothing 20 \times 212$ mm

Pos	Code	Description
12	M1345	Fixation bracket lock M3010
13	M1343.R	Lock platform LSP10
14	M1308	Swing bracket LSP10
15	M0932.370.0725	Bridge plate >2009 370x725mm
16	M0897.B	Handle point
17	M0868.30	Rubber ring $\varnothing 50 \times 30$ mm
18	CS14.060.B	Tilt cylinder CS14.060 + Snr
19	CS14.050	Spring cylinder CS14.050 + Snr
20	BO08.070	Eye bolt $\varnothing 8 \times 70$ mm
21	BC20	Circlip exterior $\varnothing 20$