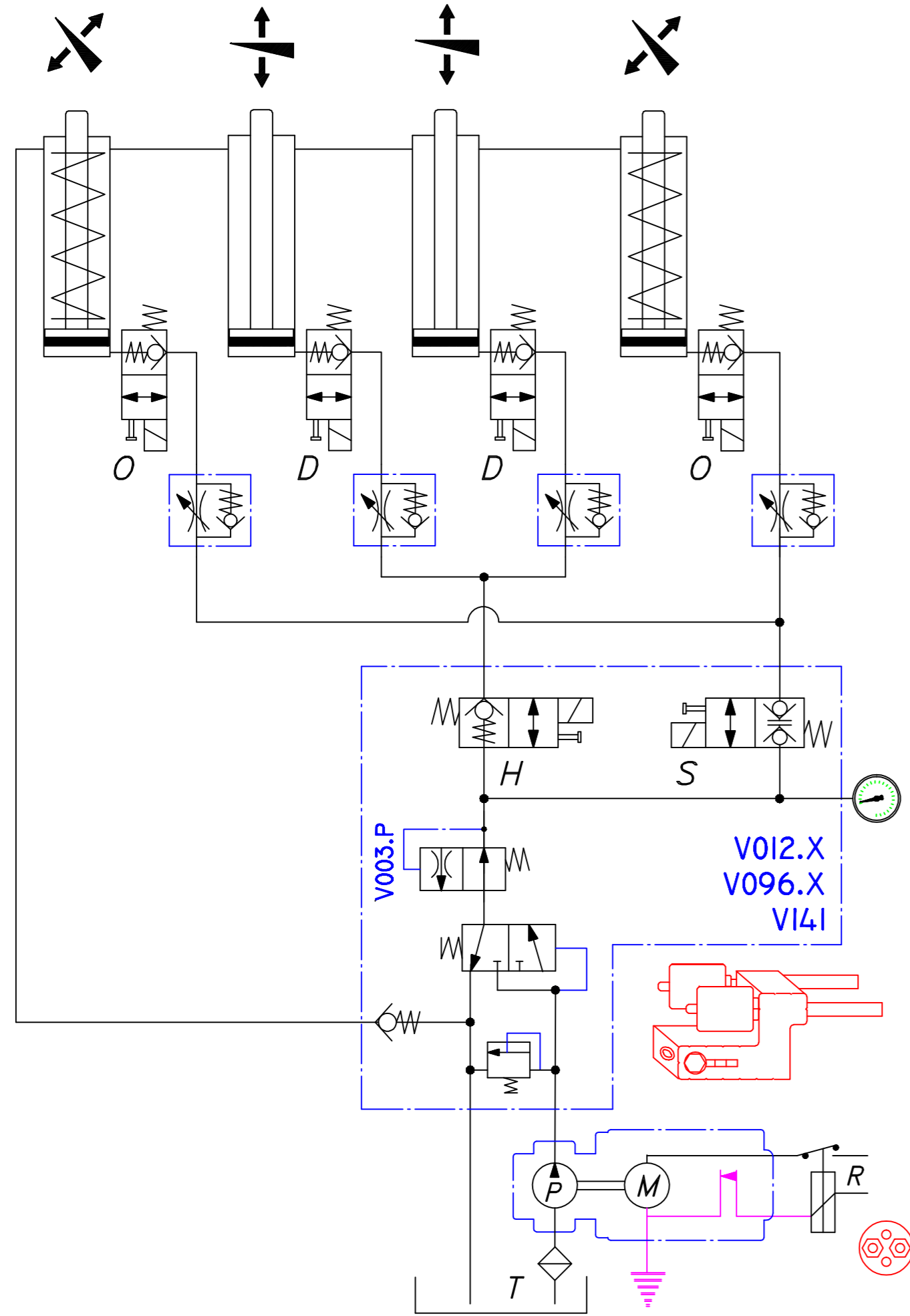
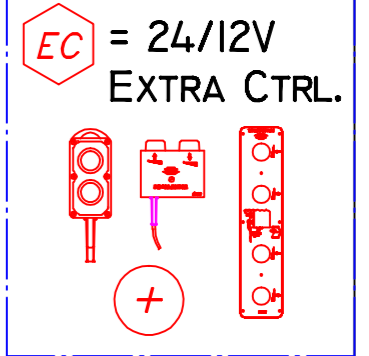


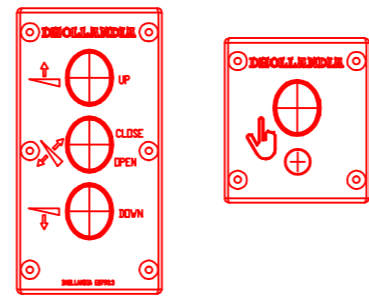
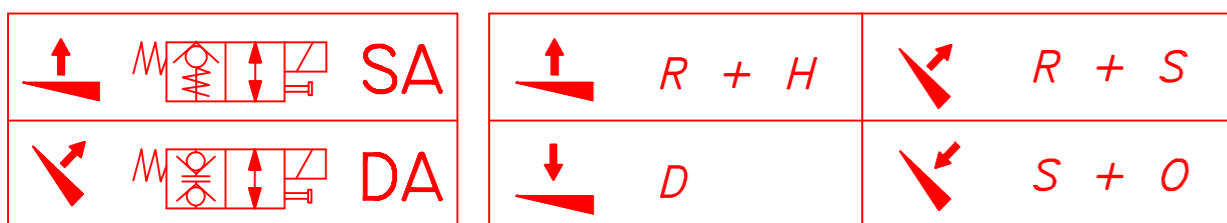
DH-LM* / LC*

OPTION OAE031.Z ~ 3+1 BUTTON CONTROL

(*) PK USED INSTEAD OF YE IN CABLES WHICH HAVE NO YE WIRE

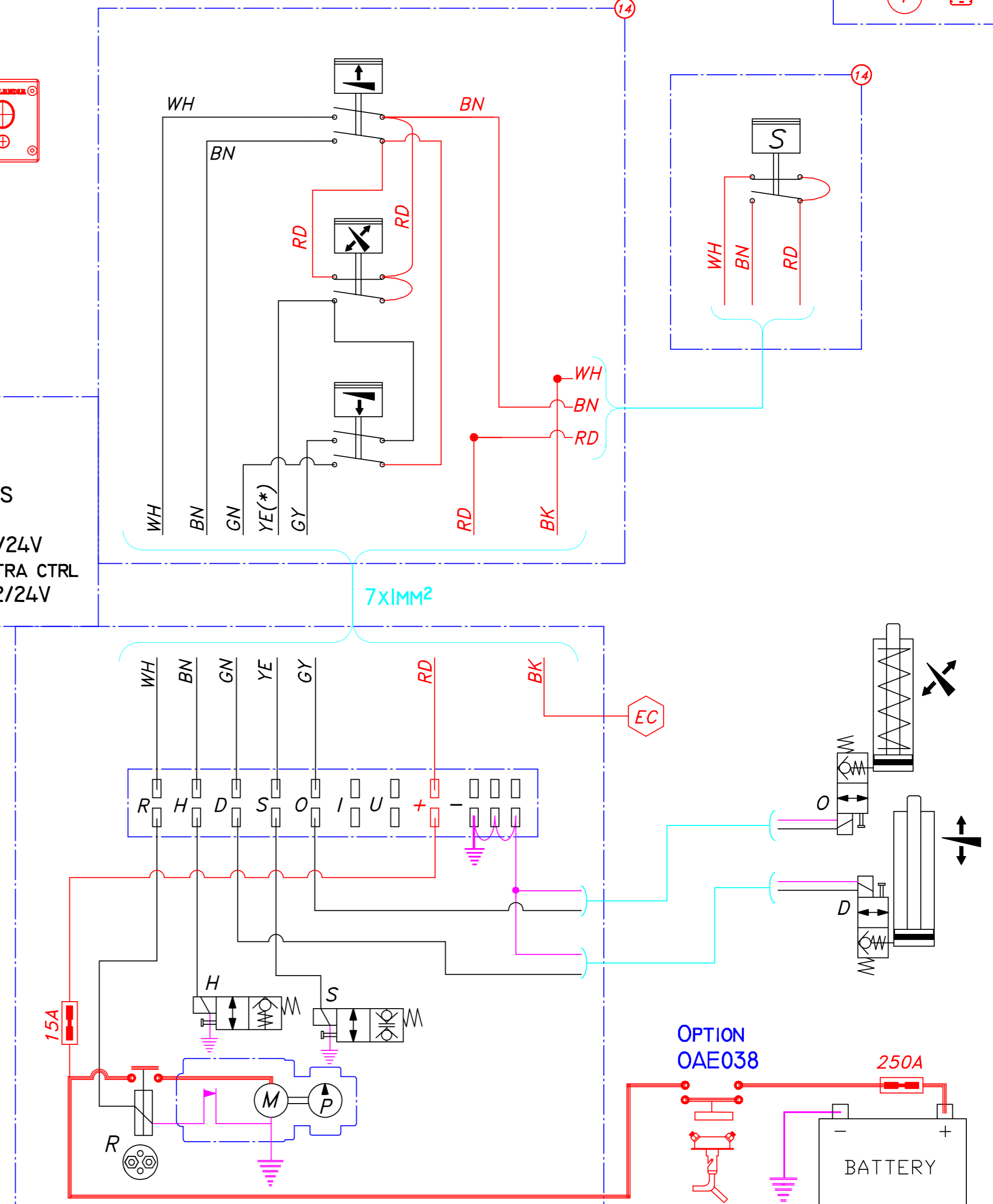


MECH - X



WH -> R
 BN -> H
 GN -> D
 YE (*) -> S
 GY -> O
 BK -> +12/24V
 EXTRA CTRL
 RD -> + 12/24V

E0793.31.0.M



Type : Cantilever lift DH-LM (MECH-X) + OAE031.Z - 2014/...
 Power pack : GT-LX-motor pump-... Valve : V012.X / V096.X / V141.X
 Plan N° : wd_LM-MECH.X-OAE031.Z-2015-01 Date : 30/09/2015

