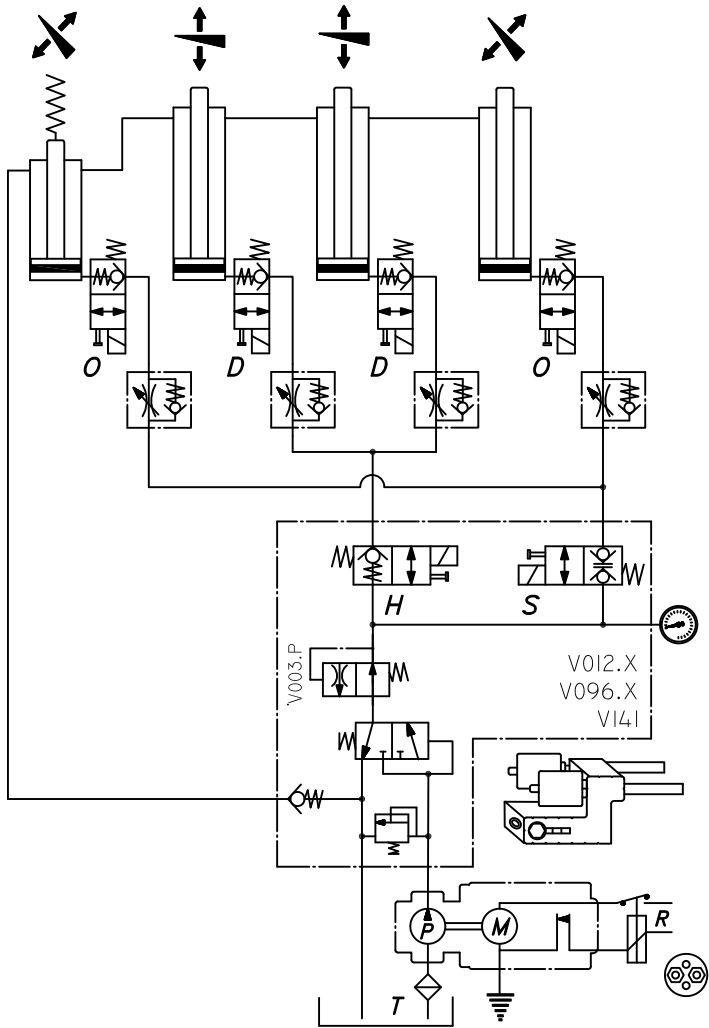
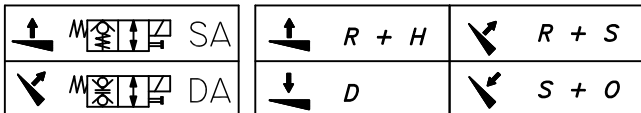


DH-LM\* / LC\*

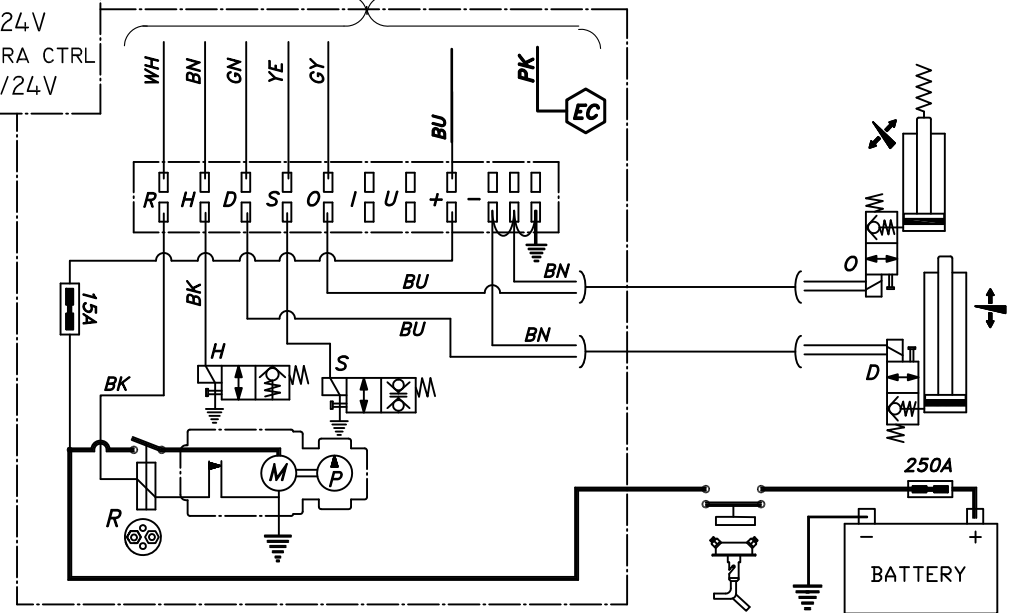
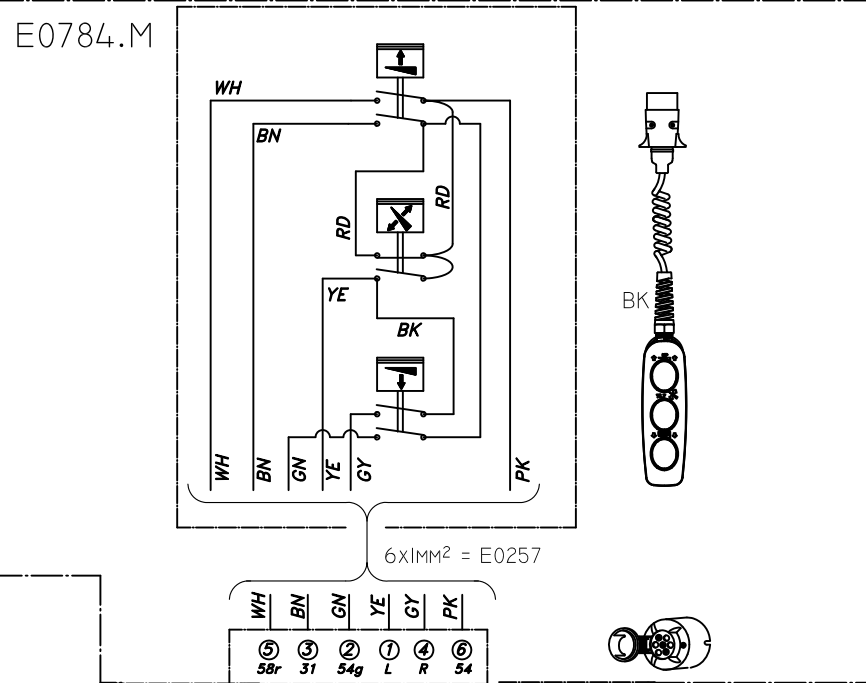


MECH - X



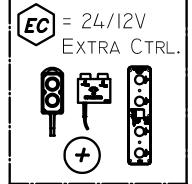
E0784.M

WH -> R  
 BN -> H  
 GN -> D  
 YE -> S  
 GY -> O  
 PK -> +12/24V  
 EXTRA CTRL  
 BU -> +12/24V

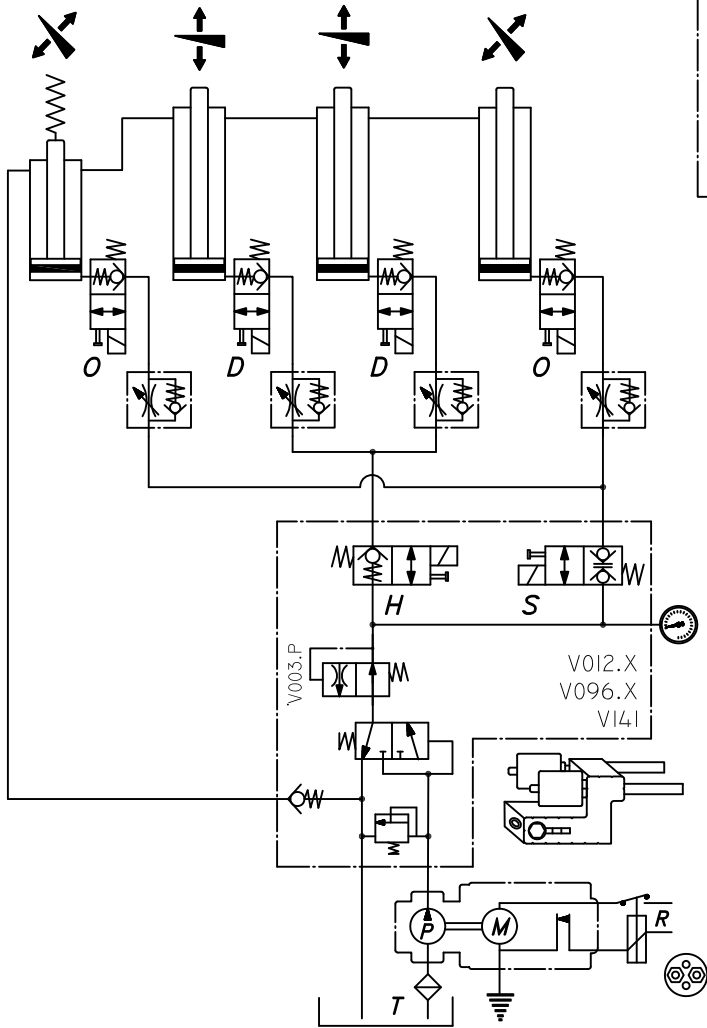


COLOUR CODES  
 DIN 47100

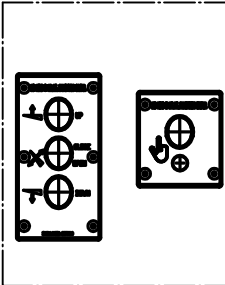
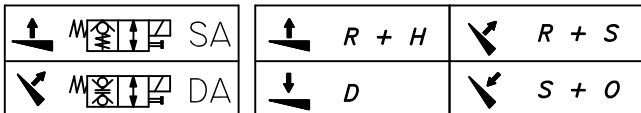
- 1=WH
- 2=BN
- 3=GN
- 4=YE
- 5=GY
- 6=PK
- 7=BU
- 8=RD
- 9=BK



DH-LM\* / LC\*

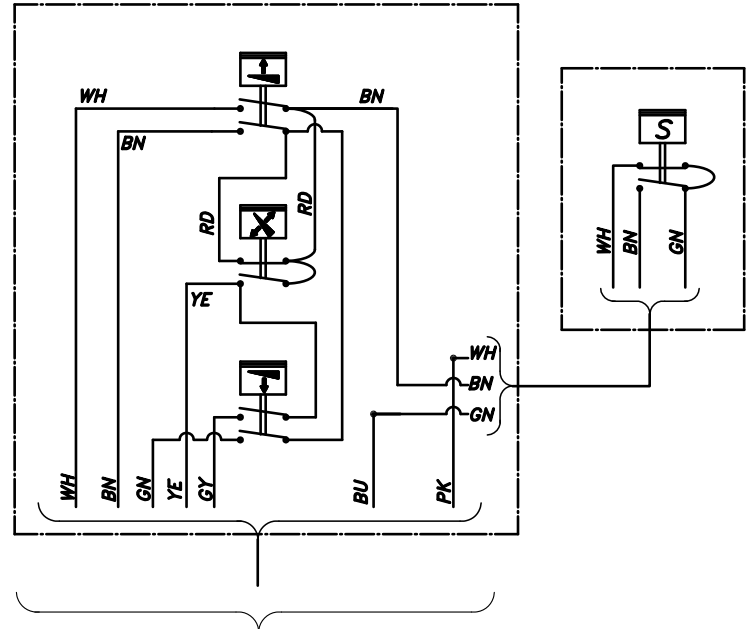


MECH - X



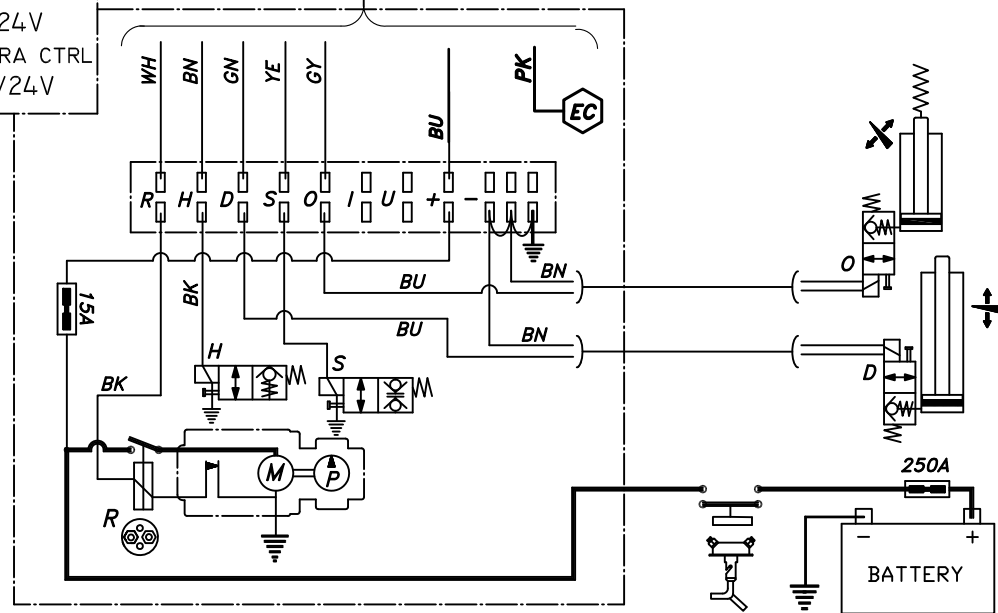
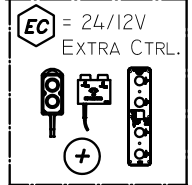
WH -> R  
 BN -> H  
 GN -> D  
 YE -> S  
 GY -> O  
 PK -> +12/24V  
 EXTRA CTRL  
 BU -> +12/24V

E0793.31.0.M

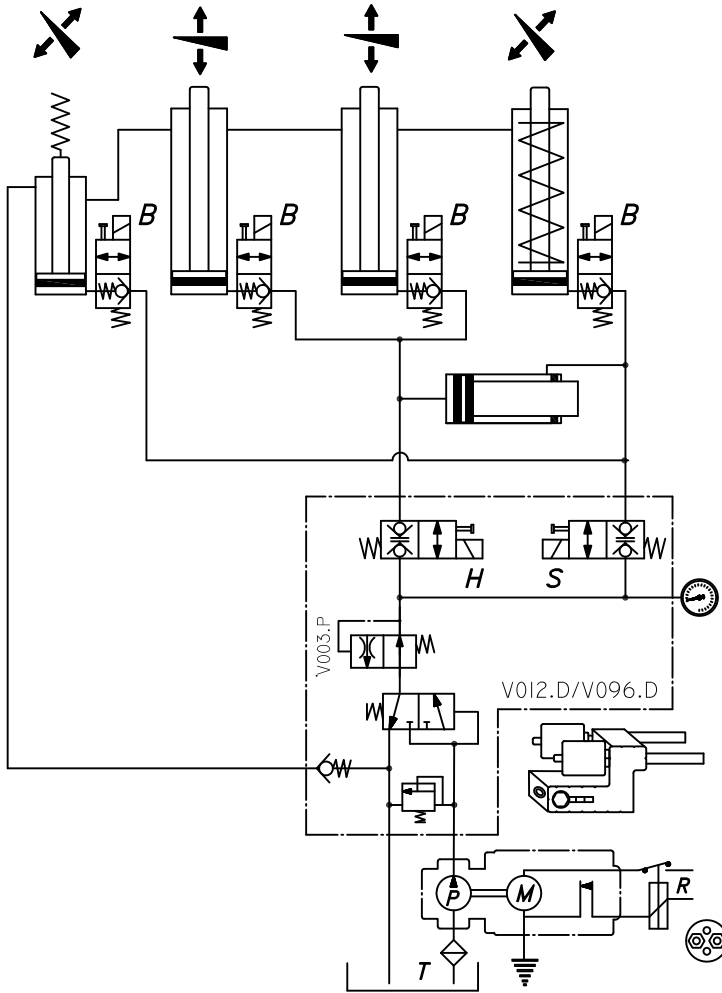


COLOUR CODES  
 DIN 47100

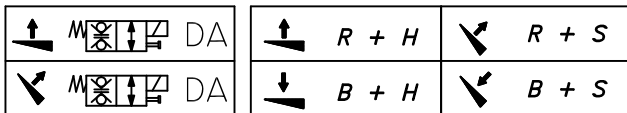
- 1=WH
- 2=BN
- 3=GN
- 4=YE
- 5=GY
- 6=PK
- 7=BU
- 8=RD
- 9=BK



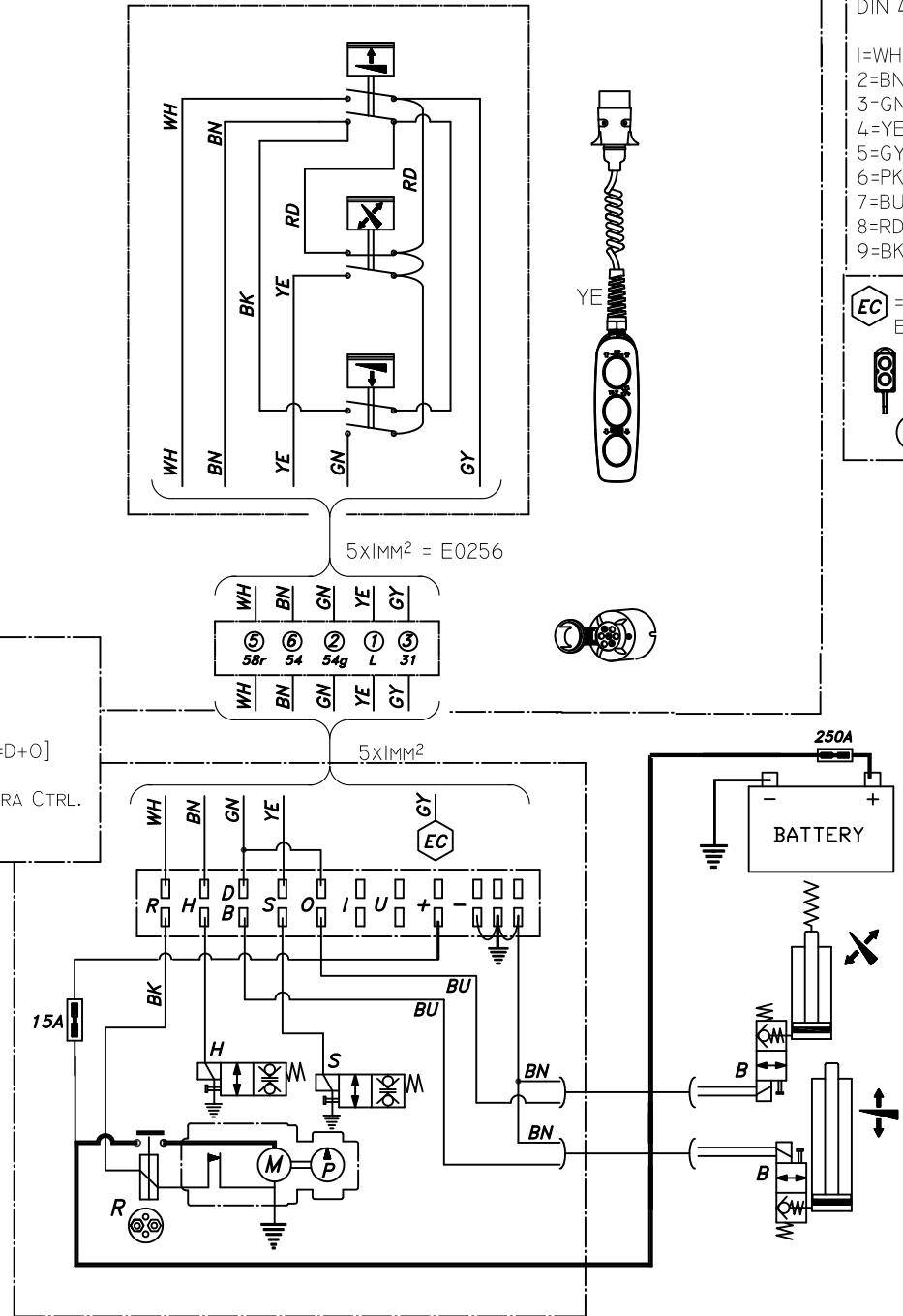
DH-LSU / DH-LS\*



HYDR.



WH-> R  
 BN-> H  
 GN-> B [B=D+O]  
 YE-> S  
 GY->+ EXTRA CTRL.



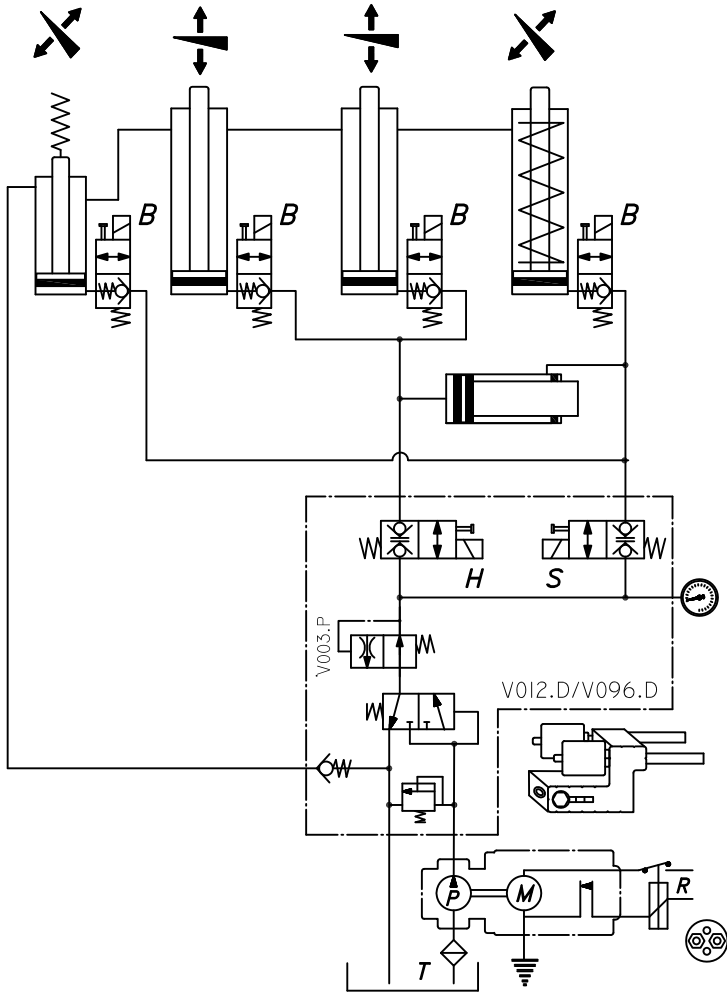
COLOUR CODES  
 DIN 47100

- 1=WH
- 2=BN
- 3=GN
- 4=YE
- 5=GY
- 6=PK
- 7=BU
- 8=RD
- 9=BK

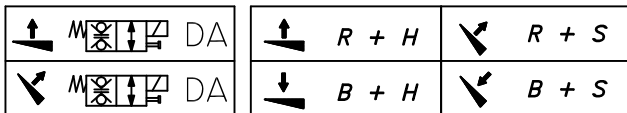
EC = 24/12V  
 EXTRA CTRL

+

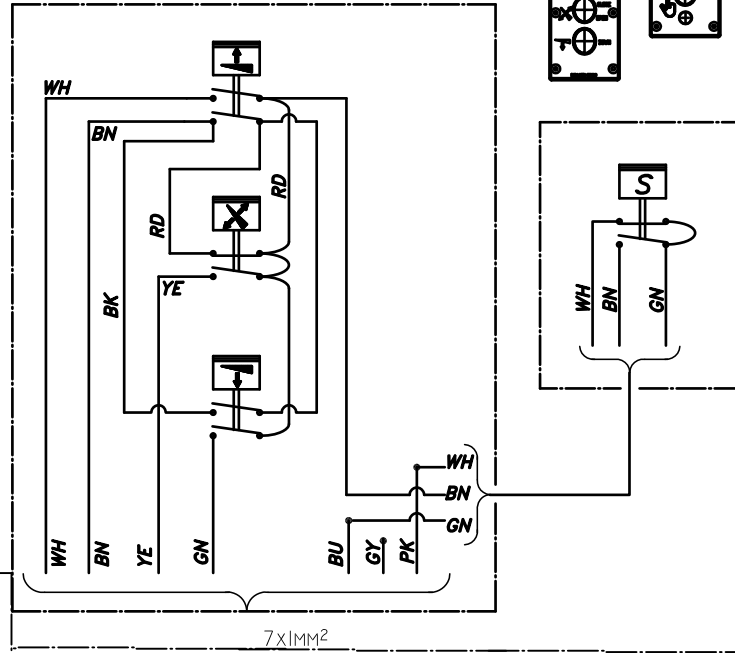
DH-LSU / DH-LS\*



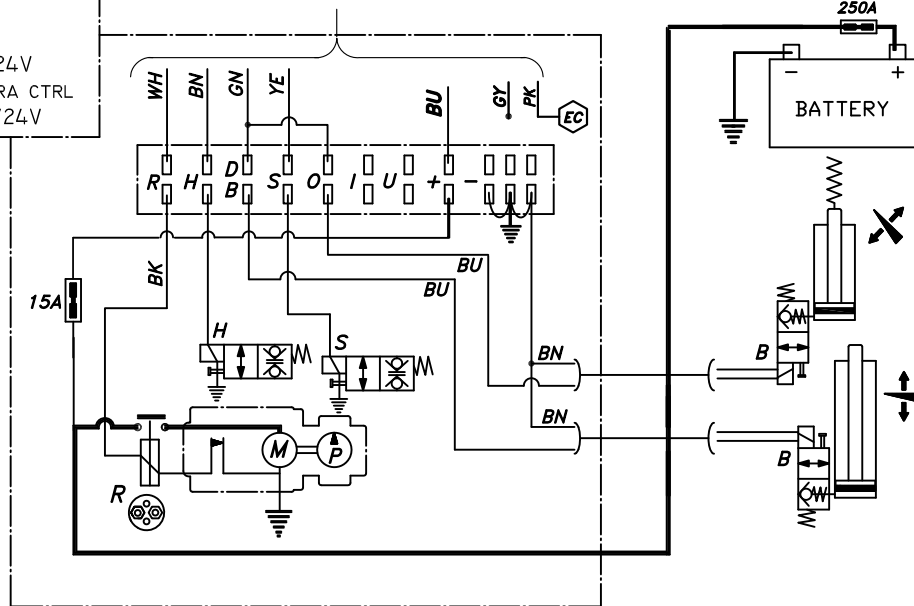
HYDR.



E0793.31.0.H



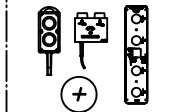
WH-> R  
 BN-> H  
 GN-> B [B=D+O]  
 YE-> S  
 GY->  
 PK-> +12/24V  
 EXTRA CTRL  
 BU-> + 12/24V



COLOUR CODES  
 DIN 47100

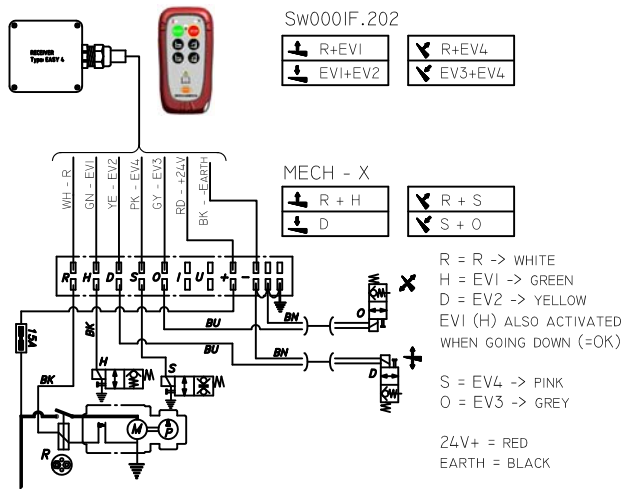
- 1=WH
- 2=BN
- 3=GN
- 4=YE
- 5=GY
- 6=PK
- 7=BU
- 8=RD
- 9=BK

EC = 24/12V  
 EXTRA CTRL

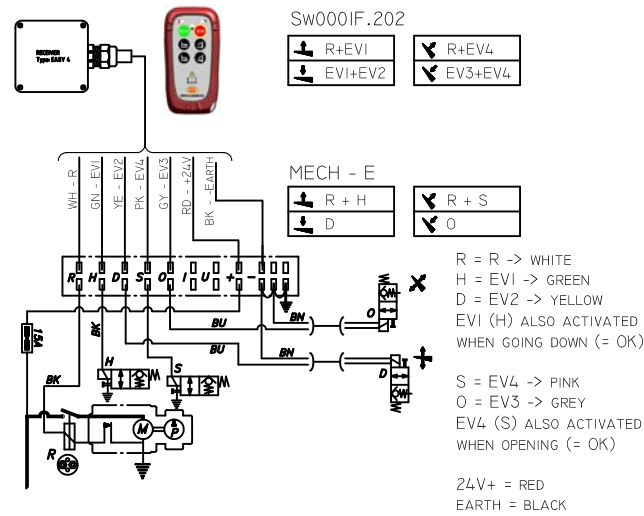


E0452.S.4 ~ 4 BTN WIRELESS REMOTE CONTROL

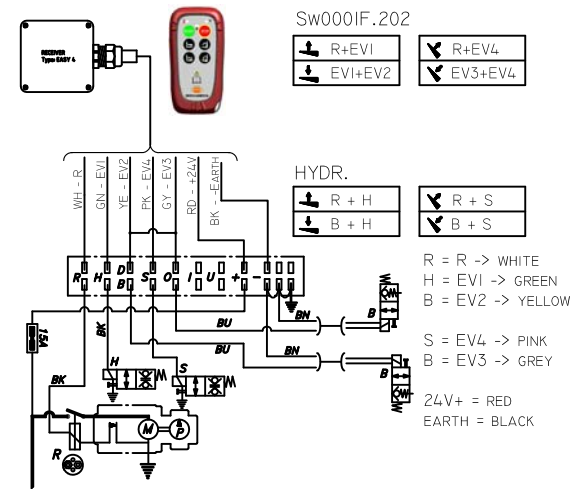
MECH - X



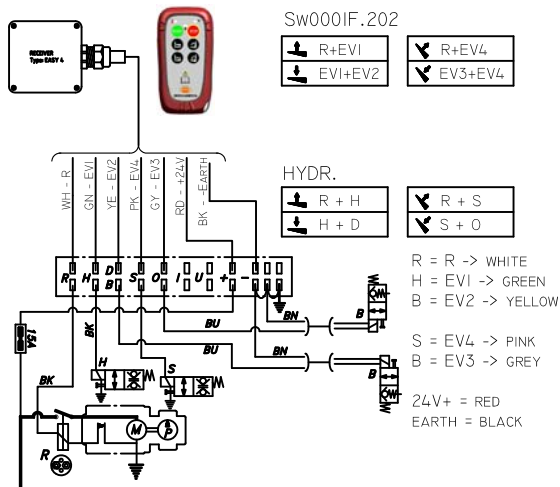
MECH - E



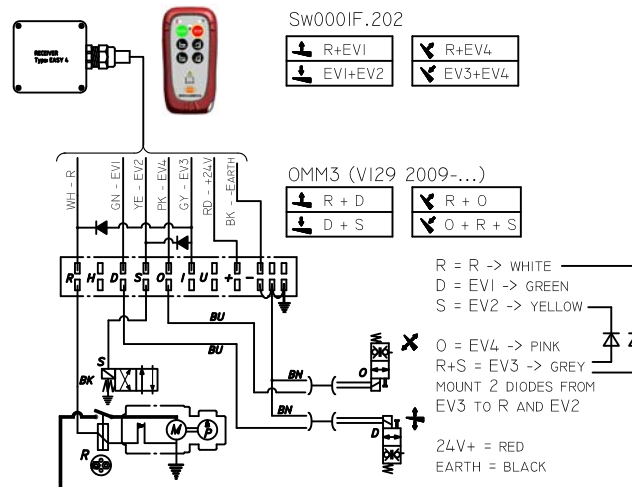
HYDR



MECH DW



OMM3 (VI29 2009-...)



Plan N° : Sch\_E0452 radio ctrl-2011-01

Type : Wiring schemes for E0452... wireless remote controls  
Power pack : -  
Valve : -

Date : 13/05/2011

DEHOLLANDIA

