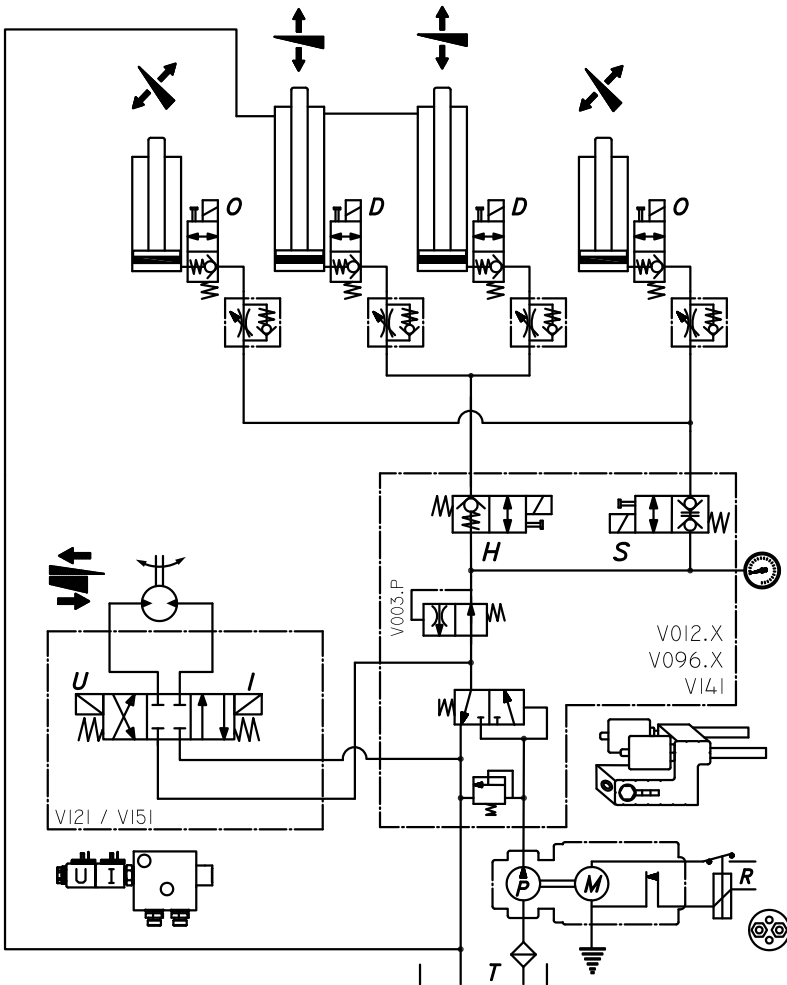
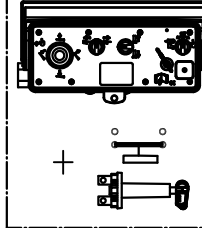


DH-SM* / SMR*



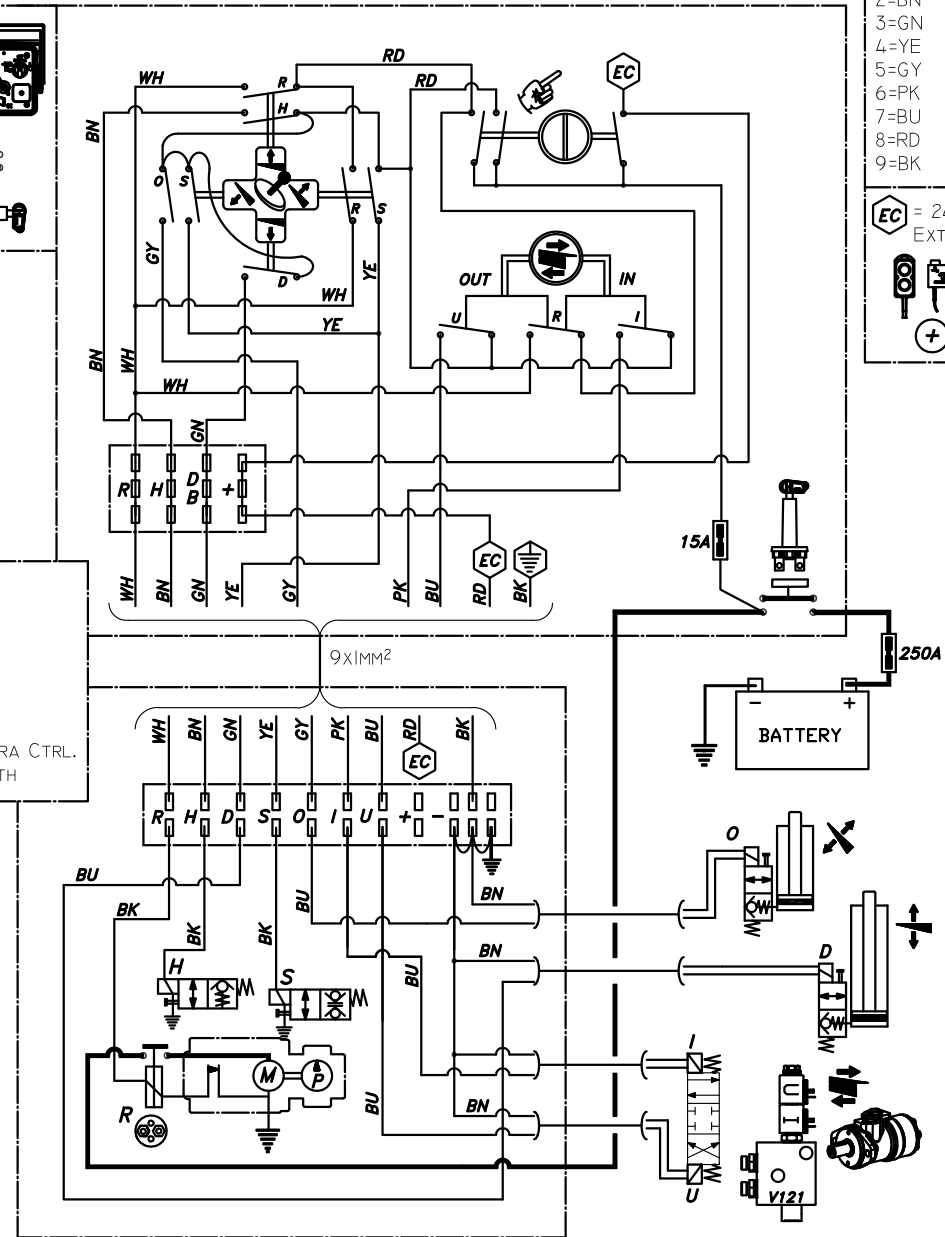
MECH - X

OAE030.BT



EXTERIOR CONTROL BOX REF. ED203.T0 / ED223.T0

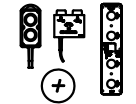
WH-> R
 BN-> H
 GN-> D
 YE-> S
 GY-> O
 PK-> I
 BU-> U
 RD-> + EXTRA CTRL.
 BK-> - EARTH



COLOUR CODES
 DIN 47100

- 1=WH
- 2=BN
- 3=GN
- 4=YE
- 5=GY
- 6=PK
- 7=BU
- 8=RD
- 9=BK

EC = 24/12V
 EXTRA CTRL.



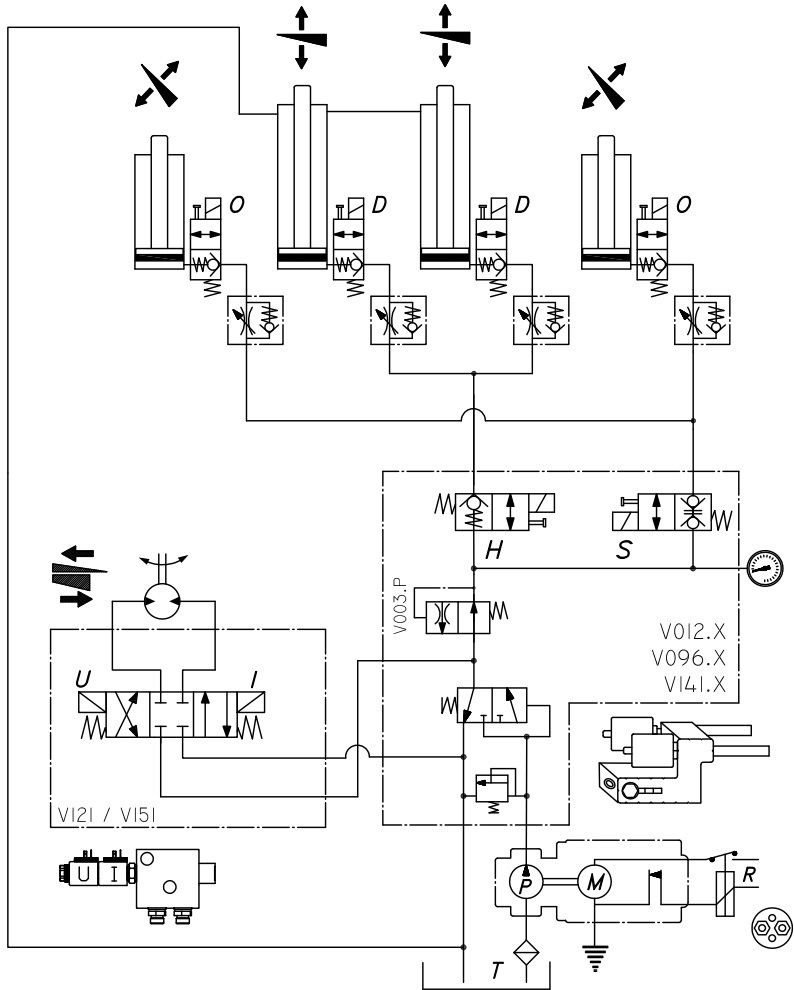
Type : SLIDER LIFT DH-SM* (MECH-X) + HYDROMOTOR - 2010/...
 Power pack : GT-SX-motor pump-...
 Valve : V012.X / V096.X

Plan N° : Sch_SM-MECH-X-OAE030.BT-2013-01

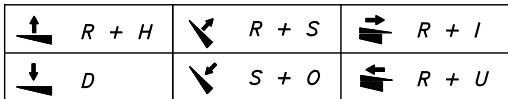
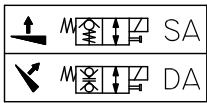
Date : 14/08/2013

DEHOLLANDIA

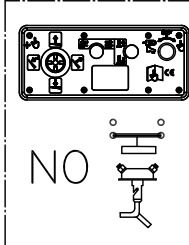
DH-SM* / SMR*



MECH - X

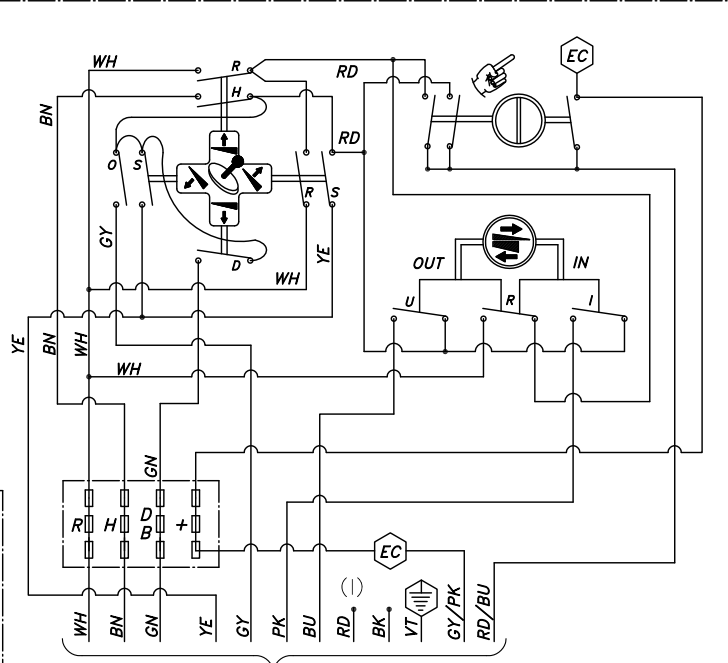


OAE030.ZT

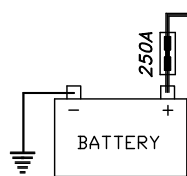


WH-> R
 BN-> H
 GN-> D
 YE-> S
 GY-> O
 PK-> I
 BU-> U
 RD-> + 24V LIGHTS
 +12V LIGHTS
 (IF S008.Z + S070)
 BK->
 VT-> - EARTH
 GY/PK-> + EXTRA CTRL.
 RD/BU-> + 24/12V

EXTERIOR CONTROL REF. EC203T0 (OR K0) / EC223T0 (OR K0)



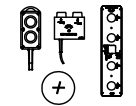
OPTION
 OAE038.A



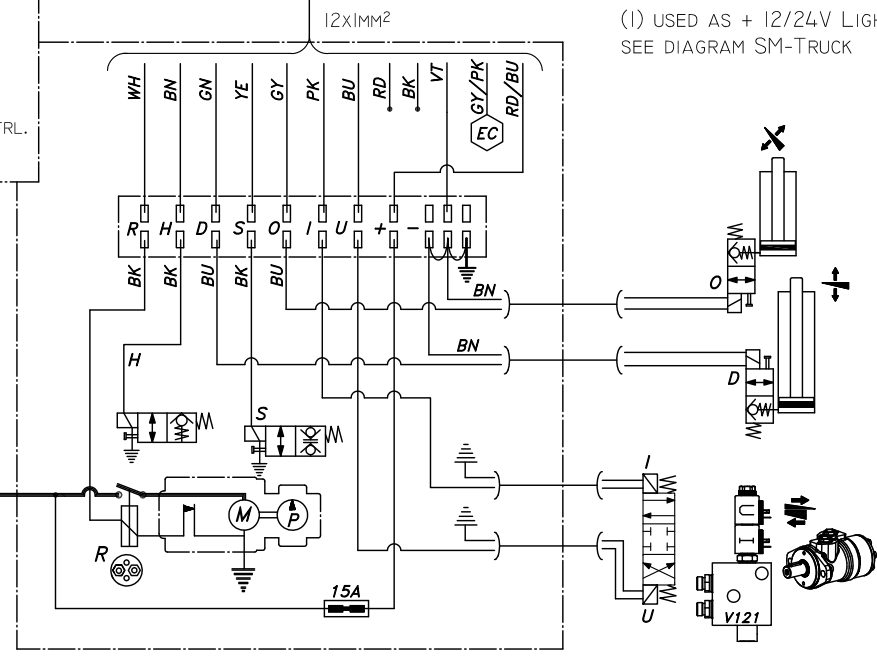
COLOUR CODES
 DIN 47100

- 1=WH
- 2=BN
- 3=GN
- 4=YE
- 5=GY
- 6=PK
- 7=BU
- 8=RD
- 9=BK

EC = 24/12V
 EXTRA CTRL.



(I) USED AS + 12/24V LIGHTS
 SEE DIAGRAM SM-TRUCK



Type : SLIDER LIFT DH-SM + OAE030.ZT (MECH-X) - 2010/...
 Power pack : GT-SX-motor pump-... Valve : V012.X / V096.X
 Plan N° : Sch_SM-MECH.X-OAE030.ZT-2013-01

Date : 28/10/2013

DHOLLANDIA

